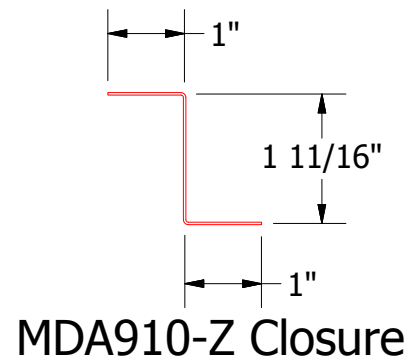
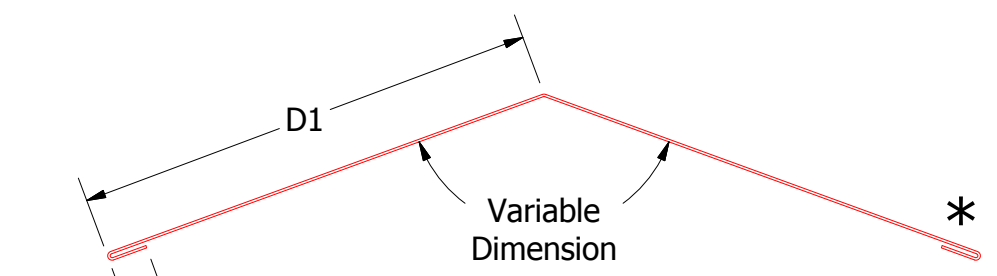


Factory Pre Notched Hip Z Closure

*Right and Left sides are made depending on Panel and Roof Slopes.



MDA910-Z Closure



Hip Cap

- MDA315-2:12 to 6:12 Slope
D1=6"
- MDA316-6:12 to 9:12 Slope
D1=7"
- MDA317-9:12 to 12:12 Slope
D1=8"

Dutch Seam Hip Detail

REV. NO.	DATE	DESCRIPTION OF REVISION	BY	APP	TITLE	DWG. NO.	DR	KRK	DATE	1/28/2015
							APP		DATE	
							SH. SIZE	B	SCALE	X:X

Note: Neoprene Closures are not required if Factory Pre Notched Z Closures are utilized.