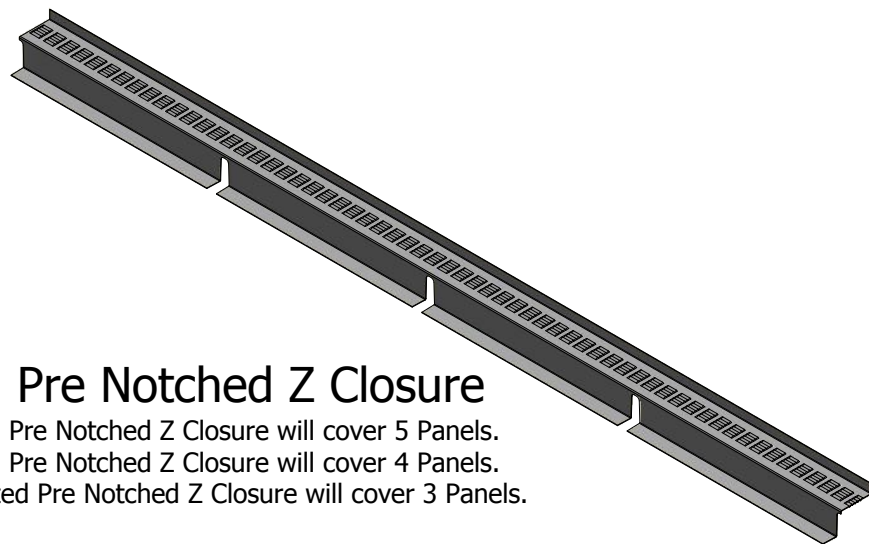
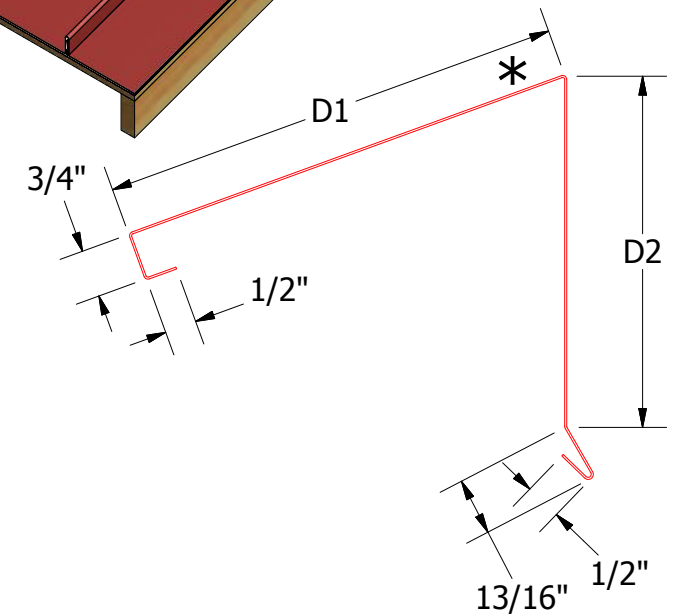
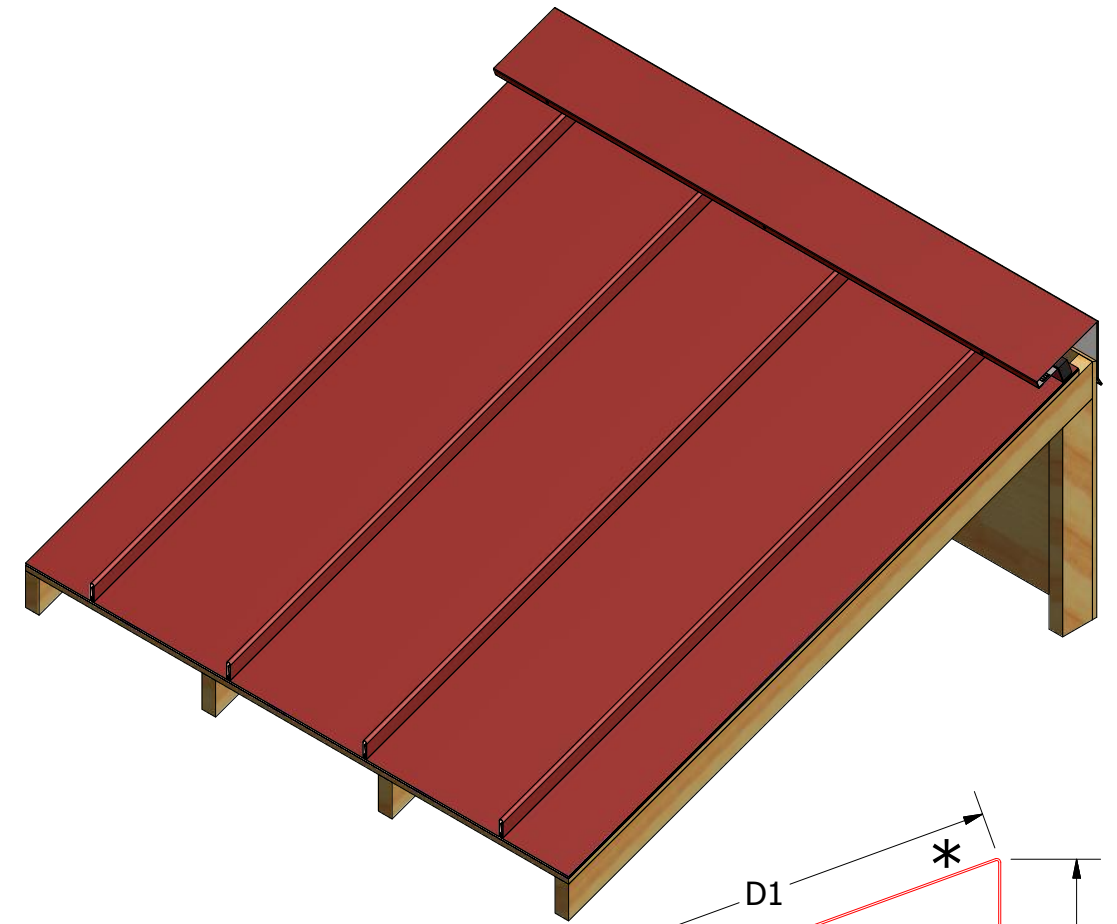
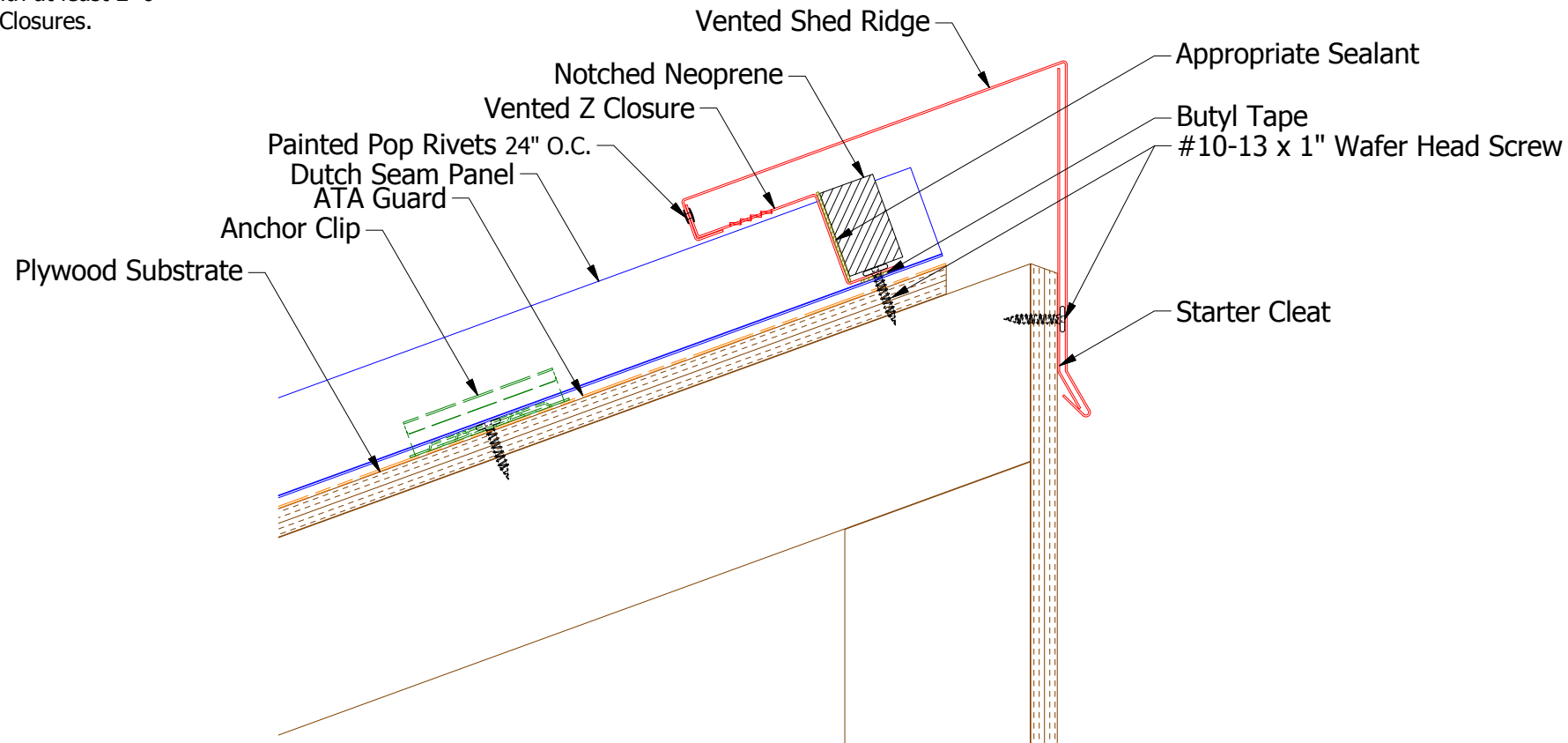
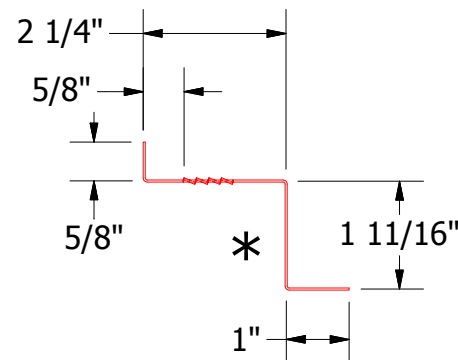


**Note:** Start/End Vented Z Closure runs with at least 2'-0" of Non-Vent Z Closures.

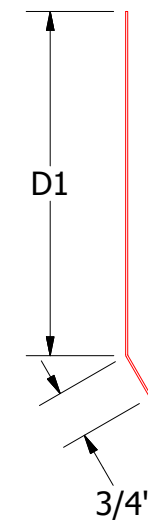


### Factory Vented Pre Notched Z Closure

- 11" Panel** - Factory Vented Pre Notched Z Closure will cover 5 Panels.
- 15" Panel** - Factory Vented Pre Notched Z Closure will cover 4 Panels.
- 19 1/4" Panel** - Factory Vented Pre Notched Z Closure will cover 3 Panels.



MDA911-Vented Z Closure

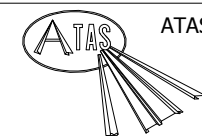


### Vented Shed Ridge Cleat

- MDA361**-2:12 to 6:12 Slope  
D1=5 3/8"
- MDA368**-6:12 to 9:12 Slope  
D1= 5 5/8"
- MDA369**-9:12 to 12:12 Slope  
D1=5 7/8"

### Vented Shed Ridge

- MDA362**-2:12 to 6:12 Slope  
D1=7 1/4" / D2=5 1/2"
- MDA364**-6:12 to 9:12 Slope  
D1=8 1/4" / D1=5 3/4"
- MDA366**-9:12 to 12:12 Slope  
D1=9 1/4" / D2=6"



ATAS INTERNATIONAL, INC  
Allentown PA  
610-395-8445  
Mesa AZ  
480-558-7210

**Note:** Neoprene Closures are not required if Factory Pre Notched Z Closures are utilized.

REV. NO.	DATE	DESCRIPTION OF REVISION	BY	APP	TITLE	DR	DATE
					Dutch Seam Vented Shed Ridge Detail	DR	2/5/2015
						APP	
						SH. SIZE	B
						SCALE	X:X