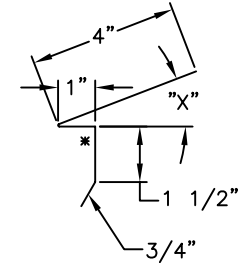
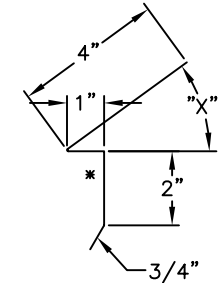
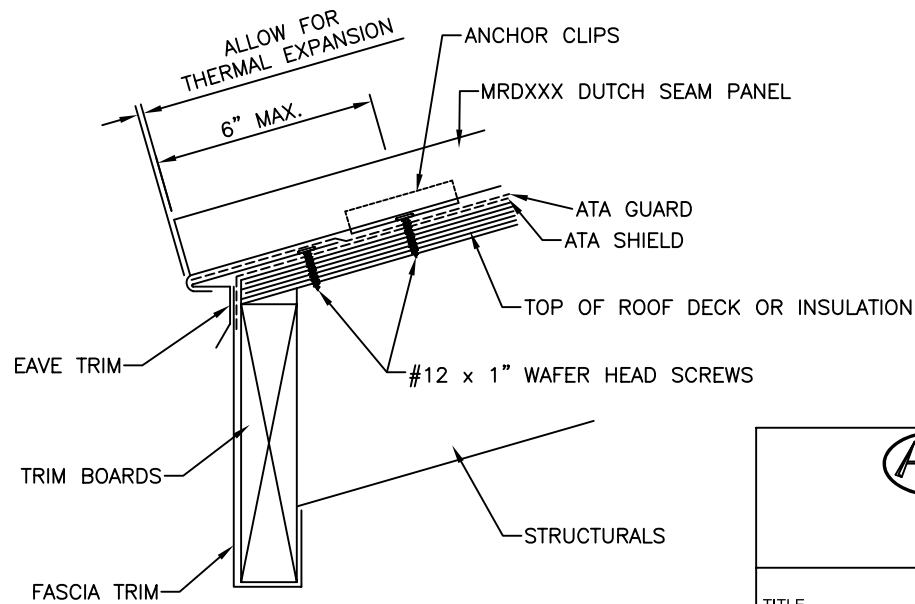


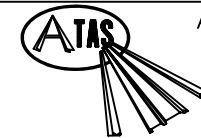
⑤ - EAVE TRIM - MDA111
For roof slopes 2/12 to 4/12



⑤ - EAVE TRIM - MDA112
For roof slopes 4/12 to 8/12



⑤ - EAVE TRIM - MDA113
For roof slopes 8/12 to 12/12



ATAS INTERNATIONAL, INC.
Allentown PA
610-395-8445
Mesa AZ
480-558-7210

TITLE										MRD Eave - Ply			
DWG NO. / FILE NO.		MRD Eave - Ply						SCALE		3"=1'-0"			
DRAWN BY	DAS	DATE	3-6-06	APPR. BY	JEB	DATE	5-31-06						
REVISION NO.	XXXX	REVISION DATE	MM/DD/YY	APPR. BY	XXXX	APPR. DATE	MM/DD/YY						

Rev. No.	Revision Date	Drawn By	Description of Revision
0	5-31-06	DAS	MRD Eave - Ply