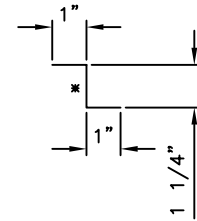
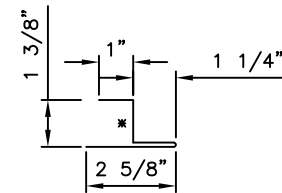


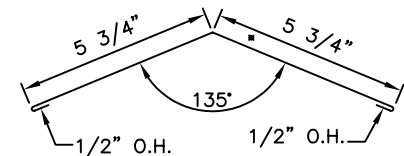
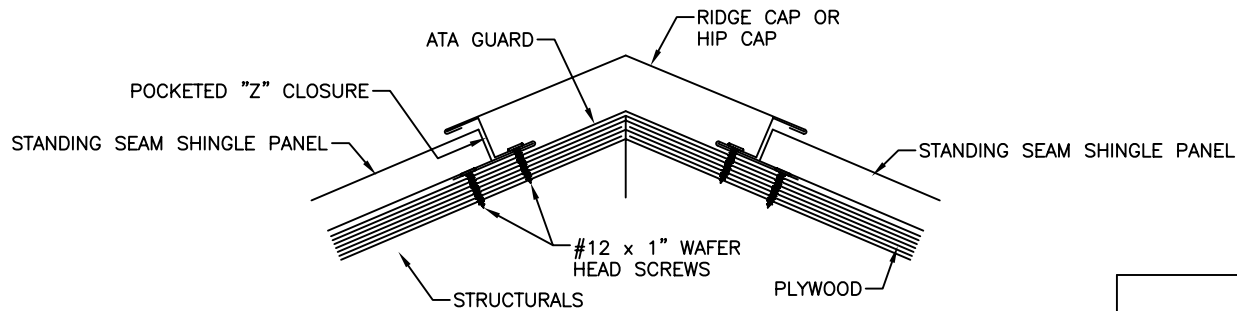
ALTERNATE - USE STANDARD 'Z' CLOSURE IN PLACE OF POCKETED 'Z' CLOSURE. POCKETED 'Z' CLOSURE MUST BE CUT TO FIT BETWEEN THE SEAMS.



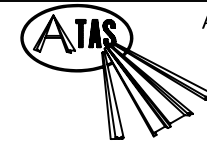
'Z' CLOSURE



HSA910 POCKETED 'Z' CLOSURE



HSA300 Ridge Cap
HSA300 Hip Cap



ATAS INTERNATIONAL, INC.

Allentown PA
610-395-8445
Mesa AZ
480-558-7210

TITLE		Standing Seam Hip Ridge - ply					
DWG NO. / FILE NO.		Standing Seam Hip Ridge - ply				SCALE	3"=1'-0"
DRAWN BY	DAS	DATE	3-6-06	APPR. BY	JEB	DATE	6-5-06
REVISION NO.	XXXX	REVISION DATE	MM/DD/YY	APPR. BY	XXXX	APPR. DATE	MM/DD/YY

Rev. No.	Revision Date	Drawn By	Description of Revision
0	6-5-06	DAS	Standing Seam Hip Ridge - ply