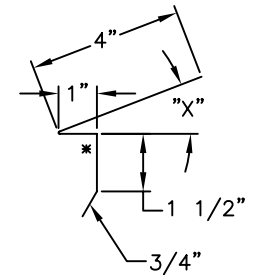
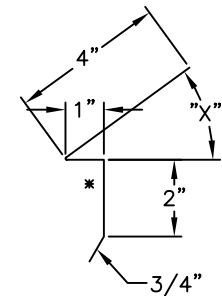


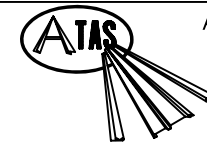
EAVE TRIM
For roof slopes 2/12 to 4/12



EAVE TRIM
For roof slopes 4/12 to 8/12



EAVE TRIM
For roof slopes 8/12 to 12/12



ATAS INTERNATIONAL, INC.
Allentown PA
610-395-8445
Mesa AZ
480-558-7210

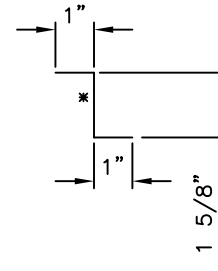
TITLE **FLM Eave - Ply**

DWG NO. / FILE NO. **FLM Eave - Ply** SCALE **3"=1'-0"**

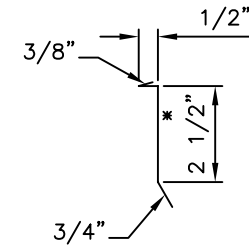
DRAWN BY **DAS** DATE **3-6-06** APPR. BY **JEB** DATE **5-31-06**

REVISION NO. **XXXX** REVISION DATE **MM/DD/YY** APPR. BY **XXXX** APPR. DATE **MM/DD/YY**

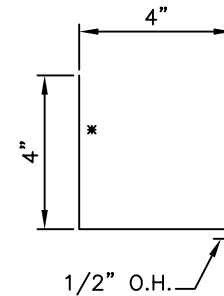
Rev. No.	Revision Date	Drawn By	Description of Revision
0	5-31-06	DAS	FLM Eave - Ply



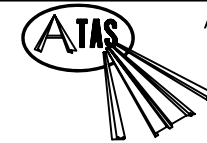
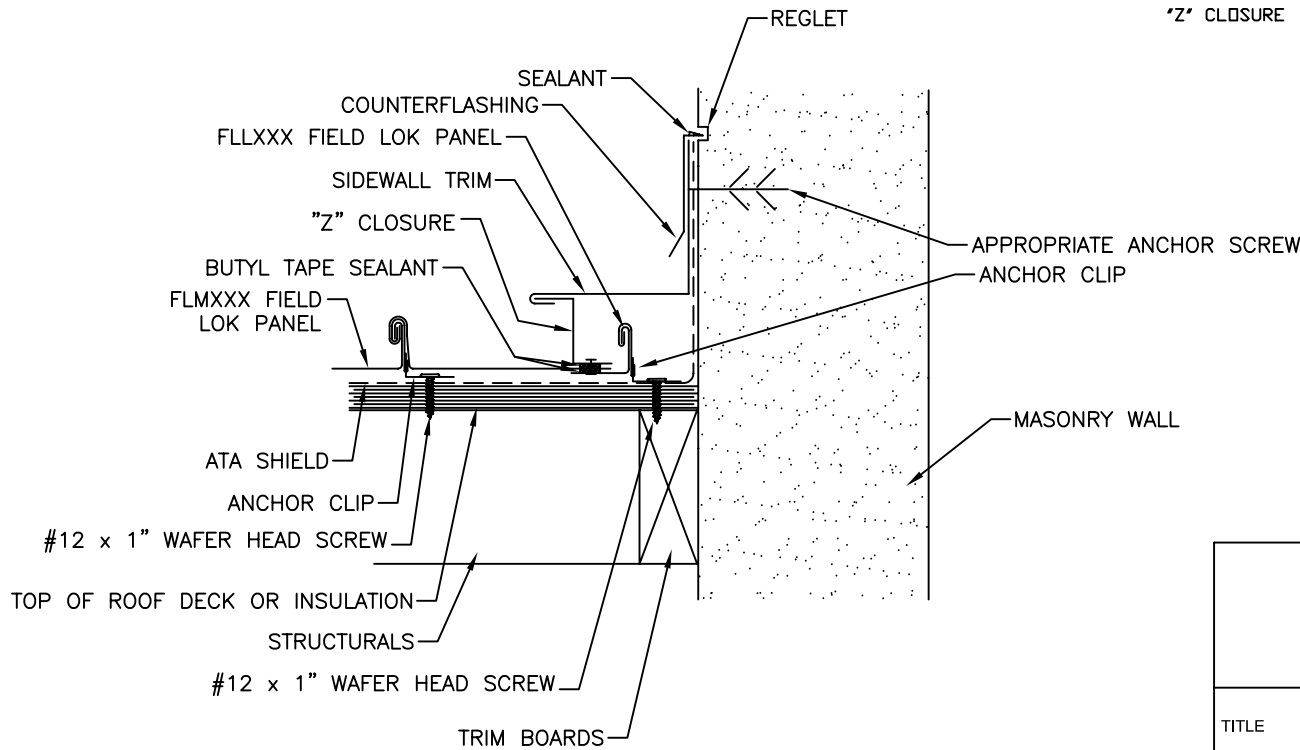
'Z' CLOSURE



COUNTERFLASHING



SIDEWALL TRIM



ATAS INTERNATIONAL, INC.

Allentown PA
610-395-8445
Mesa AZ
480-558-7210

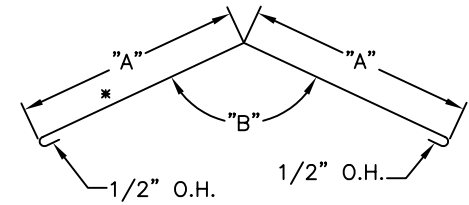
TITLE **FLM Ending Rake Sidewall - Ply**

DWG NO. / FILE NO. **FLM Ending Rake Sidewall - Ply** SCALE **3"=1'-0"**

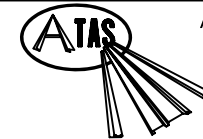
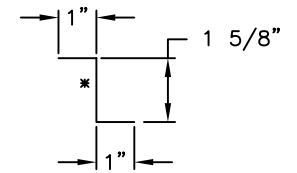
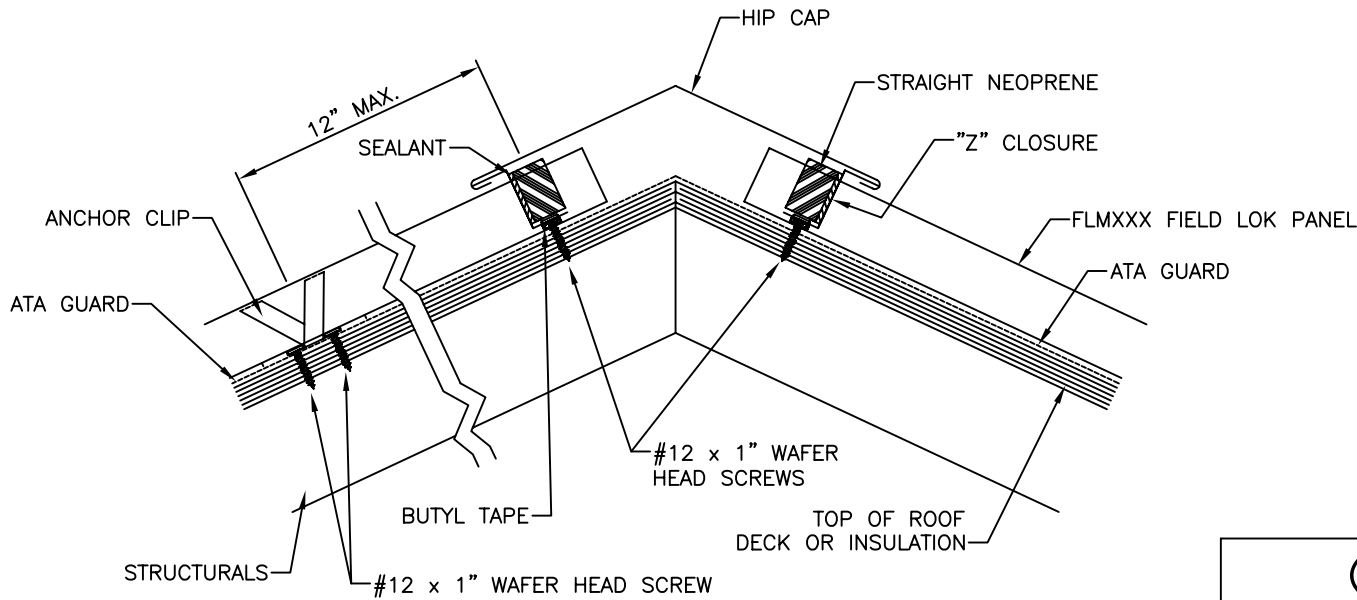
DRAWN BY **DAS** DATE **3-6-06** APPR. BY **JEB** DATE **5-31-06**

REVISION NO. **XXXX** REVISION DATE **MM/DD/YY** APPR. BY **XXXX** APPR. DATE **MM/DD/YY**

Rev. No.	Revision Date	Drawn By	Description of Revision
0	5-31-06	DAS	FLM Ending Rake Sidewall - Ply



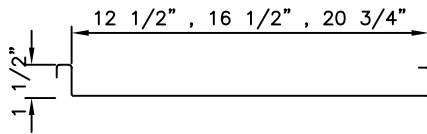
DIM. "A" AND ANGLE "B" TO BE SPECIFIED BY CUSTOMER OR FURNISH ATAS WITH THE ROOF SLOPES INVOLVED.



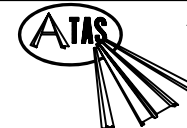
ATAS INTERNATIONAL, INC.
 Allentown PA
 610-395-8445
 Mesa AZ
 480-558-7210

TITLE		FLM Hip - Ply					
DWG NO. / FILE NO.		FLM Hip - Ply				SCALE	3"=1'-0"
DRAWN BY	DAS	DATE	3-6-06	APPR. BY	JEB	DATE	5-31-06
REVISION NO.	XXXX	REVISION DATE	MM/DD/YY	APPR. BY	XXXX	APPR. DATE	MM/DD/YY

Rev. No.	Revision Date	Drawn By	Description of Revision
0	5-31-06	DAS	FLM Hip - Ply



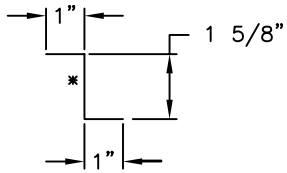
FLM - 1 1/2" Field Lok Panel
Panel Profile



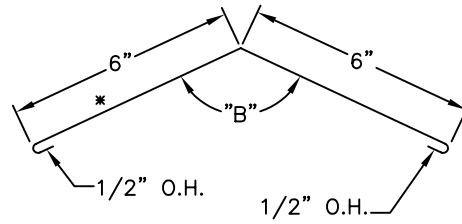
ATAS INTERNATIONAL, INC.
Allentown PA
610-395-8445
Mesa AZ
480-558-7210

TITLE		FLM Panel Profile					
DWG NO. / FILE NO.		FLM Panel Profile				SCALE	1"=1"
DRAWN BY	DAS	DATE	3-6-06	APPR. BY	JEB	DATE	5-31-06
REVISION NO.	XXXX	REVISION DATE	MM/DD/YY	APPR. BY	XXXX	APPR. DATE	MM/DD/YY

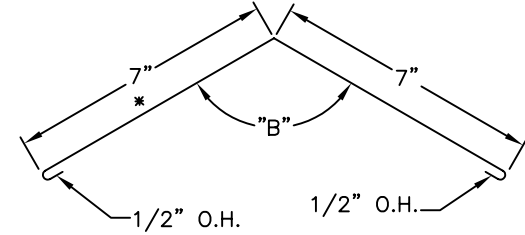
Rev. No.	Revision Date	Drawn By	Description of Revision
0	5-31-06	DAS	FLM Panel Profile



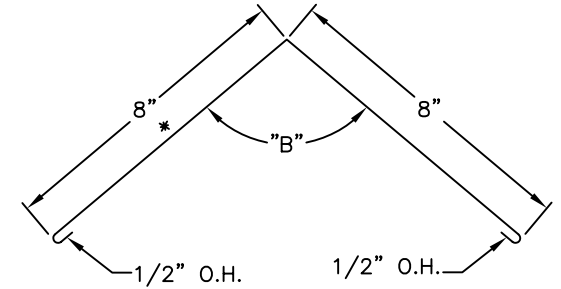
'Z' CLOSURE



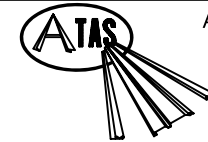
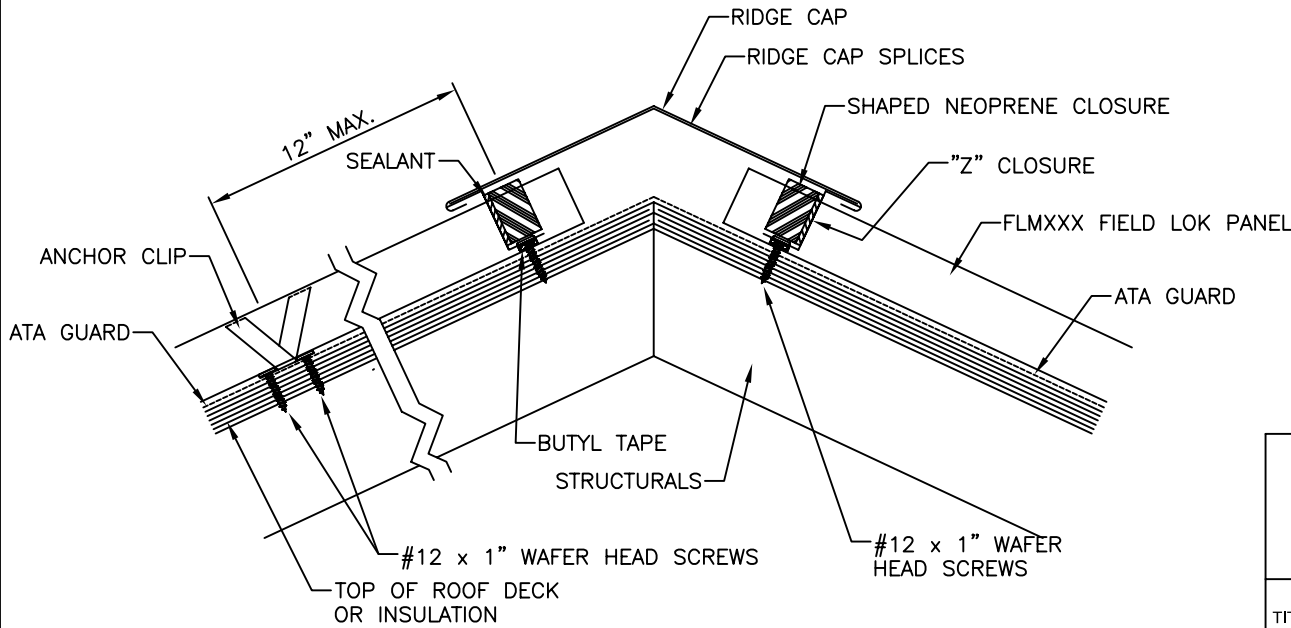
RIDGE CAP
Roof slopes 3/12 to 6/12
Ridge splice to match ridge cap 6' long each: MDA311



RIDGE CAP
Roof slopes 6/12 to 9/12
Ridge splice to match ridge cap 6' long each: MDA312



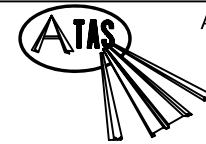
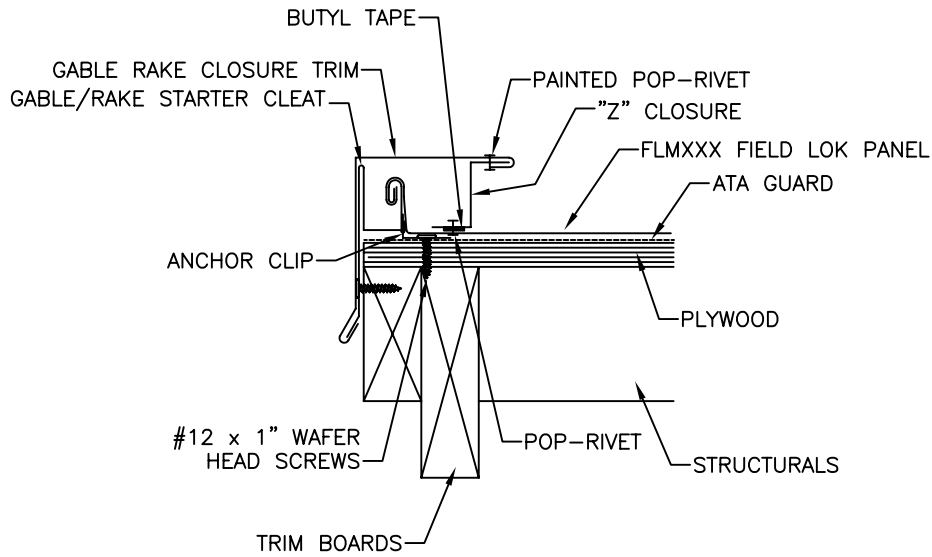
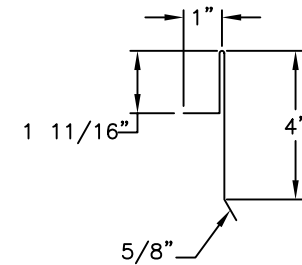
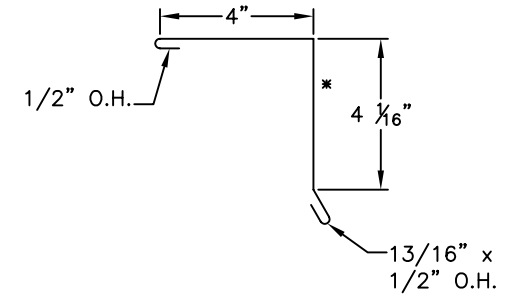
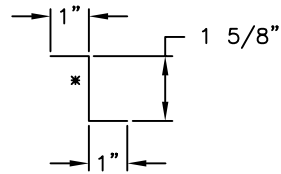
RIDGE CAP
Roof slopes 9/12 to 12/12
Ridge splice to match ridge cap 6' long each: MDA313



ATAS INTERNATIONAL, INC.
Allentown PA
610-395-8445
Mesa AZ
480-558-7210

TITLE		FLM Ridge - Ply					
DWG NO. / FILE NO.		FLM Ridge - Ply				SCALE	3"=1'-0"
DRAWN BY	DAS	DATE	3-6-06	APPR. BY	JEB	DATE	5-31-06
REVISION NO.	XXXX	REVISION DATE	MM/DD/YY	APPR. BY	XXXX	APPR. DATE	MM/DD/YY

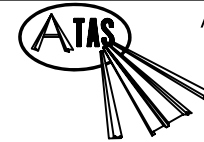
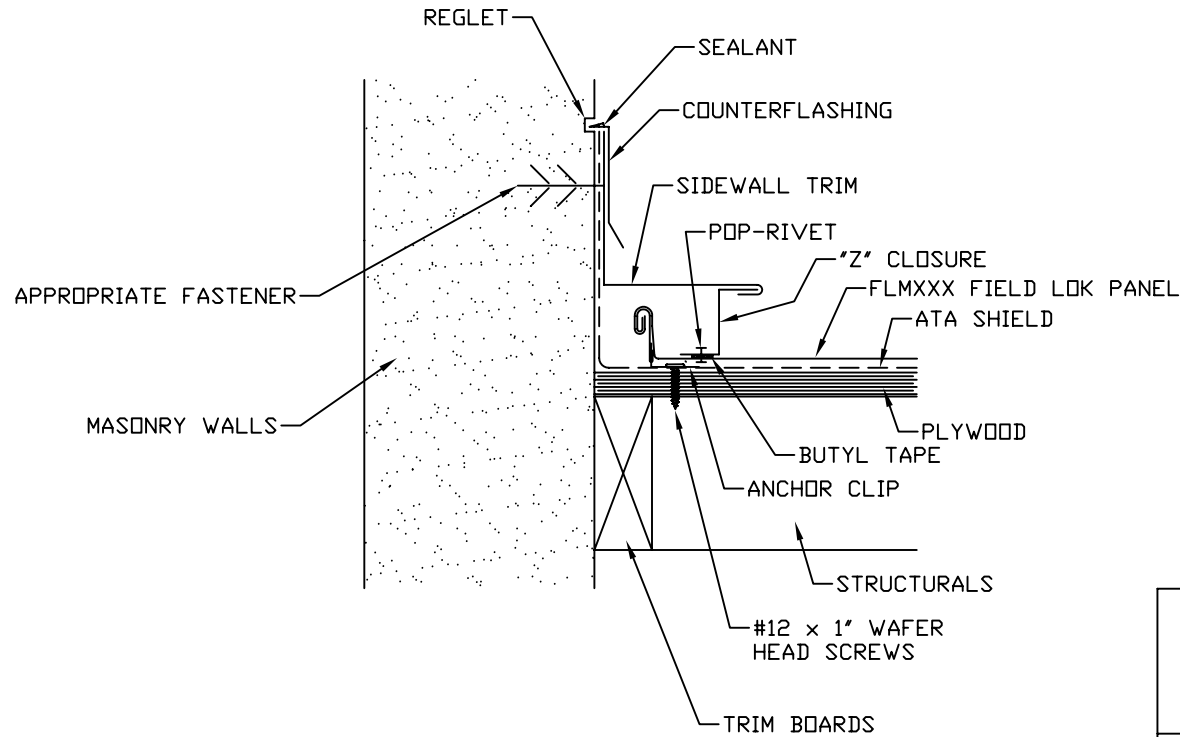
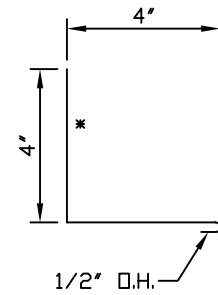
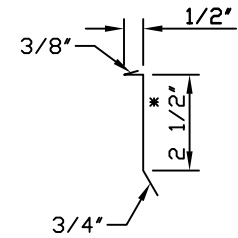
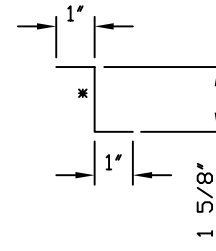
Rev. No.	Revision Date	Drawn By	Description of Revision
0	5-31-06	DAS	FLM Ridge - Ply



ATAS INTERNATIONAL, INC.
 Allentown PA
 610-395-8445
 Mesa AZ
 480-558-7210

TITLE		FLM Starting Gable - Ply					
DWG NO. / FILE NO.		FLM Starting Gable - Ply				SCALE	3"=1'-0"
DRAWN BY	DAS	DATE	3-6-06	APPR. BY	JEB	DATE	5-31-06
REVISION NO.	XXXX	REVISION DATE	MM/DD/YY	APPR. BY	XXXX	APPR. DATE	MM/DD/YY

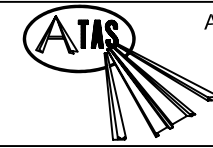
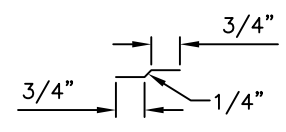
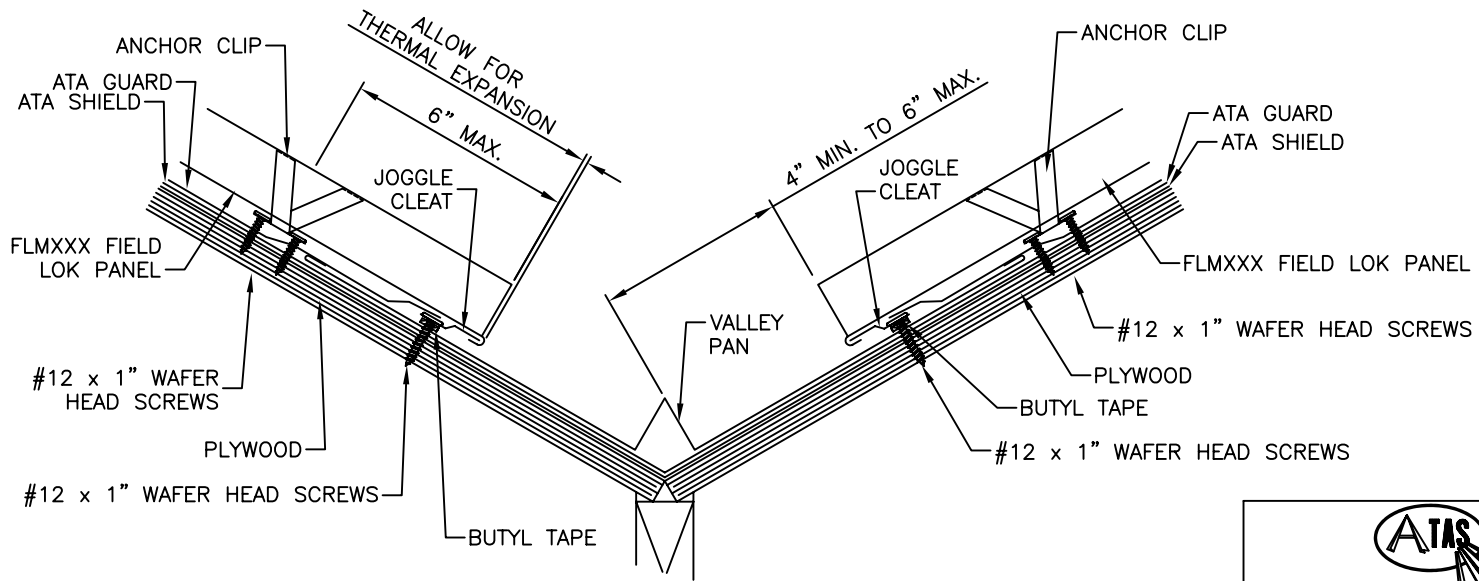
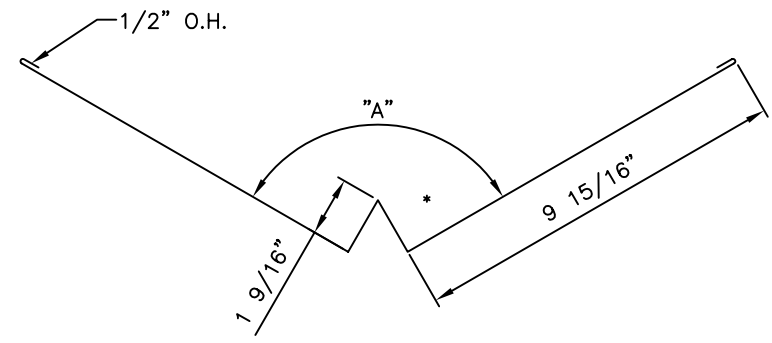
Rev. No.	Revision Date	Drawn By	Description of Revision
0	5-31-06	DAS	FLM Starting Gable - Ply



ATAS INTERNATIONAL, INC.
 Allentown PA
 610-395-8445
 Mesa AZ
 480-558-7210

TITLE		FLM Starting Rake Sidewall - Ply					
DWG NO. / FILE NO.		FLM Starting Rake Sidewall - Ply				SCALE	3"=1'-0"
DRAWN BY	DAS	DATE	3-6-06	APPR. BY	JEB	DATE	5-31-06
REVISION NO.	XXXX	REVISION DATE	MM/DD/YY	APPR. BY	XXXX	APPR. DATE	MM/DD/YY

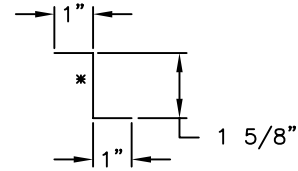
Rev. No.	Revision Date	Drawn By	Description of Revision
0	5-31-06	DAS	FLM Starting Rake Sidewall - Ply



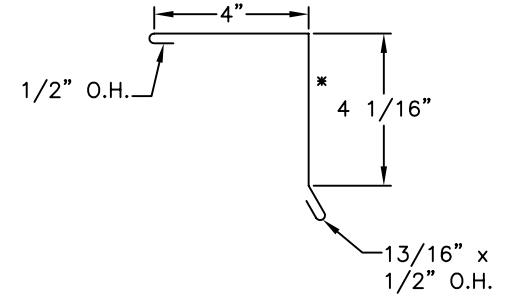
ATAS INTERNATIONAL, INC.
 Allentown PA
 610-395-8445
 Mesa AZ
 480-558-7210

TITLE		FLM Valley - Ply					
DWG NO. / FILE NO.		FLM Valley - Ply				SCALE	3"=1'-0"
DRAWN BY	DAS	DATE	3-6-06	APPR. BY	JEB	DATE	5-31-06
REVISION NO.	XXXX	REVISION DATE	MM/DD/YY	APPR. BY	XXXX	APPR. DATE	MM/DD/YY

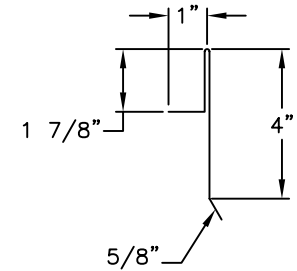
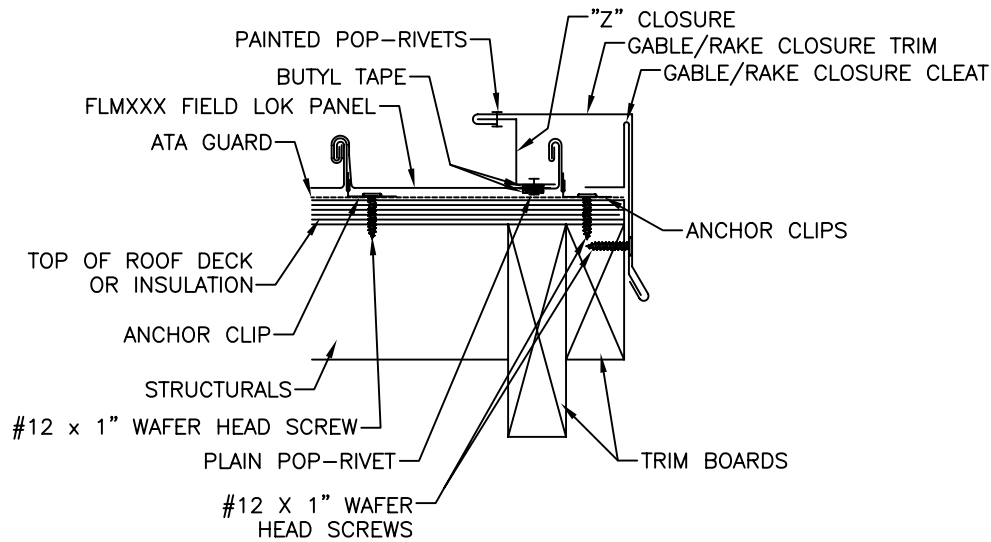
Rev. No.	Revision Date	Drawn By	Description of Revision
0	5-31-06	DAS	FLM Valley - Ply



'Z' CLOSURE



GABLE/RAKE TRIM



GABLE/RAKE STARTER CLEAT



ATAS INTERNATIONAL, INC.
 Allentown PA
 610-395-8445
 Mesa AZ
 480-558-7210

TITLE **FLM Ending Gable - Ply**

DWG NO. / FILE NO. **FLM Ending Gable - Ply** SCALE **3"=1'-0"**

DRAWN BY **DAS** DATE **3-6-06** APPR. BY **JEB** DATE **5-31-06**

REVISION NO. **XXXX** REVISION DATE **MM/DD/YY** APPR. BY **XXXX** APPR. DATE **MM/DD/YY**

Rev. No.	Revision Date	Drawn By	Description of Revision
0	5-31-06	DAS	FLM Ending Gable - Ply