



Embedded Fascia-Box Style - Order/Specification Form

(FOR BUILT UP OR MODIFIED ROOFS)

ATAS International, Inc.

Allentown, PA ~ Mesa, AZ ~ Maryville, TN
800.468.1441 ~ info@atas.com ~ www.atas.com
Fax: Allentown-610.395.9342 ~ Mesa-480.558.7217

COMPANY NAME: _____

PROJECT NAME: _____

CONTACT NAME: _____

LOCATION: _____

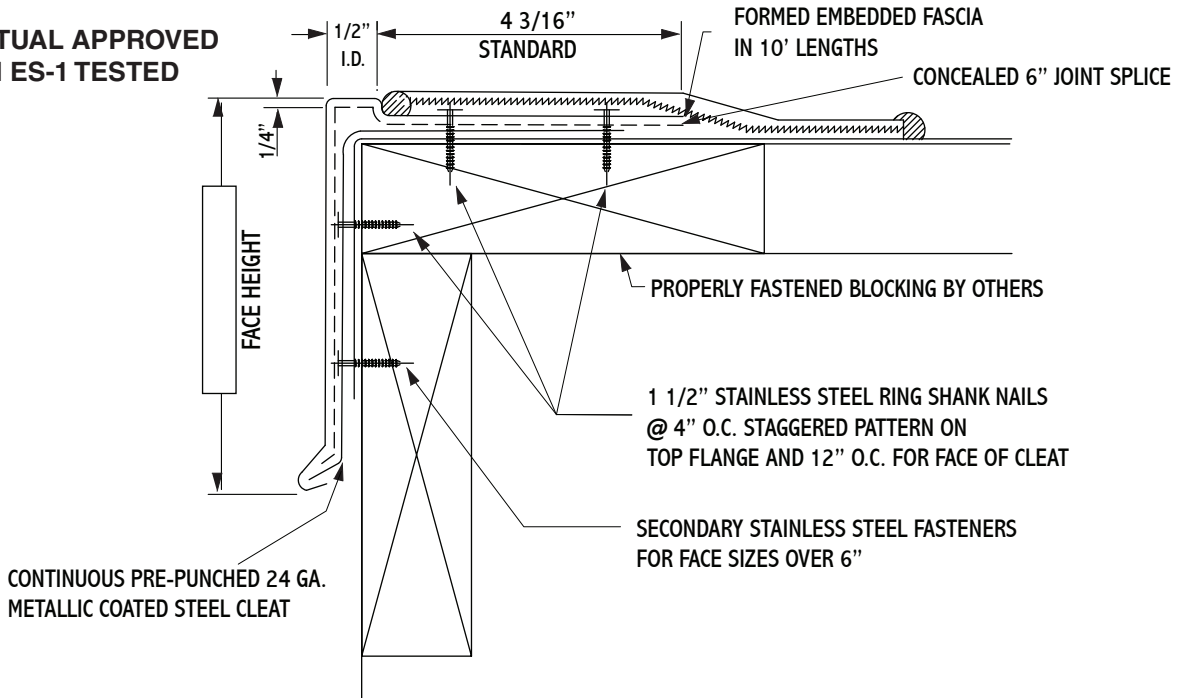
PHONE: _____

SHIP TO: _____

FAX: _____

DATE: _____

**FACTORY MUTUAL APPROVED
ANSI/SPRI ES-1 TESTED**



QUANTITY

- _____ NUMBER OF PIECES
- _____ OUTSIDE CORNERS
- _____ INSIDE CORNERS
- _____ END CAP - L
- _____ END CAP - R
- _____ END TERM - L
- _____ END TERM - R

MATERIALS

- ALUMINUM
- METALLIC COATED STEEL
- THICKNESS**
- .040
- .050
- 24 GA.

ACCESSORY TYPE

- METAL-LOK
- CORNERS
- WELDED
- END CAPS & END TERMINATIONS

FINISH

- PREFINISHED KYNAR 500® PVDF
- PREFINISHED CLEAR ANODIZED (Aluminum Only)

COLOR _____

TRANSMITTAL

- REQUEST FOR QUOTATION
- SUBMIT FOR APPROVAL
- REQUEST FOR INFORMATION
- CONFIRMING TELECONFERENCE
- FOR YOUR FILES

CUSTOMER APPROVAL

AUTHORIZED CUSTOMER SIGNATURE

PRINT NAME

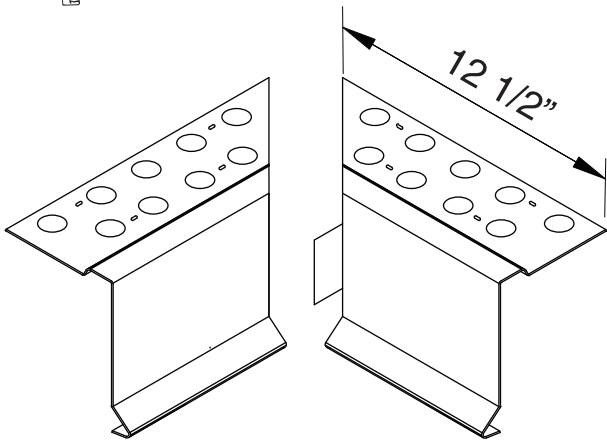
TITLE

DATE

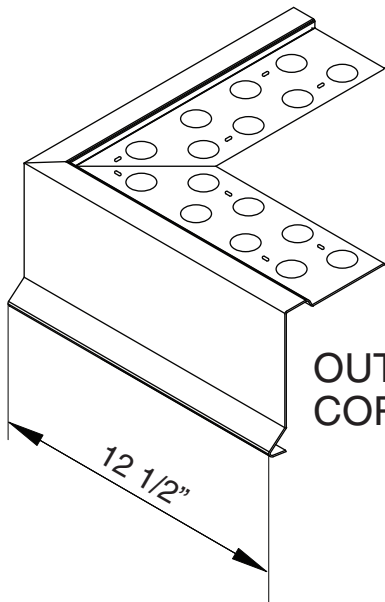
BY _____ DATE _____



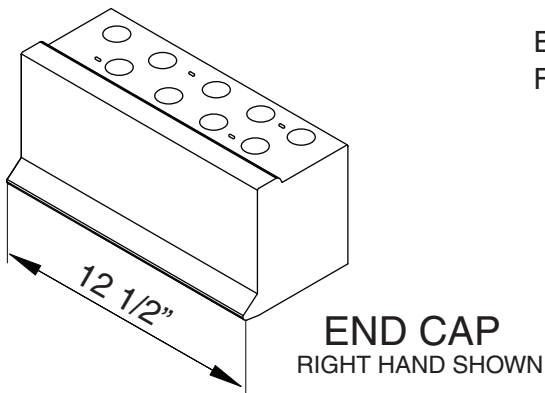
Embedded Fascia - Box Style



INSIDE CORNER

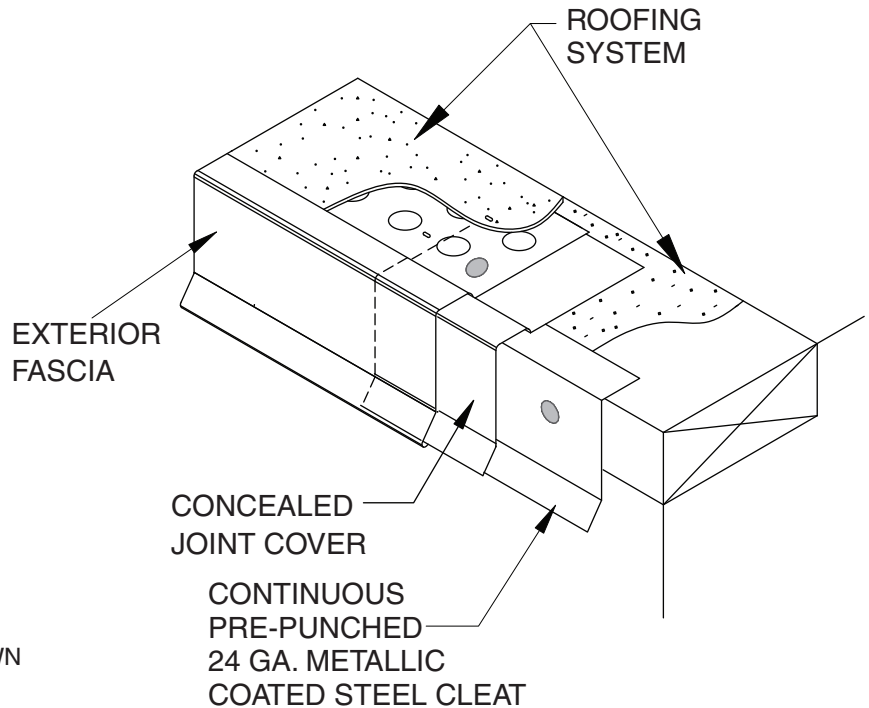
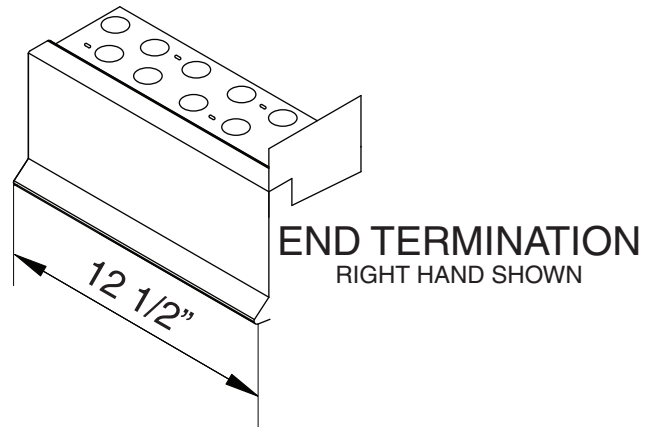


OUTSIDE CORNER



END CAP
RIGHT HAND SHOWN

SKU	FACE HEIGHT IN.	COVERAGE IN.
<input type="checkbox"/> MAB350	3 1/2	2 1/2
<input type="checkbox"/> MAB500	5	4
<input type="checkbox"/> MAB650	6 1/2	5 1/2
<input type="checkbox"/> MAB800	8	7



NOTE: VERIFY ALL INSTALLATION DETAILS FOR ACCEPTANCE BY ROOFING SYSTEM MANUFACTURER

WHEN FACE SIZE EXCEEDS 6", ADDITIONAL FASTENERS ARE REQUIRED ON THE FACE OF CLEAT.

ATAS International, Inc.

Allentown, PA ~ Mesa, AZ ~ Maryville, TN
 800.468.1441 ~ info@atas.com ~ www.atas.com
 Fax: Allentown-610.395.9342 ~ Mesa-480.558.7217

KYNAR 500® PVDF is a trademark of Arkema.