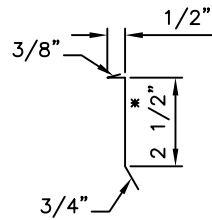
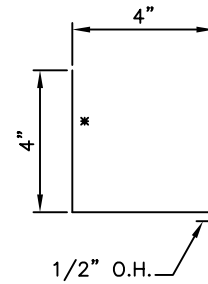


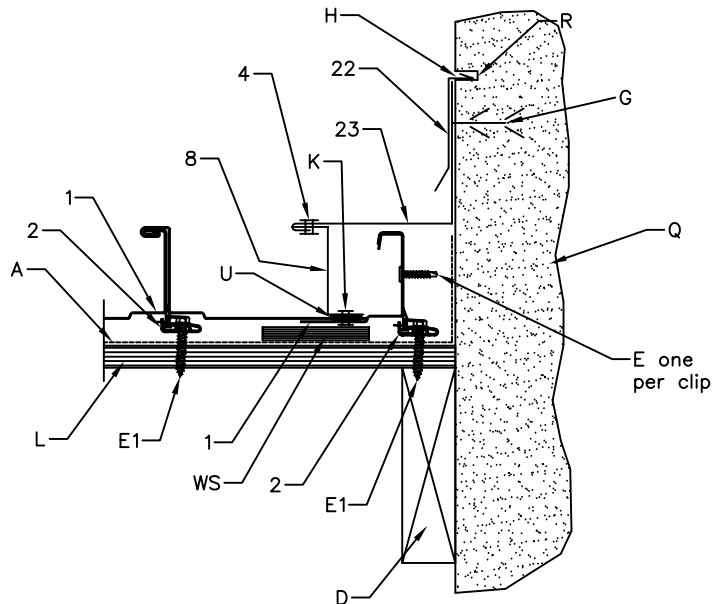
⑧ - FLA212 'Z' CLOSURE



②② - FLA980 COUNTERFLASHING



②③ - FLA410 SIDEWALL TRIM



Legend

As Supplied By ATAS:

- 1 - FLSXXXField Lock Seam Panel
- 2 - Anchor Clips
- 8 - 'Z' Closure
- 22 - Counterflashing
- 23 - Sidewall Trim

As Supplied By Others:

- A - 30# (Minimum) Felt with Rosin Paper
- A1 - 40 MIL Ice & Water Shield
- B - Top of Roof Deck or Insulation
- C - Structurals
- D - Trim Boards
- E - #12 x 1' Wafer Head Screws
- E1 - #12 x 1-1/4' Hex Head Screws
- G - Appropriate anchor screws sufficiently long enough to fully penetrate the solid substrate (Some types/styles available from ATAS.)
- H - Appropriate Type Sealant
- J - Painted Pop-Rivets
- K - Plain Pop-Rivets - Not to penetrate the substrate.
- L - Plywood
- Q - Masonry Walls
- R - Reglets
- U - Butyl Tape Sealant
- WS - Wood Shim 3/8" or 1-3/8"

Field Lock Seam Panel
Ending Rake/Sidewall Detail - plywood
Scale: 3" = 1'-0"

	ATAS INTERNATIONAL, INC. Allentown PA 610-395-8445 Mesa AZ 480-558-7210
--	---

TITLE **FLS Ending Sidewall (Fixed) - ply**

DWG NO. / FILE NO.		FLS Ending Sidewall (Fixed) - ply		SCALE 3"=1'-0"	
DRAWN BY	DAS	DATE	3-6-06	APPR. BY	JEB
REVISION NO.	XXXX	REVISION DATE	MM/DD/YY	APPR. BY	XXXX
				DATE	6-1-06
				DATE	MM/DD/YY

Rev. No.	Revision Date	Drawn By	Description of Revision
0	6-1-06	DAS	FLS Ending Sidewall (Fixed) - ply