



Rapid-Lok Coping - Order/Specification Form

(FOR PARAPETS 6" - 32")

ATAS International, Inc.

Allentown, PA ~ Mesa, AZ ~ Maryville, TN
800.468.1441 ~ info@atas.com ~ www.atas.com
Fax: Allentown-610.395.9342 ~ Mesa-480.558.7217

COMPANY NAME: _____

PROJECT NAME: _____

CONTACT NAME: _____

LOCATION: _____

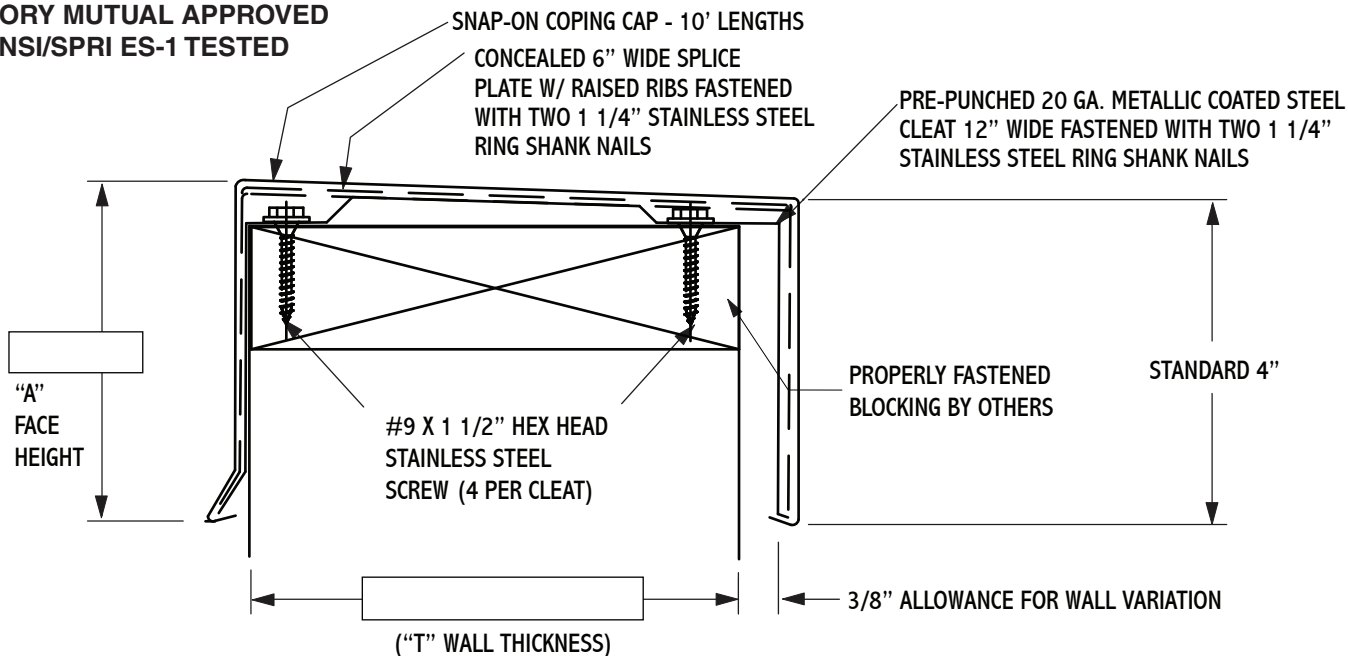
PHONE: _____

SHIP TO: _____

FAX: _____

DATE: _____

**FACTORY MUTUAL APPROVED
ANSI/SPRI ES-1 TESTED**



QUANTITY

- _____ NUMBER OF PIECES
- _____ OUTSIDE CORNERS
- _____ INSIDE CORNERS
- _____ END CAP - L
- _____ END CAP - R
- _____ END TERM - L
- _____ END TERM - R
- _____ RADIUS LF
- _____ VAULTED LF

MATERIALS

- ALUMINUM
- METALLIC COATED STEEL

THICKNESS

- .050
- .063
- 24 GA.

ACCESSORY TYPE

- WELDED (AL ONLY)
- METAL-LOK

* IF ACCESSORY TYPE IS NOT CHECKED, WE WILL ASSUME "METAL-LOK"

COLOR _____

FINISH

- PREFINISHED KYNAR 500® PVDF
- PREFINISHED CLEAR ANODIZED (Aluminum Only)
- .063 PREFINISHED KYNAR IS ONLY AVAILABLE IN 7 STD. COLORS.

TRANSMITTAL

- REQUEST FOR QUOTATION
- SUBMIT FOR APPROVAL
- REQUEST FOR INFORMATION
- CONFIRMING TELECONFERENCE
- FOR YOUR FILES

BY _____ DATE _____

CUSTOMER APPROVAL

AUTHORIZED CUSTOMER SIGNATURE

PRINT NAME

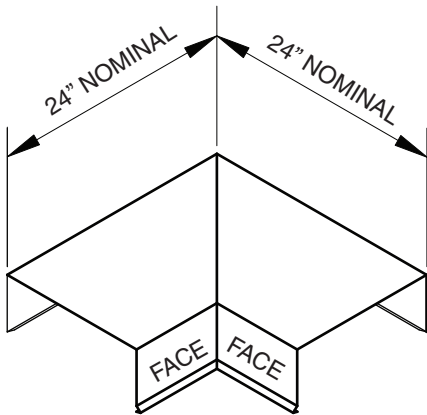
TITLE

DATE

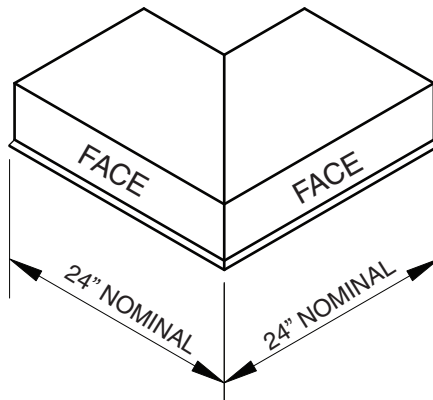
ALL RADIUS AND VAULTED
PIECES ARE FABRICATED IN
58" LENGTHS, TEMPLATES
WILL BE REQUIRED.

-
-
-
-
-

SKU	STRETCH OUT RANGE	# OF CLEATS	FACE HEIGHT
MAC100	10"- 14" STRETCH OUT	2	4
MAC140	14"- 16" STRETCH OUT	2	4
MAC160	16"- 22" STRETCH OUT	2	4
MAC220	22"- 30" STRETCH OUT	2 or 3	5
MAC300	30"- 42" STRETCH OUT	3	6

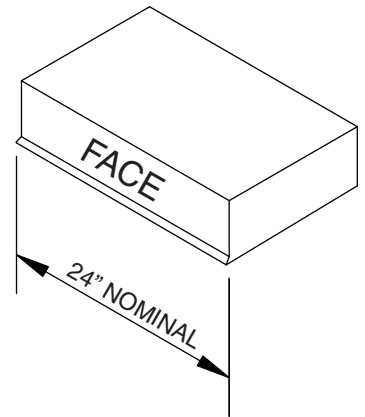


INSIDE CORNER



OUTSIDE CORNER

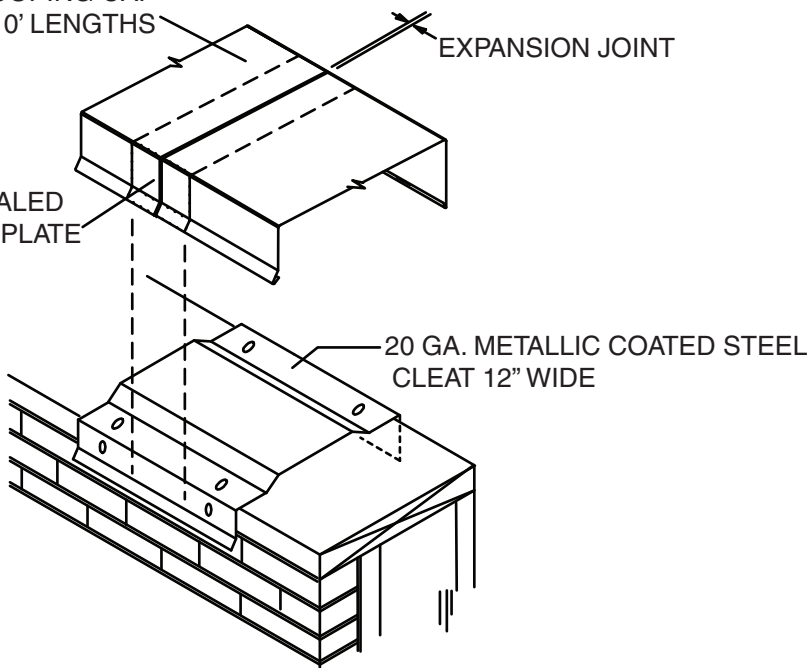
END CAP
RIGHT HAND SHOWN



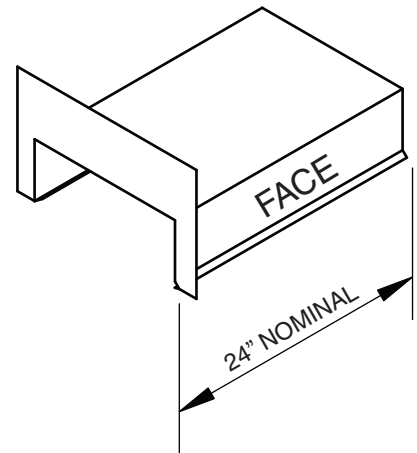
COPING CAP
10' LENGTHS

EXPANSION JOINT

CONCEALED
SPLICE PLATE
6" WIDE



END TERMINATION
LEFT HAND SHOWN



ATAS International, Inc.

Allentown, PA ~ Mesa, AZ ~ Maryville, TN
800.468.1441 ~ info@atas.com ~ www.atas.com
Fax: Allentown-610.395.9342 ~ Mesa-480.558.7217

KYNAR 500® PVDF is a trademark of Arkema.