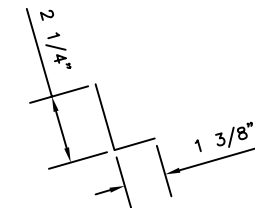
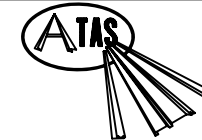


SCA175 EAVE TRIM  
(7 1/2" TOTAL)



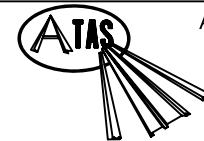
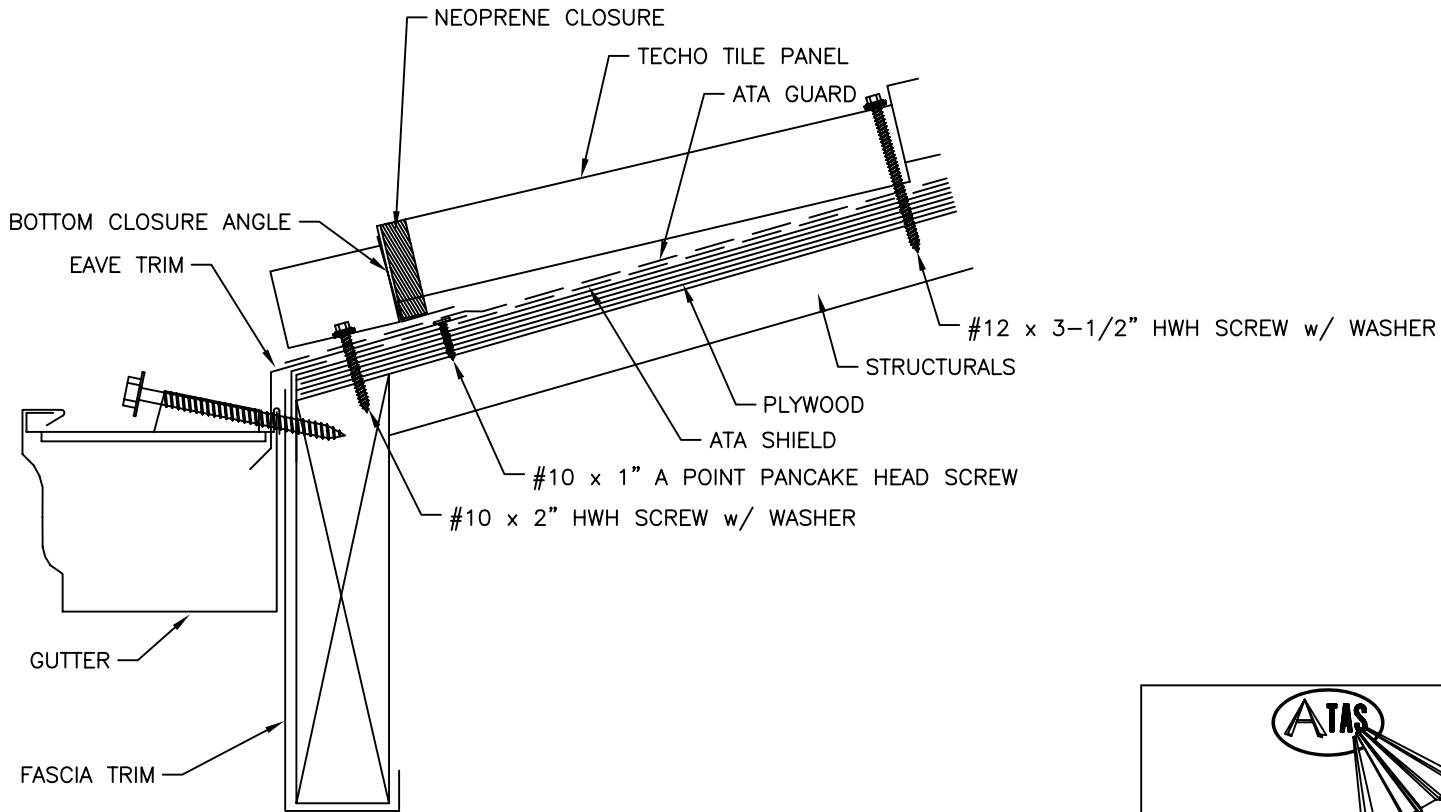
SCA711 BOTTOM CLOSURE ANGLE  
(3 5/8" TOTAL)



ATAS INTERNATIONAL, INC.  
Allentown PA  
610-395-8445  
Mesa AZ  
480-558-7210

TITLE		Techo Tile Eave - ply					
DWG NO. / FILE NO.		Techo Tile Eave - ply				SCALE	3"=1'-0"
DRAWN BY	DAS	DATE	3-6-06	APPR. BY	JEB	DATE	6-5-06
REVISION NO.	XXXX	REVISION DATE	MM/DD/YY	APPR. BY	XXXX	APPR. DATE	MM/DD/YY

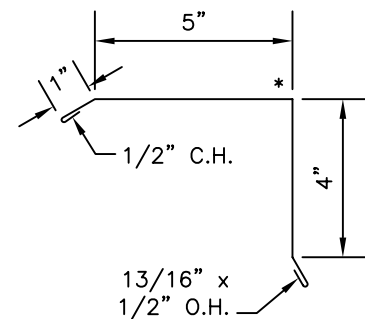
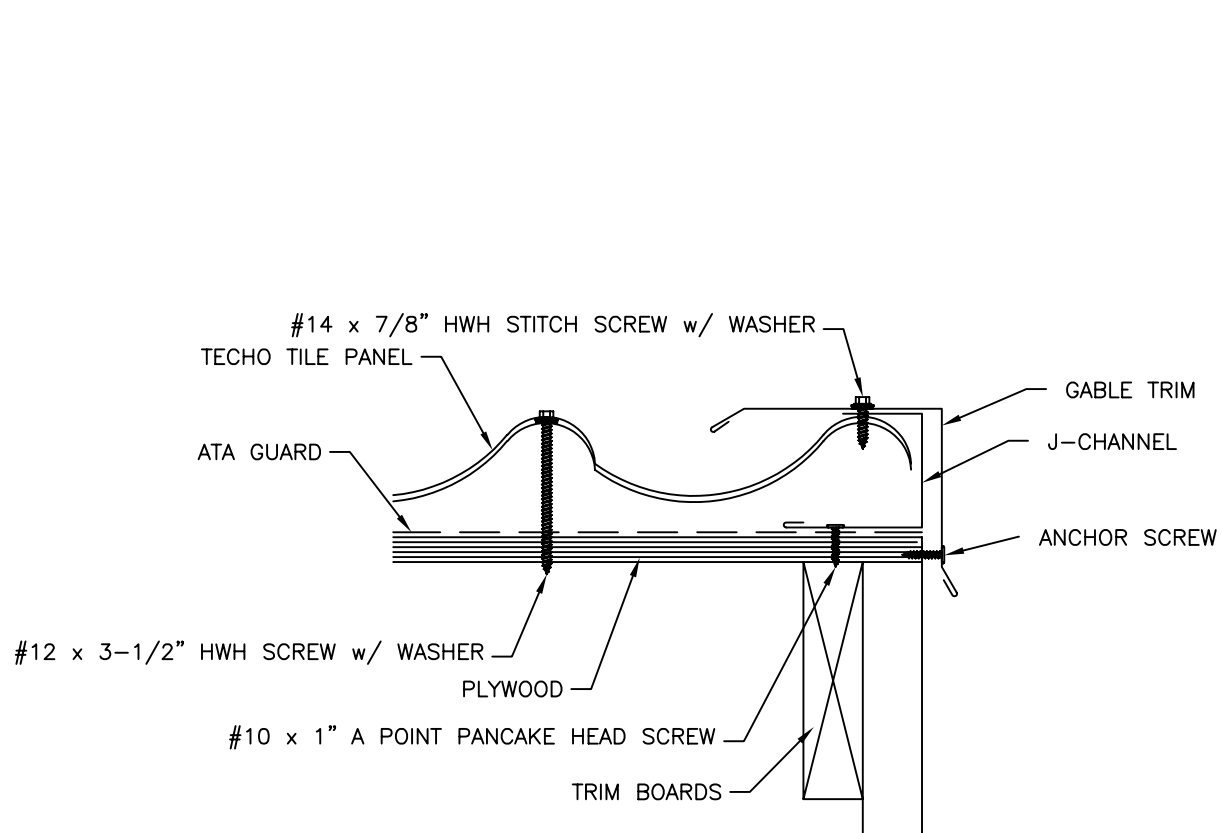
Rev. No.	Revision Date	Drawn By	Description of Revision
0	6-5-06	DAS	Techo Tile Eave - ply



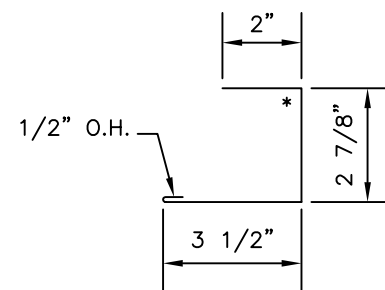
ATAS INTERNATIONAL, INC.  
 Allentown PA  
 610-395-8445  
 Mesa AZ  
 480-558-7210

TITLE		Techo Tile Eave w Gutter - ply					
DWG NO. / FILE NO.		Techo Tile Eave w Gutter - ply				SCALE	3"=1'-0"
DRAWN BY	DAS	DATE	3-6-06	APPR. BY	JEB	DATE	6-5-06
REVISION NO.	XXXX	REVISION DATE	MM/DD/YY	APPR. BY	XXXX	APPR. DATE	MM/DD/YY

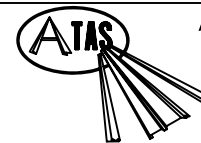
Rev. No.	Revision Date	Drawn By	Description of Revision
0	6-5-06	DAS	Techo Tile Eave w Gutter - ply



SCA277 GABLE TRIM  
(11 13/16" TOTAL)



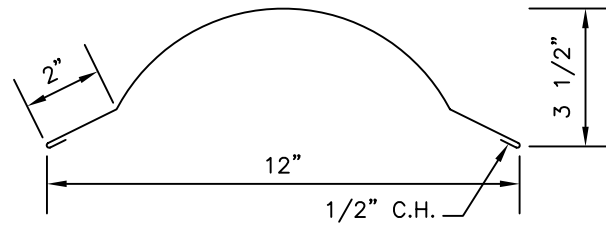
SCA270 "J" CHANNEL  
(8 7/8" TOTAL)



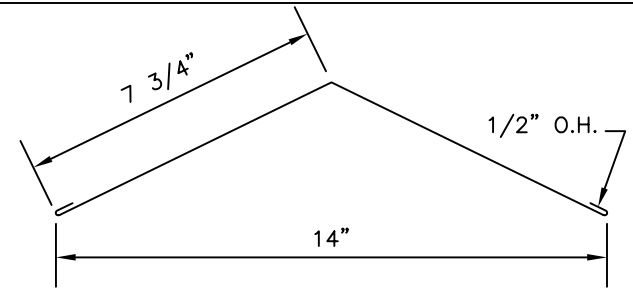
ATAS INTERNATIONAL, INC.  
 Allentown PA  
 610-395-8445  
 Mesa AZ  
 480-558-7210

TITLE								Techo Tile Gable - ply			
DWG NO. / FILE NO.				Techo Tile Gable - ply				SCALE		3"=1'-0"	
DRAWN BY		DAS		DATE		3-6-06		APPR. BY		JEB	
DATE		6-5-06		DATE		6-5-06		DATE		6-5-06	
REVISION NO.		XXXX		REVISION DATE		MM/DD/YY		APPR. BY		XXXX	
DATE		MM/DD/YY		DATE		MM/DD/YY		DATE		MM/DD/YY	

Rev. No.	Revision Date	Drawn By	Description of Revision
0	6-5-06	DAS	Techo Tile Gable - ply



SCA370 HIP CAP



SCA772 HIP BASE  
(16 1/2" TOTAL)

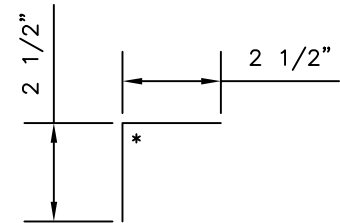
APPLY SEALANT AT  
PANEL / ANGLE CONNECTION

HIP CLOSURE

HIP CAP

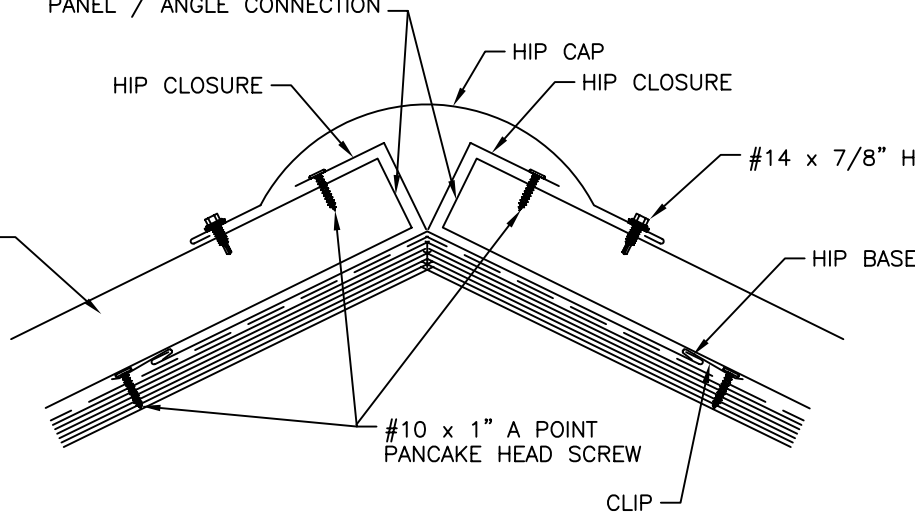
HIP CLOSURE

#14 x 7/8" HWH STITCH SCREW w/ WASHER



SCA771 HIP CLOSURE  
(5" TOTAL)

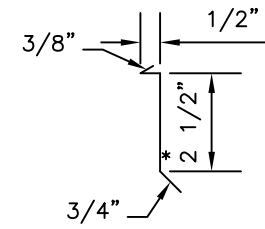
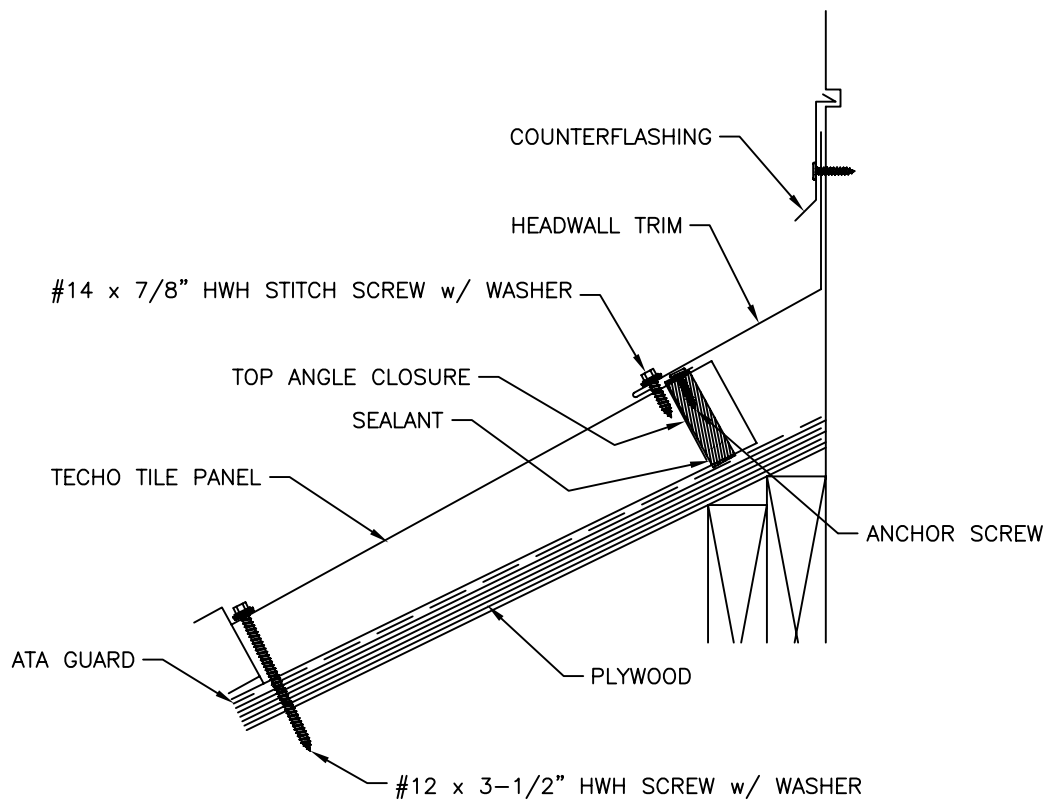
TECHO TILE PANEL



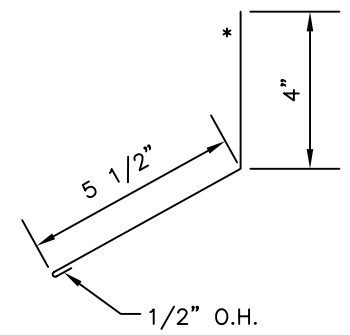
	<b>ATAS INTERNATIONAL, INC.</b> Allentown PA 610-395-8445 Mesa AZ 480-558-7210	
	TITLE <b>Techo Tile Hip - ply</b>	

DWG NO. / FILE NO.		Techo Tile Hip - ply		SCALE	3"=1'-0"
DRAWN BY	DAS	DATE	3-6-06	APPR. BY	JEB
REVISION NO.	XXXX	REVISION DATE	MM/DD/YY	APPR. BY	XXXX
				DATE	6-5-06
				DATE	MM/DD/YY

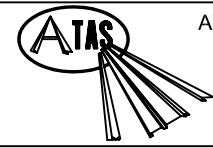
Rev. No.	Revision Date	Drawn By	Description of Revision
0	6-5-06	DAS	Techo Tile Hip - ply



SCA980 COUNTERFLASHING (OPTIONAL)  
(4 1/8" TOTAL)



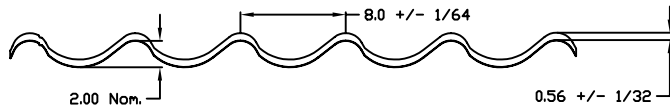
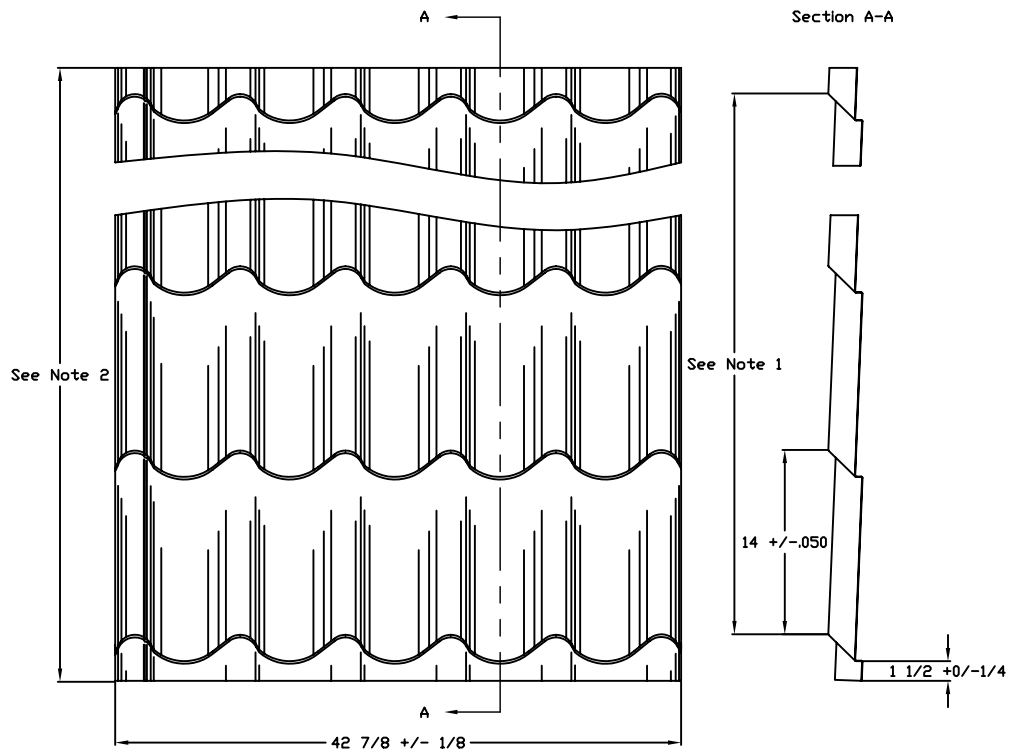
SCA500 HEADWALL TRIM  
(10" TOTAL)



ATAS INTERNATIONAL, INC.  
Allentown PA  
610-395-8445  
Mesa AZ  
480-558-7210

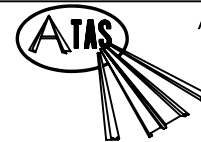
TITLE		Techo Tile Headwall - ply					
DWG NO. / FILE NO.		Techo Tile Headwall - ply				SCALE	3"=1'-0"
DRAWN BY	DAS	DATE	3-6-06	APPR. BY	JEB	DATE	6-5-06
REVISION NO.	XXXX	REVISION DATE	MM/DD/YY	APPR. BY	XXXX	APPR. DATE	MM/DD/YY

Rev. No.	Revision Date	Drawn By	Description of Revision
0	6-5-06	DAS	Techo Tile Headwall - ply



Note 1: No. of tiles X 14 +/- .050 per tile.

Note 2: Overall length to order +/- 1.0

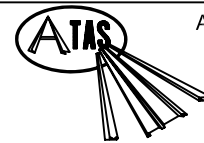
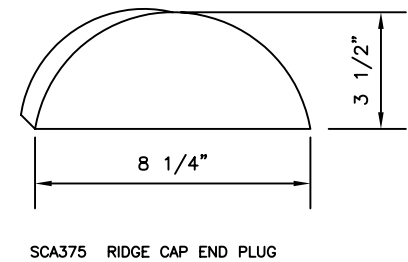
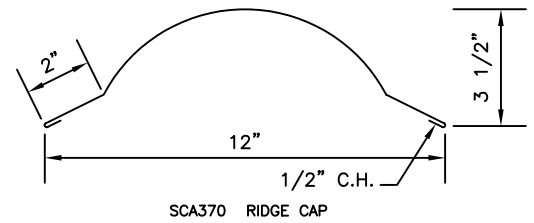
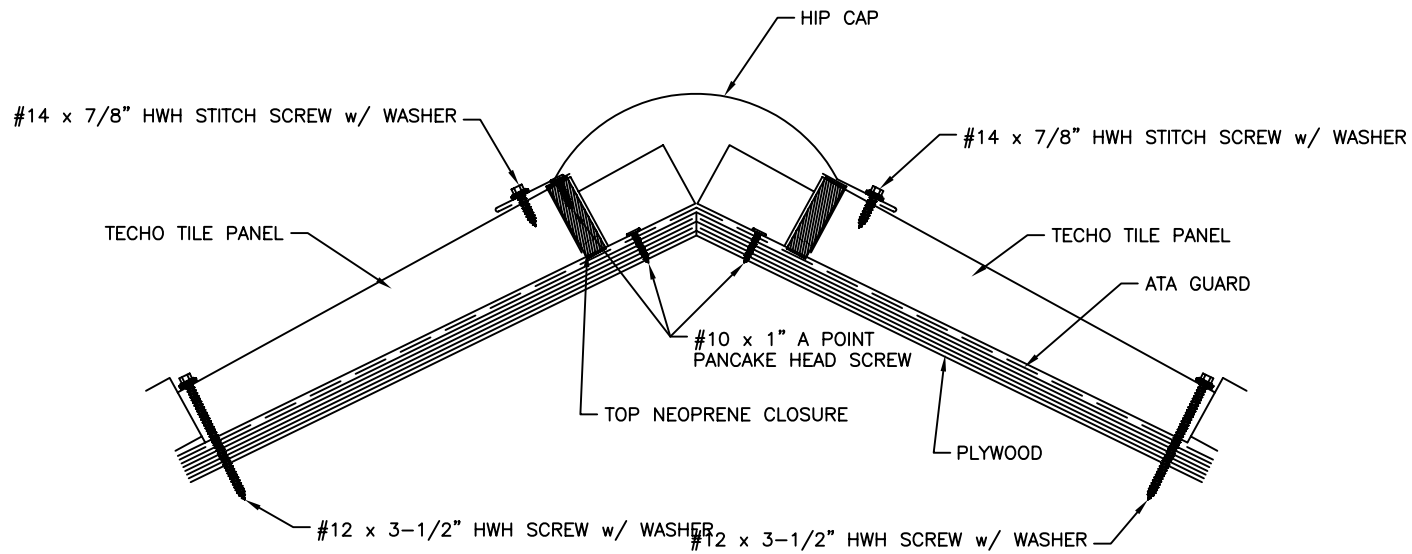


ATAS INTERNATIONAL, INC.

Allentown PA  
610-395-8445  
Mesa AZ  
480-558-7210

TITLE		Techo Tile Profile					
DWG NO. / FILE NO.		FLN Profile				SCALE	3"=1'-0"
DRAWN BY	DAS	DATE	7-25-07	APPR. BY	JEB	DATE	7-25-07
REVISION NO.	XXXX	REVISION DATE	MM/DD/YY	APPR. BY	XXXX	APPR. DATE	MM/DD/YY

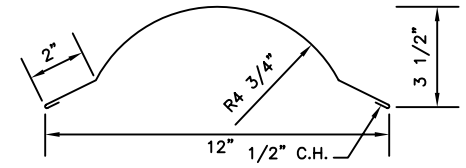
Rev. No.	Revision Date	Drawn By	Description of Revision
0	7-25-07	DAS	Techo Tile Profile



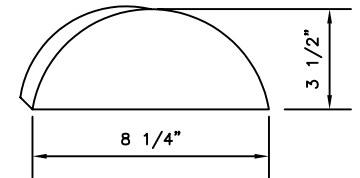
ATAS INTERNATIONAL, INC.  
 Allentown PA  
 610-395-8445  
 Mesa AZ  
 480-558-7210

TITLE		Techo Tile Ridge - ply					
DWG NO. / FILE NO.		Techo Tile Ridge - ply			SCALE	3"=1'-0"	
DRAWN BY	DAS	DATE	3-6-06	APPR. BY	JEB	DATE	6-5-06
REVISION NO.	XXXX	REVISION DATE	MM/DD/YY	APPR. BY	XXXX	APPR. DATE	MM/DD/YY

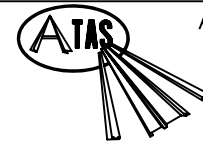
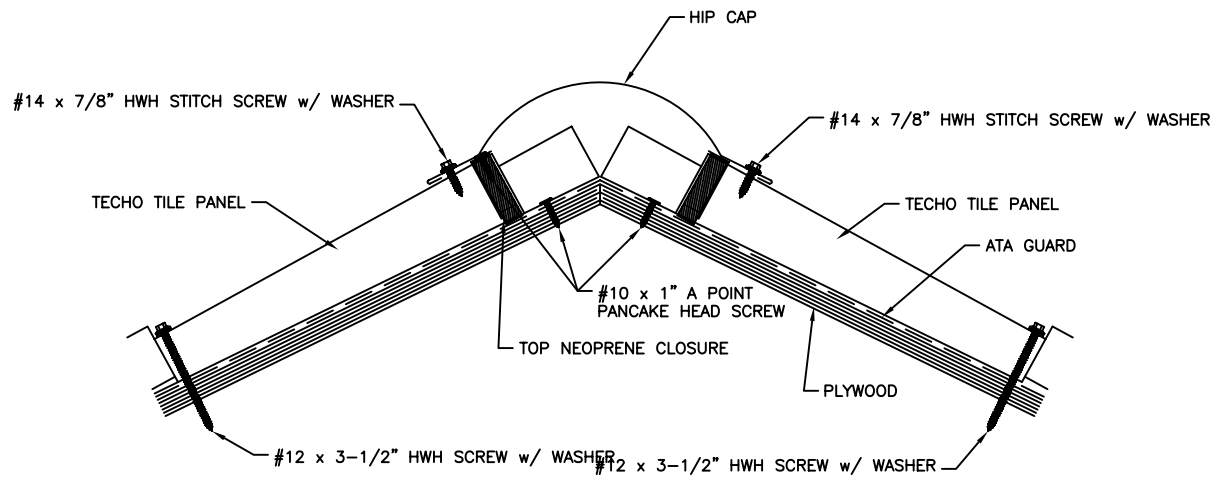
Rev. No.	Revision Date	Drawn By	Description of Revision
0	6-5-06	DAS	Techo Tile Ridge - ply



SCA370 RIDGE CAP



SCA375 RIDGE CAP END PLUG

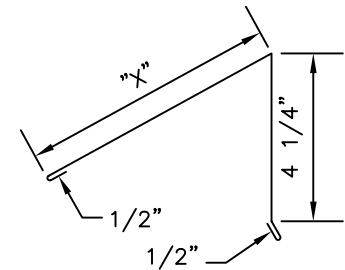
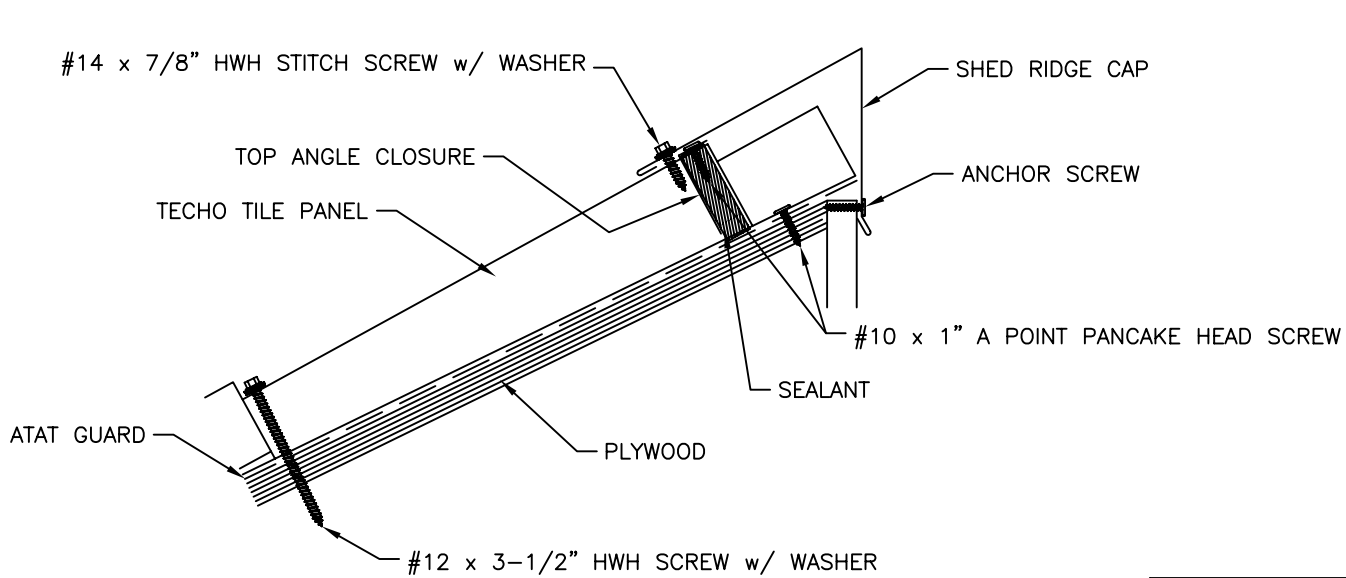


ATAS INTERNATIONAL, INC.

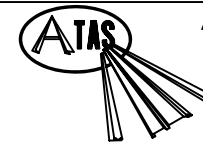
Allentown PA  
610-395-8445  
Mesa AZ  
480-558-7210

TITLE								Techo Tile Ridge Cap - ply			
DWG NO. / FILE NO.		Techo Tile Ridge Cap - ply						SCALE		3"=1'-0"	
DRAWN BY	DAS	DATE	3-6-06	APPR. BY	JEB	DATE	6-5-06				
REVISION NO.	XXXX	REVISION DATE	MM/DD/YY	APPR. BY	XXXX	APPR. DATE	MM/DD/YY				

Rev. No.	Revision Date	Drawn By	Description of Revision
0	6-5-06	DAS	Techo Tile Ridge Cap - ply



SHED RIDGE CAP  
 SCA342 - X = 5-1/2", 3:12 - 4:12  
 SCA343 - X = 6-1/2", 5:12 - 8:12  
 SCA344 - X = 7-1/2", 9:12 - 12:12  
 SCA345 - SPECIFY SLOPE



ATAS INTERNATIONAL, INC.  
 Allentown PA  
 610-395-8445  
 Mesa AZ  
 480-558-7210

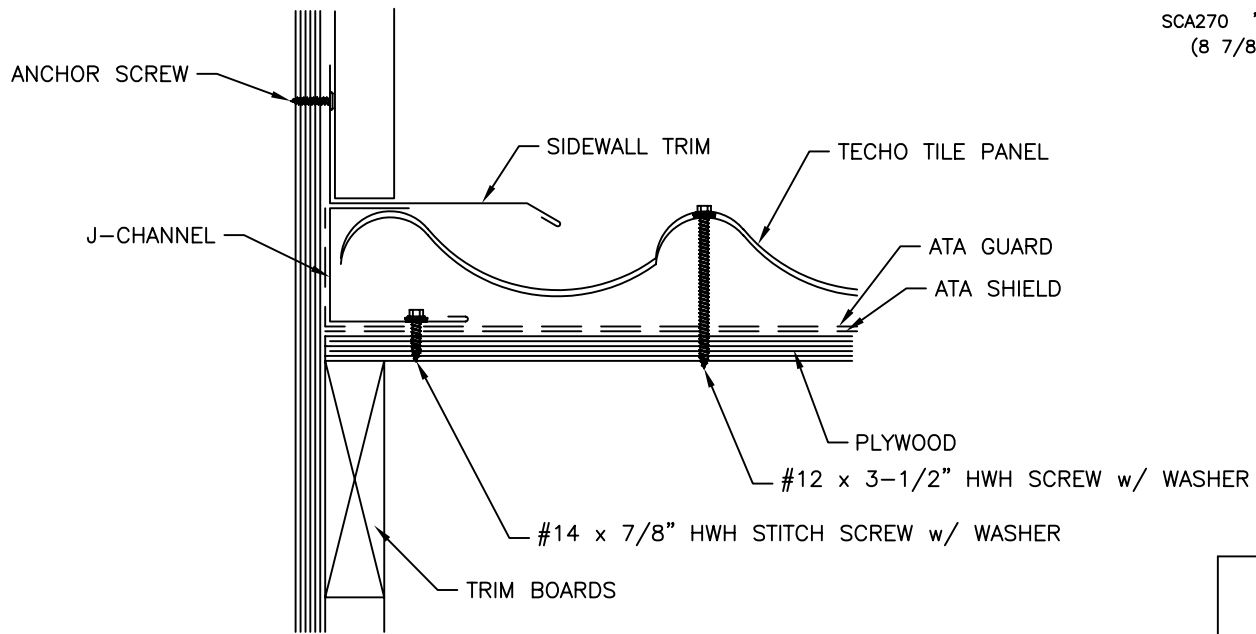
TITLE **Techo Tile Shed Ridge - ply**

DWG NO. / FILE NO. **Techo Tile Shed Ridge - ply** SCALE **3"=1'-0"**

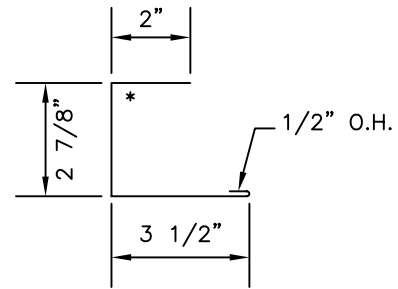
DRAWN BY **DAS** DATE **3-6-06** APPR. BY **JEB** DATE **6-5-06**

REVISION NO. **XXXX** REVISION DATE **MM/DD/YY** APPR. BY **XXXX** APPR. DATE **MM/DD/YY**

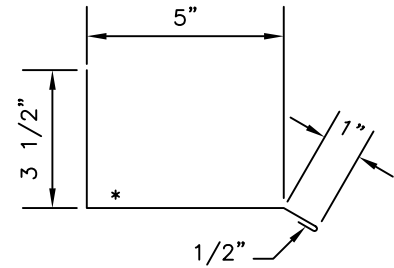
Rev. No.	Revision Date	Drawn By	Description of Revision
0	6-5-06	DAS	Techo Tile Shed Ridge - ply



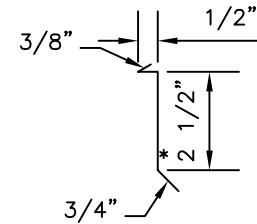
Techo Tile  
Sidewall Detail - plywood Scale: 3" = 1'-0"



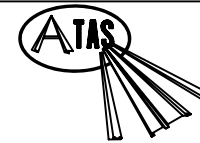
SCA270 "J" CHANNEL  
(8 7/8" TOTAL)



SCA410 SIDEWALL TRIM  
(10" TOTAL)



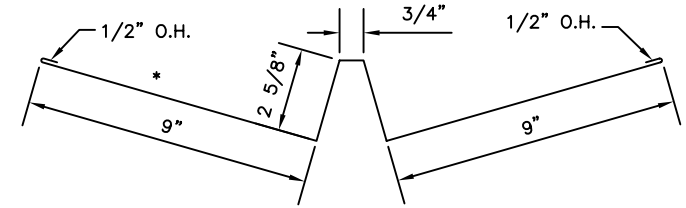
SCA980 COUNTERFLASHING (OPTIONAL)  
(4 1/8" TOTAL)



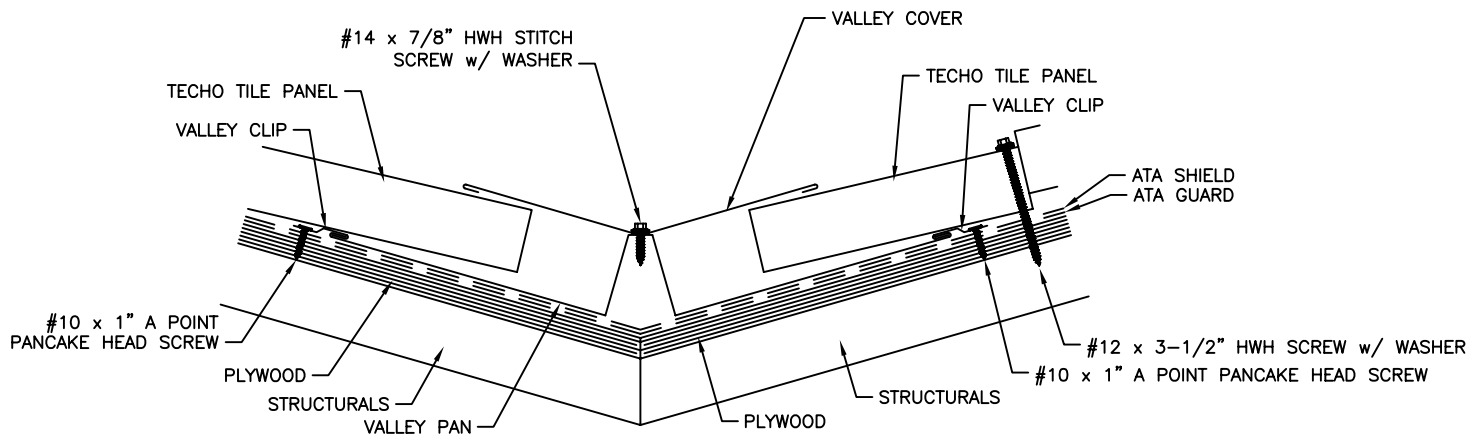
ATAS INTERNATIONAL, INC.  
Allentown PA  
610-395-8445  
Mesa AZ  
480-558-7210

TITLE		Techo Tile Sidewall - ply					
DWG NO. / FILE NO.		Techo Tile Sidewall - ply			SCALE	3"=1'-0"	
DRAWN BY	DAS	DATE	3-6-06	APPR. BY	JEB	DATE	6-5-06
REVISION NO.	XXXX	REVISION DATE	MM/DD/YY	APPR. BY	XXXX	APPR. DATE	MM/DD/YY

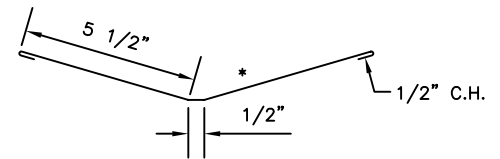
Rev. No.	Revision Date	Drawn By	Description of Revision
0	6-5-06	DAS	Techo Tile Sidewall - ply



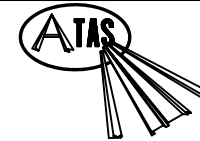
SCAB01 VALLEY PAN  
(25" TOTAL)



HPC903 VALLEY CLIP



SCAB05 VALLEY COVER  
(12 1/2" TOTAL)



ATAS INTERNATIONAL, INC.  
Allentown PA  
610-395-8445  
Mesa AZ  
480-558-7210

TITLE								Techo Tile Valley - ply	
DWG NO. / FILE NO.				Techo Tile Valley - ply				SCALE	3"=1'-0"
DRAWN BY	DAS	DATE	3-6-06	APPR. BY	JEB	DATE	6-5-06		
REVISION NO.	XXXX	REVISION DATE	MM/DD/YY	APPR. BY	XXXX	APPR. DATE	MM/DD/YY		

Rev. No.	Revision Date	Drawn By	Description of Revision
0	6-5-06	DAS	Techo Tile Valley - ply