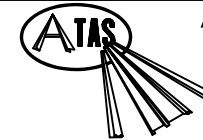
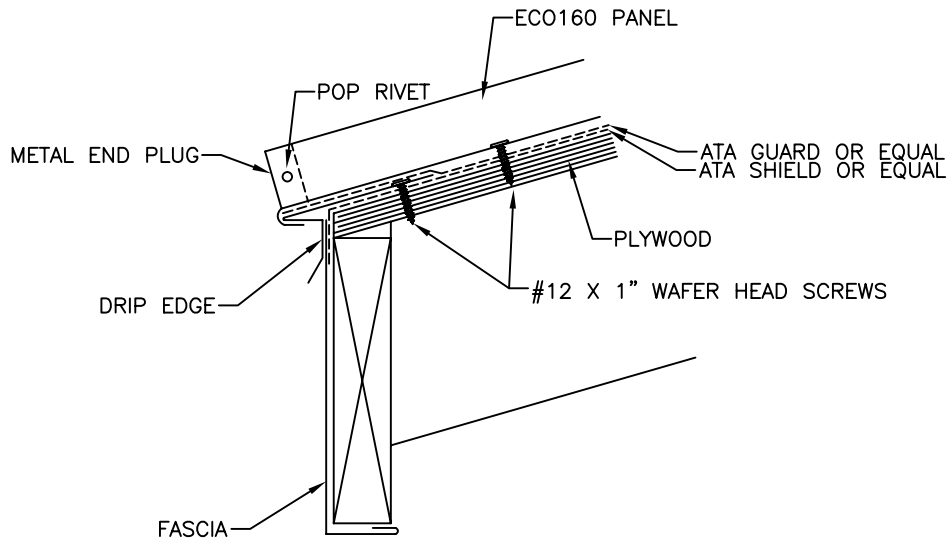


ATAS INTERNATIONAL, INC.  
 Allentown PA  
 610-395-8445  
 Mesa AZ  
 480-558-7210

TITLE		ECO Vented Ridge					
DWG NO. / FILE NO.		ECO Vented Ridge				SCALE	3"=1'-0"
DRAWN BY	DAS	DATE	3-6-06	APPR. BY	JEB	DATE	5-31-06
REVISION NO.	XXXX	REVISION DATE	MM/DD/YY	APPR. BY	XXXX	APPR. DATE	MM/DD/YY

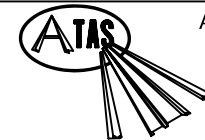
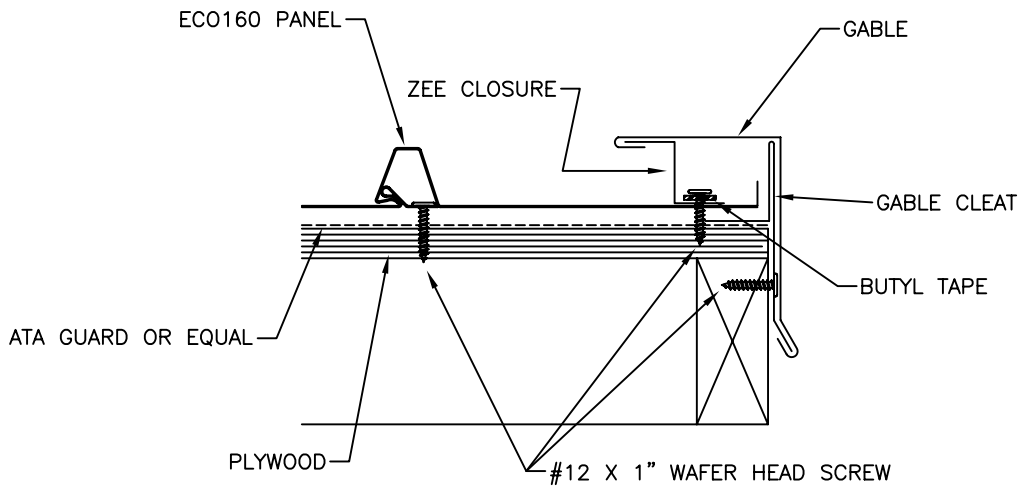
Rev. No.	Revision Date	Drawn By	Description of Revision
0	5-31-06	DAS	ECO Vented Ridge



ATAS INTERNATIONAL, INC.  
 Allentown PA  
 610-395-8445  
 Mesa AZ  
 480-558-7210

TITLE										ECO Eave	
DWG NO. / FILE NO.				ECO Eave				SCALE		3"=1'-0"	
DRAWN BY		DAS		DATE		3-6-06		APPR. BY		JEB	
REVISION NO.		XXXX		REVISION DATE		MM/DD/YY		APPR. BY		XXXX	
DATE		MM/DD/YY		DATE		MM/DD/YY		DATE		MM/DD/YY	

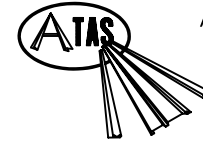
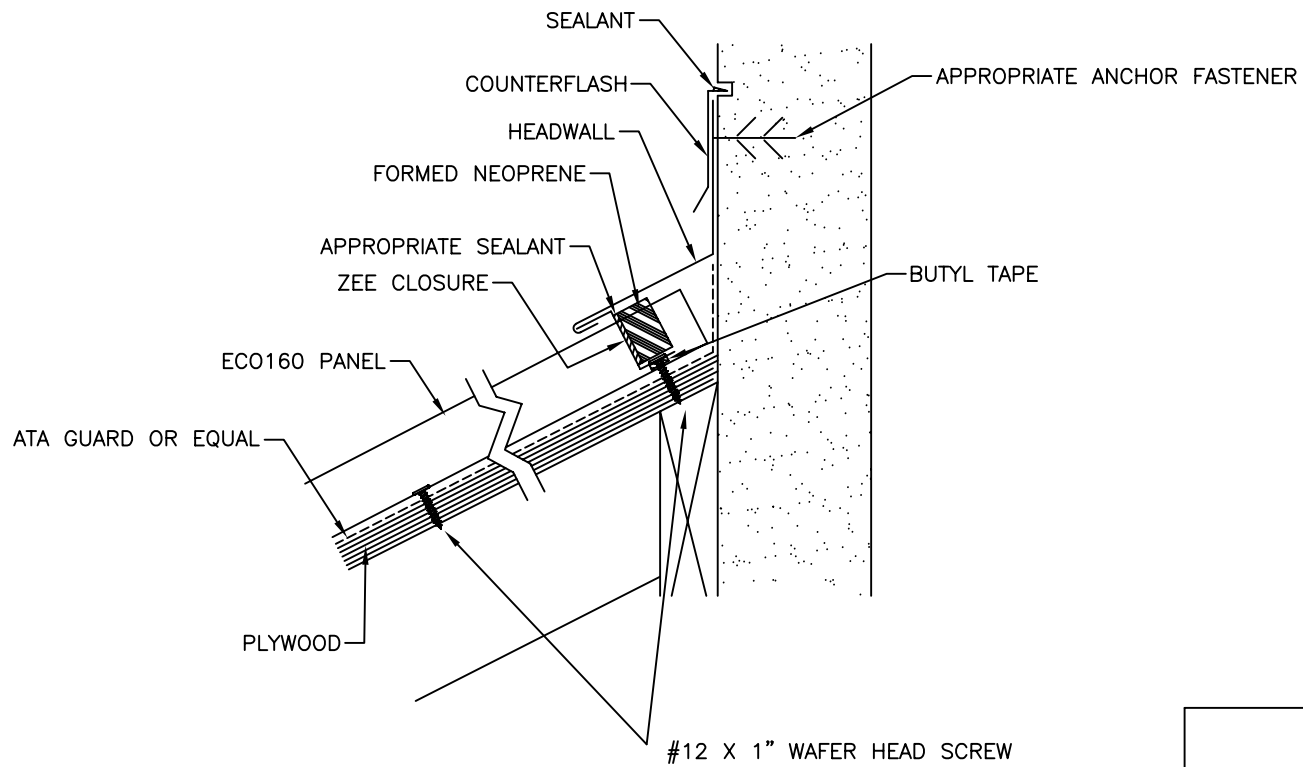
Rev. No.	Revision Date	Drawn By	Description of Revision
0	5-31-06	DAS	ECO Eave



ATAS INTERNATIONAL, INC.  
 Allentown PA  
 610-395-8445  
 Mesa AZ  
 480-558-7210

TITLE		ECO Gable					
DWG NO. / FILE NO.		ECO Gable				SCALE	3"=1'-0"
DRAWN BY	DAS	DATE	3-6-06	APPR. BY	JEB	DATE	5-31-06
REVISION NO.	XXXX	REVISION DATE	MM/DD/YY	APPR. BY	XXXX	APPR. DATE	MM/DD/YY

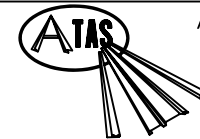
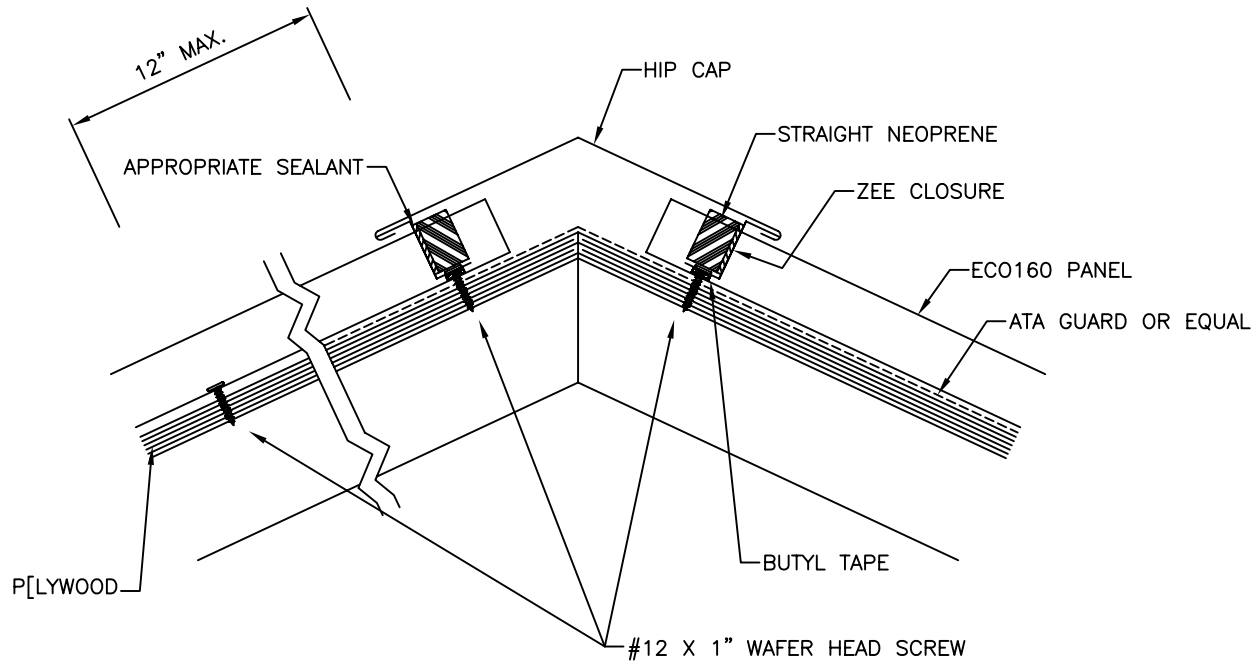
Rev. No.	Revision Date	Drawn By	Description of Revision
0	5-31-06	DAS	ECO Gable



ATAS INTERNATIONAL, INC.  
 Allentown PA  
 610-395-8445  
 Mesa AZ  
 480-558-7210

TITLE		ECO Headwall					
DWG NO. / FILE NO.		ECO Headwall			SCALE	3"=1'-0"	
DRAWN BY	DAS	DATE	3-6-06	APPR. BY	JEB	DATE	5-31-06
REVISION NO.	XXXX	REVISION DATE	MM/DD/YY	APPR. BY	XXXX	APPR. DATE	MM/DD/YY

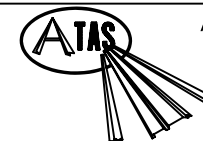
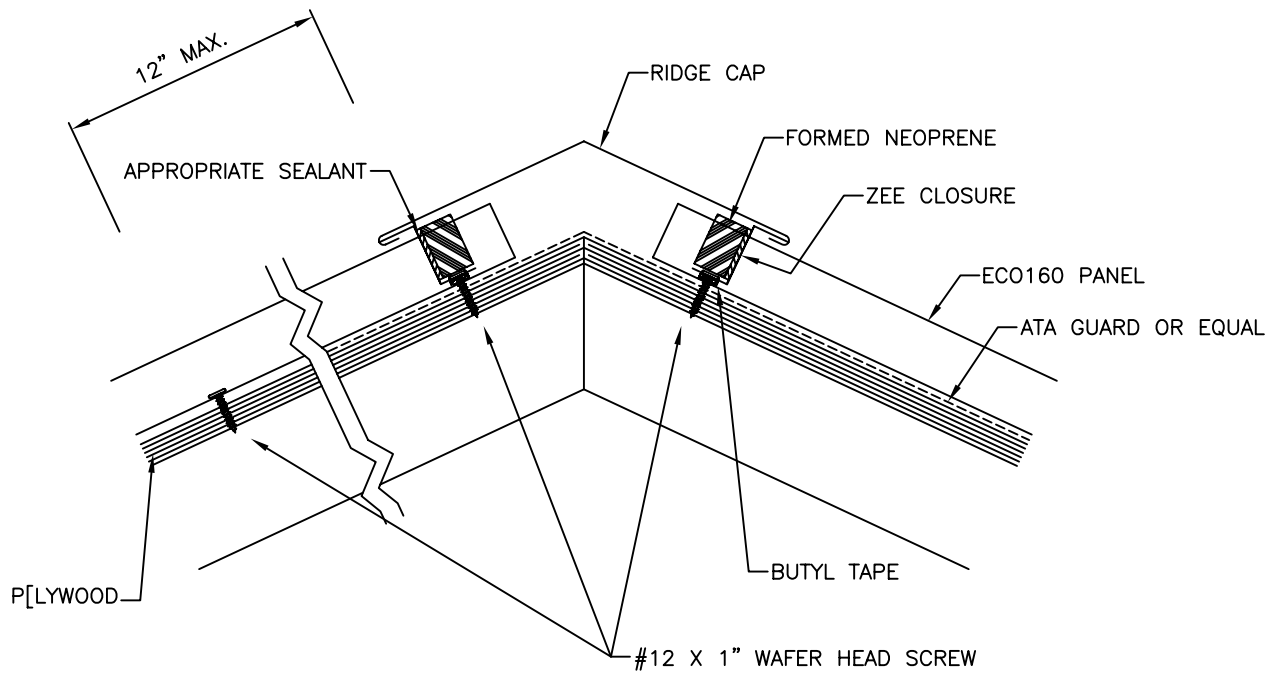
Rev. No.	Revision Date	Drawn By	Description of Revision
0	5-31-06	DAS	ECO Headwall



ATAS INTERNATIONAL, INC.  
 Allentown PA  
 610-395-8445  
 Mesa AZ  
 480-558-7210

TITLE						ECO Hip	
DWG NO. / FILE NO.				ECO Hip		SCALE	3"=1'-0"
DRAWN BY	DAS	DATE	3-6-06	APPR. BY	JEB	DATE	5-31-06
REVISION NO.	XXXX	REVISION DATE	MM/DD/YY	APPR. BY	XXXX	APPR. DATE	MM/DD/YY

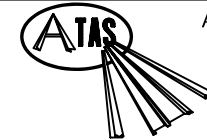
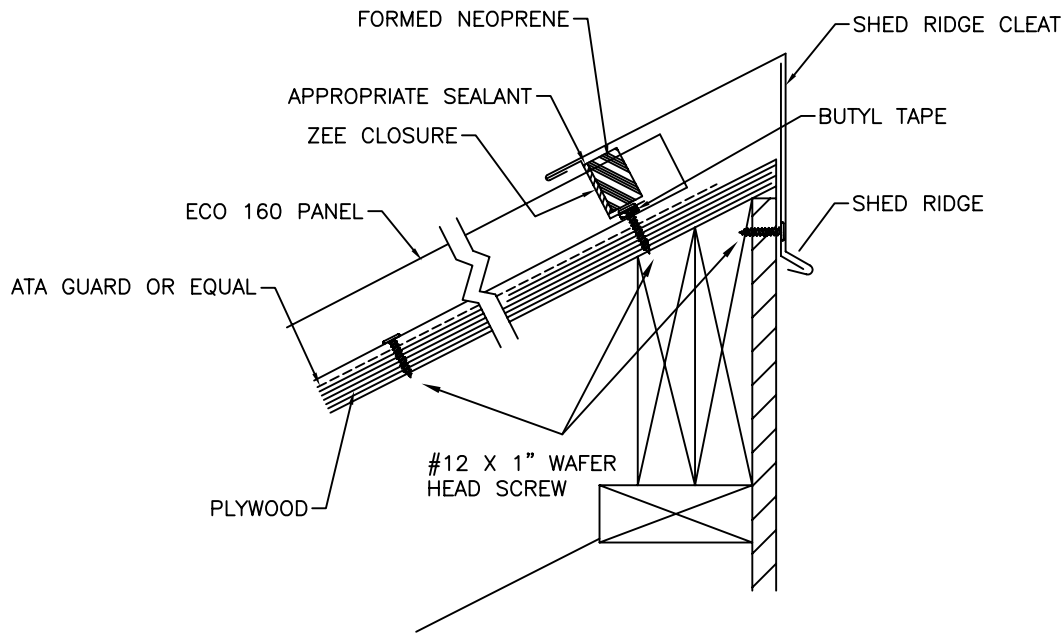
Rev. No.	Revision Date	Drawn By	Description of Revision
0	5-31-06	DAS	ECO Hip



ATAS INTERNATIONAL, INC.  
 Allentown PA  
 610-395-8445  
 Mesa AZ  
 480-558-7210

TITLE		ECO Ridge					
DWG NO. / FILE NO.		ECO Ridge				SCALE	3"=1'-0"
DRAWN BY	DAS	DATE	3-6-06	APPR. BY	JEB	DATE	5-31-06
REVISION NO.	XXXX	REVISION DATE	MM/DD/YY	APPR. BY	XXXX	APPR. DATE	MM/DD/YY

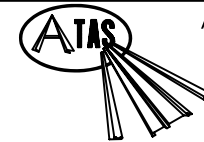
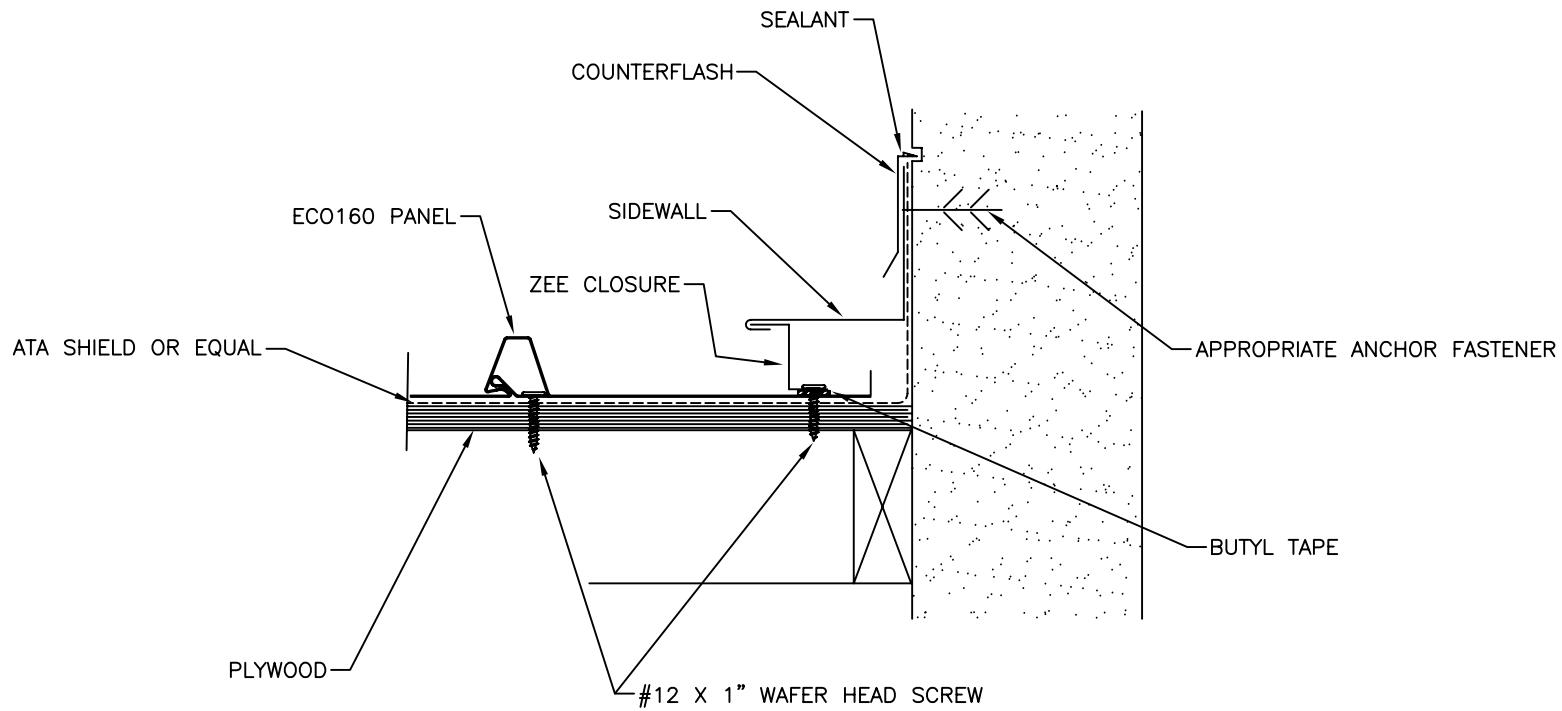
Rev. No.	Revision Date	Drawn By	Description of Revision
0	5-31-06	DAS	ECO Ridge



ATAS INTERNATIONAL, INC.  
 Allentown PA  
 610-395-8445  
 Mesa AZ  
 480-558-7210

TITLE		ECO Shed Ridge					
DWG NO. / FILE NO.		ECO Shed Ridge				SCALE	3"=1'-0"
DRAWN BY	DAS	DATE	3-6-06	APPR. BY	JEB	DATE	5-31-06
REVISION NO.	XXXX	REVISION DATE	MM/DD/YY	APPR. BY	XXXX	APPR. DATE	MM/DD/YY

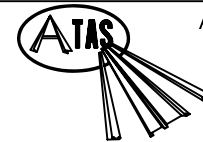
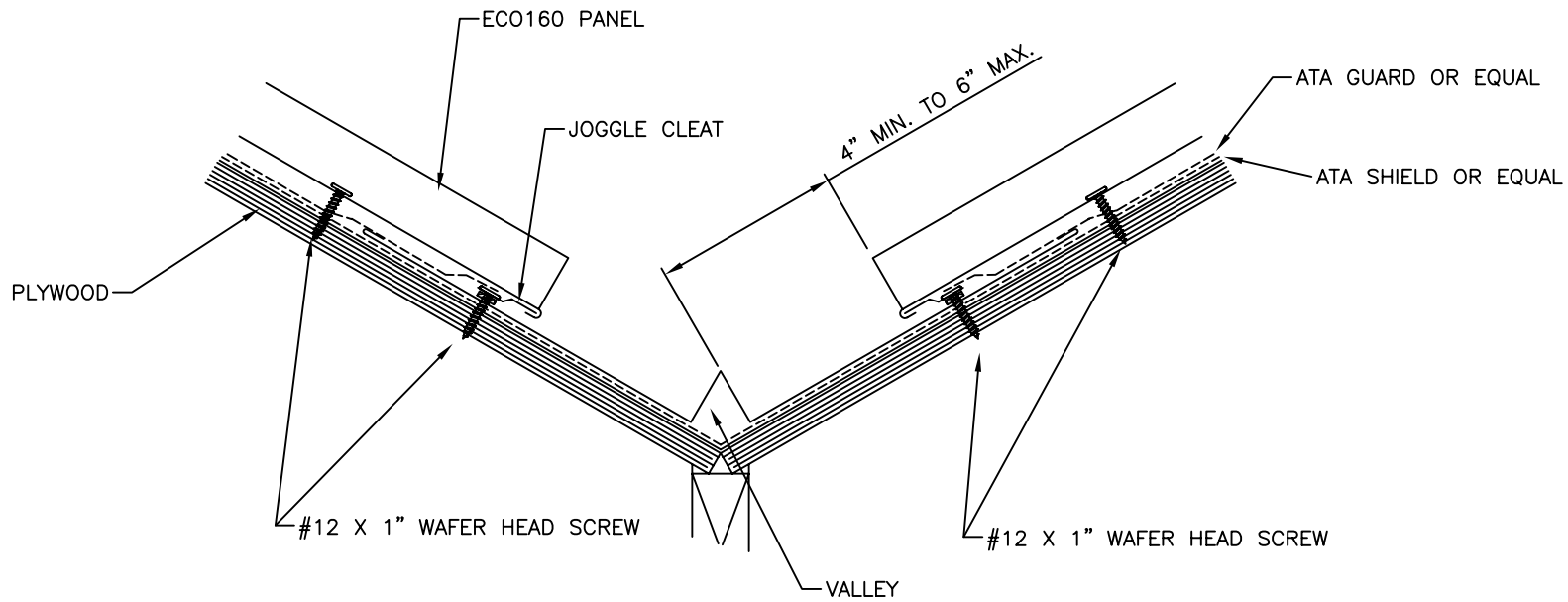
Rev. No.	Revision Date	Drawn By	Description of Revision
0	5-31-06	DAS	ECO Shed Ridge



ATAS INTERNATIONAL, INC.  
 Allentown PA  
 610-395-8445  
 Mesa AZ  
 480-558-7210

TITLE		ECO Sidewall					
DWG NO. / FILE NO.		ECO Sidewall				SCALE	3"=1'-0"
DRAWN BY	DAS	DATE	3-6-06	APPR. BY	JEB	DATE	5-31-06
REVISION NO.	XXXX	REVISION DATE	MM/DD/YY	APPR. BY	XXXX	APPR. DATE	MM/DD/YY

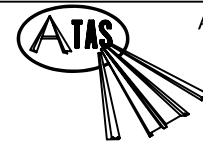
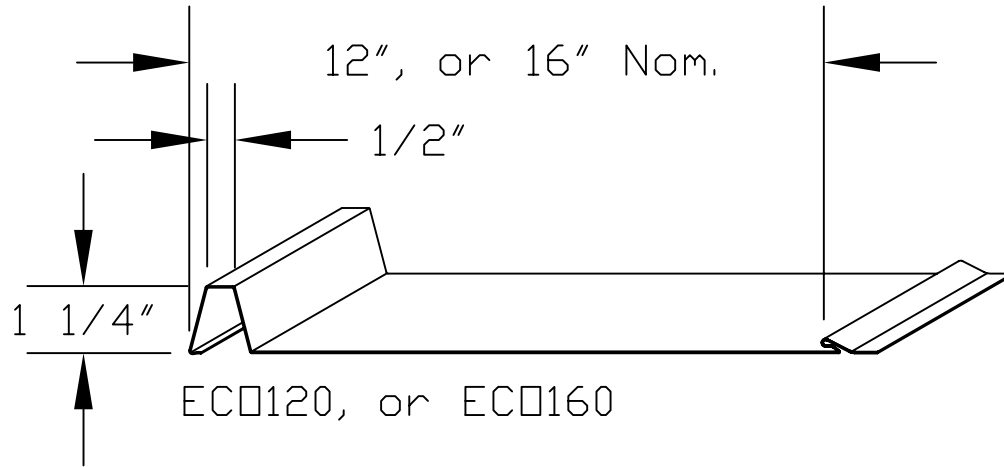
Rev. No.	Revision Date	Drawn By	Description of Revision
0	5-31-06	DAS	ECO Sidewall



ATAS INTERNATIONAL, INC.  
 Allentown PA  
 610-395-8445  
 Mesa AZ  
 480-558-7210

TITLE		ECO Valley					
DWG NO. / FILE NO.		ECO Valley				SCALE	3"=1'-0"
DRAWN BY	DAS	DATE	3-6-06	APPR. BY	JEB	DATE	5-31-06
REVISION NO.	XXXX	REVISION DATE	MM/DD/YY	APPR. BY	XXXX	APPR. DATE	MM/DD/YY

Rev. No.	Revision Date	Drawn By	Description of Revision
0	5-31-06	DAS	ECO Valley



ATAS INTERNATIONAL, INC.  
 Allentown PA  
 610-395-8445  
 Mesa AZ  
 480-558-7210

TITLE		ECO120, or ECO160					
DWG NO. / FILE NO.		ECO120, or ECO160				SCALE	1"=1"
DRAWN BY	DAS	DATE	3-6-06	APPR. BY	JEB	DATE	7-24-07
REVISION NO.	XXXX	REVISION DATE	MM/DD/YY	APPR. BY	XXXX	APPR. DATE	MM/DD/YY

Rev. No.	Revision Date	Drawn By	Description of Revision
0	7-24-07	DAS	ECO120, ECO160