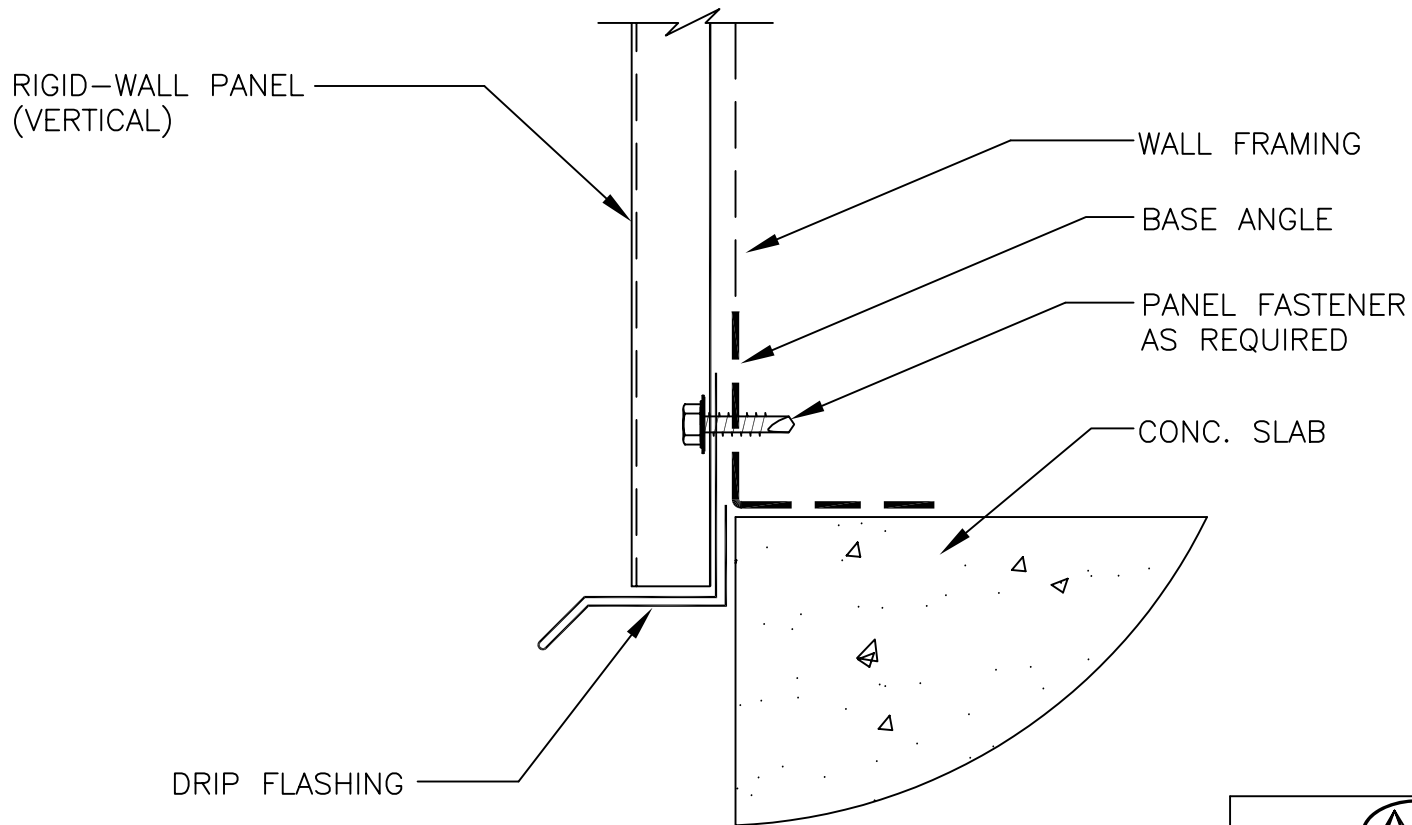


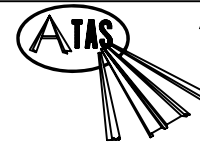
ATAS INTERNATIONAL, INC.
 Allentown PA
 610-395-8445
 Mesa AZ
 480-558-7210

TITLE		MFR160 Rigid Wall Profile					
DWG NO. / FILE NO.		MFR160 Rigid Wall Profile				SCALE	3"=1'-0"
DRAWN BY	DAS	DATE	3-6-06	APPR. BY	JEB	DATE	6-2-06
REVISION NO.	XXXX	REVISION DATE	MM/DD/YY	APPR. BY	XXXX	APPR. DATE	MM/DD/YY

Rev. No.	Revision Date	Drawn By	Description of Revision
0	6-2-06	DAS	MFR160 Rigid Wall Profile



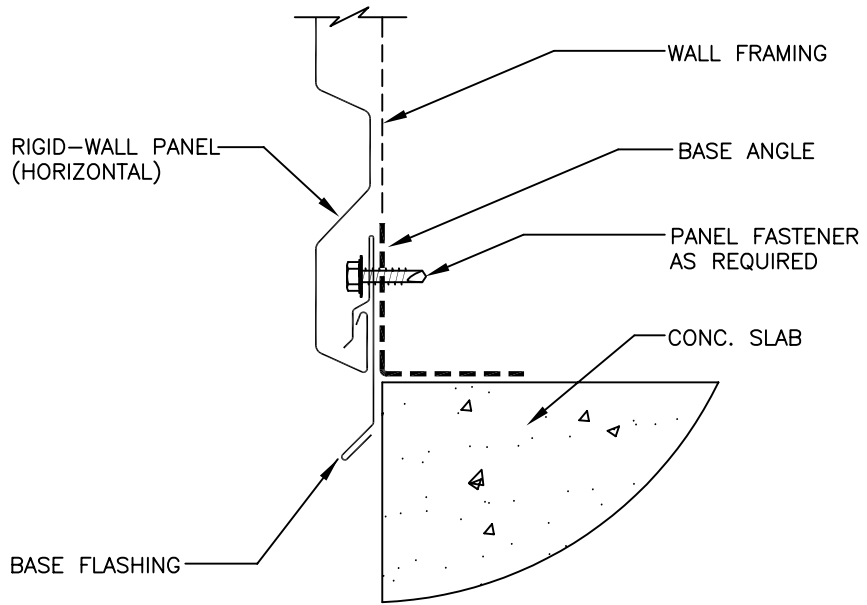
VERTICAL RIGID-WALL



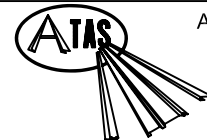
ATAS INTERNATIONAL, INC.
 Allentown PA
 610-395-8445
 Mesa AZ
 480-558-7210

TITLE		MFR Drip					
DWG NO. / FILE NO.		MFR Drip				SCALE	3"=1'-0"
DRAWN BY	DAS	DATE	3-6-06	APPR. BY	JEB	DATE	6-2-06
REVISION NO.	XXXX	REVISION DATE	MM/DD/YY	APPR. BY	XXXX	APPR. DATE	MM/DD/YY

Rev. No.	Revision Date	Drawn By	Description of Revision
0	6-2-06	DAS	MFR Drip



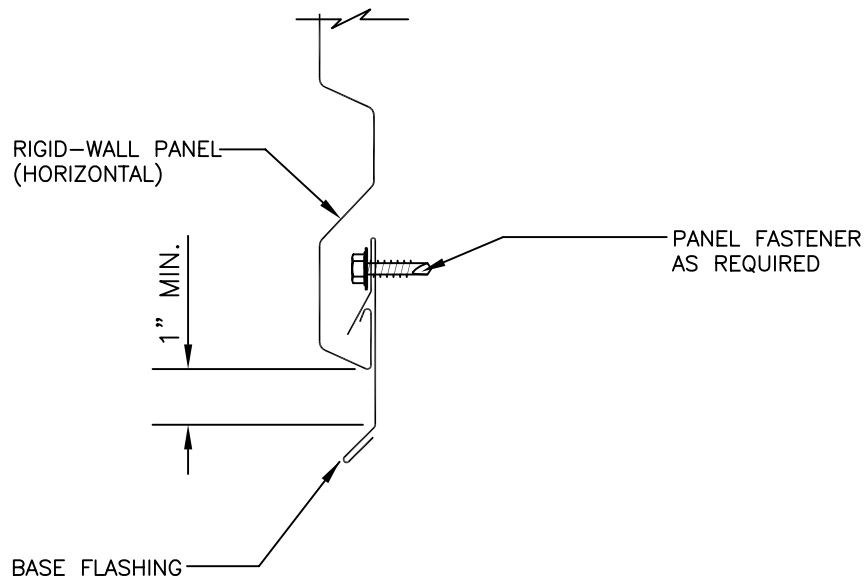
HORIZONTAL RIGID-WALL



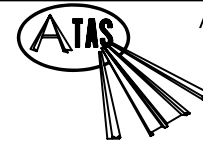
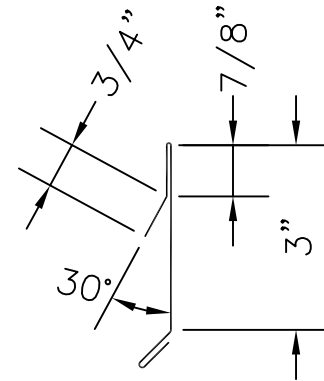
ATAS INTERNATIONAL, INC.
 Allentown PA
 610-395-8445
 Mesa AZ
 480-558-7210

<p>TITLE Rigid Wall Base 1</p>									
<p>DWG NO. / FILE NO. Rigid Wall Base 1</p>						<p>SCALE 3"=1'-0"</p>			
<p>DRAWN BY DAS</p>	<p>DATE 3-6-06</p>	<p>APPR. BY JEB</p>	<p>DATE 6-2-06</p>						
<p>REVISION NO. XXXX</p>	<p>REVISION DATE MM/DD/YY</p>	<p>APPR. BY XXXX</p>	<p>APPR. DATE MM/DD/YY</p>						

Rev. No.	Revision Date	Drawn By	Description of Revision
0	6-2-06	DAS	Rigid Wall Base 1



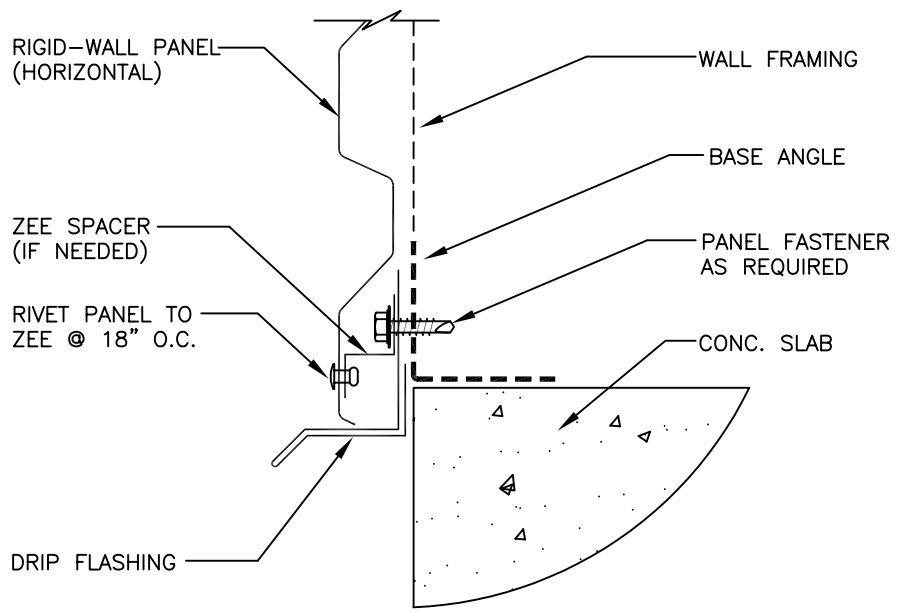
HORIZONTAL RIGID-WALL



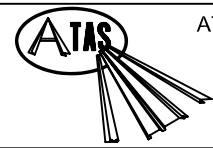
ATAS INTERNATIONAL, INC.
 Allentown PA
 610-395-8445
 Mesa AZ
 480-558-7210

TITLE		Rigid Wall Base 2					
DWG NO. / FILE NO.		Rigid Wall Base 2				SCALE	3"=1'-0"
DRAWN BY	DAS	DATE	3-6-06	APPR. BY	JEB	DATE	6-2-06
REVISION NO.	XXXX	REVISION DATE	MM/DD/YY	APPR. BY	XXXX	APPR. DATE	MM/DD/YY

Rev. No.	Revision Date	Drawn By	Description of Revision
0	6-2-06	DAS	Rigid Wall Base 2



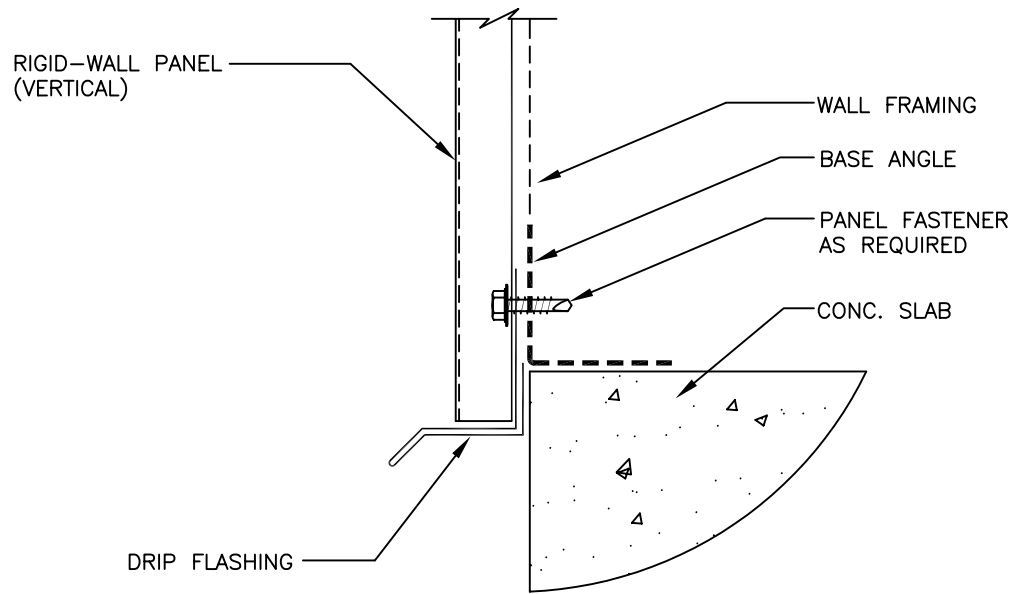
HORIZONTAL RIGID-WALL



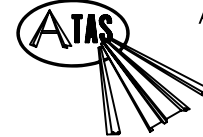
ATAS INTERNATIONAL, INC.
 Allentown PA
 610-395-8445
 Mesa AZ
 480-558-7210

TITLE								Rigid Wall Base 3							
DWG NO. / FILE NO.				Rigid Wall Base 3				SCALE				3"=1'-0"			
DRAWN BY		DAS		DATE		3-6-06		APPR. BY		JEB		DATE		6-2-06	
REVISION NO.		XXXX		REVISION DATE		MM/DD/YY		APPR. BY		XXXX		APPR. DATE		MM/DD/YY	

Rev. No.	Revision Date	Drawn By	Description of Revision
0	6-2-06	DAS	Rigid Wall Base 3



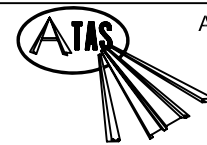
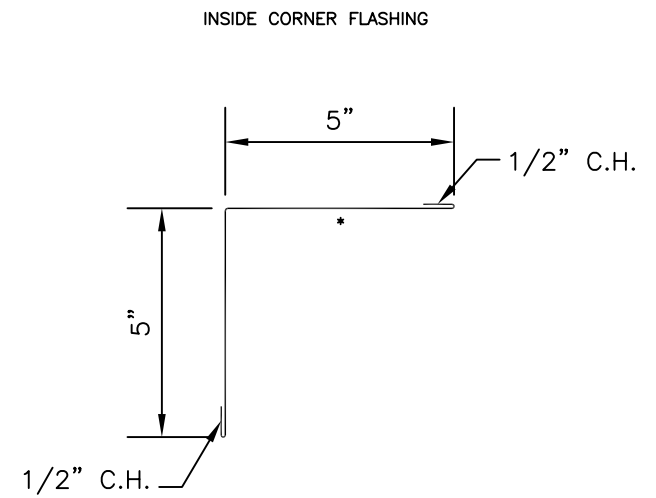
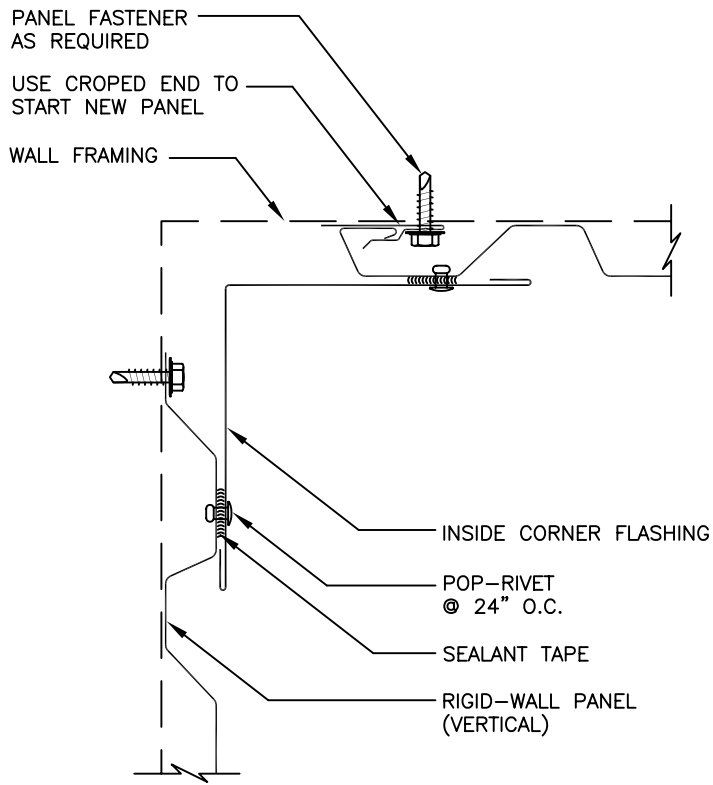
VERTICAL RIGID-WALL



ATAS INTERNATIONAL, INC.
 Allentown PA
 610-395-8445
 Mesa AZ
 480-558-7210

TITLE		Rigid Wall Base 4					
DWG NO. / FILE NO.		Rigid Wall Base 4				SCALE	3"=1'-0"
DRAWN BY	DAS	DATE	3-6-06	APPR. BY	JEB	DATE	6-2-06
REVISION NO.	XXXX	REVISION DATE	MM/DD/YY	APPR. BY	XXXX	APPR. DATE	MM/DD/YY

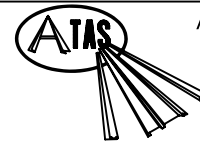
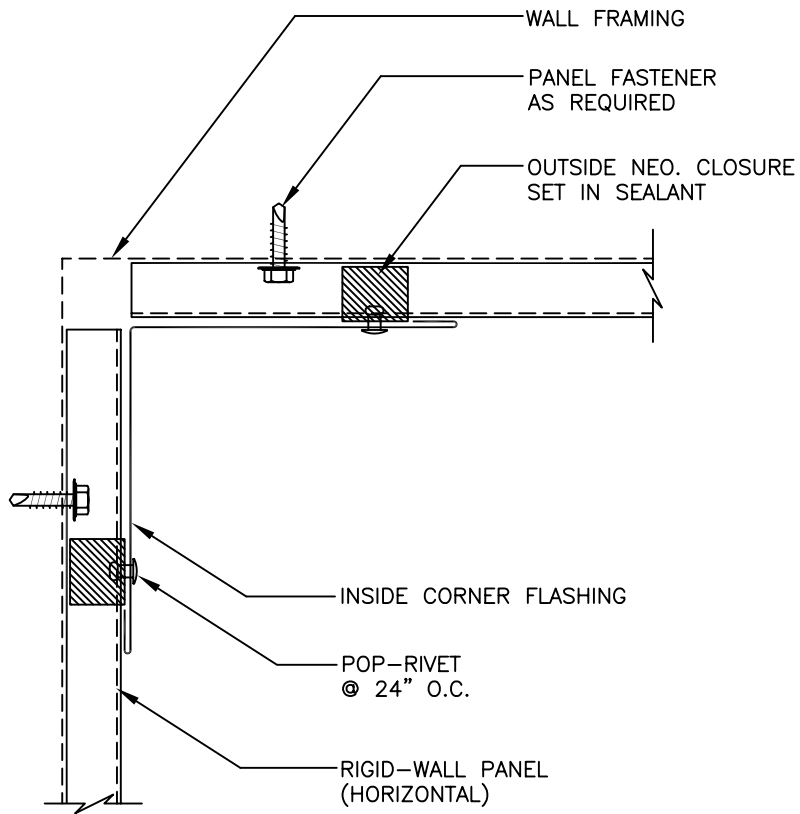
Rev. No.	Revision Date	Drawn By	Description of Revision
0	6-2-06	DAS	Rigid Wall Base 4



ATAS INTERNATIONAL, INC.
 Allentown PA
 610-395-8445
 Mesa AZ
 480-558-7210

TITLE		MFR Inside Corner					
DWG NO. / FILE NO.		MFR Inside Corner				SCALE	3"=1'-0"
DRAWN BY	DAS	DATE	3-6-06	APPR. BY	JEB	DATE	6-2-06
REVISION NO.	XXXX	REVISION DATE	MM/DD/YY	APPR. BY	XXXX	APPR. DATE	MM/DD/YY

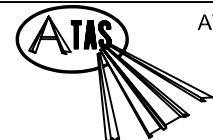
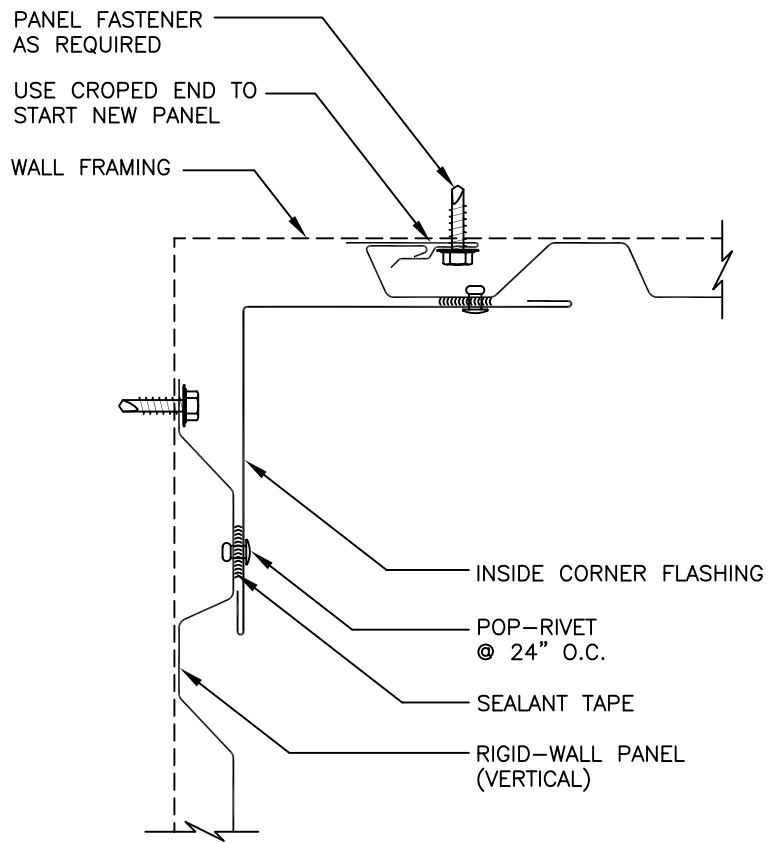
Rev. No.	Revision Date	Drawn By	Description of Revision
0	6-2-06	DAS	MFR Inside Corner



ATAS INTERNATIONAL, INC.
Allentown PA
610-395-8445
Mesa AZ
480-558-7210

TITLE		Rigid Wall Horizontal Inside Corner					
DWG NO. / FILE NO.		Rigid Wall Horizontal Inside Corner			SCALE	3"=1'-0"	
DRAWN BY	DAS	DATE	3-6-06	APPR. BY	JEB	DATE	6-2-06
REVISION NO.	XXXX	REVISION DATE	MM/DD/YY	APPR. BY	XXXX	APPR. DATE	MM/DD/YY

Rev. No.	Revision Date	Drawn By	Description of Revision
0	6-2-06	DAS	Rigid Wall Horizontal Inside Corner

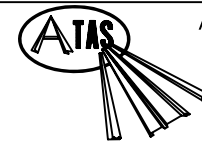
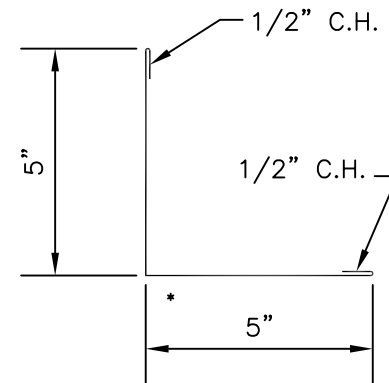
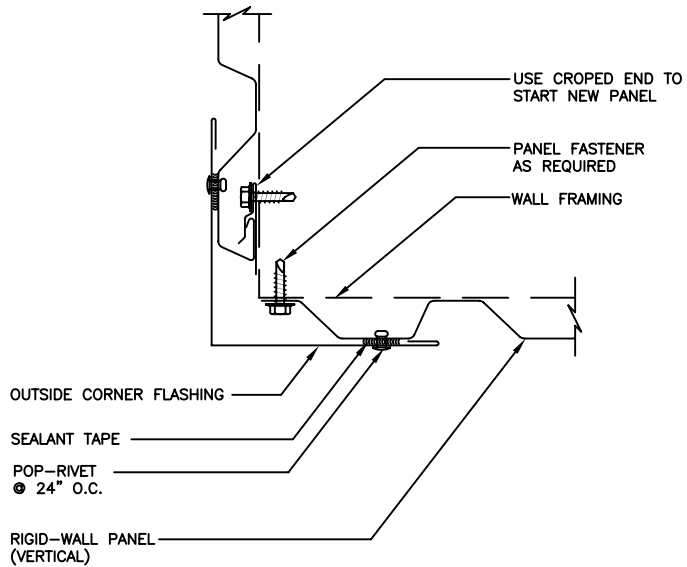


ATAS INTERNATIONAL, INC.
 Allentown PA
 610-395-8445
 Mesa AZ
 480-558-7210

TITLE Rigid Wall Vertical Inside Corner							
DWG NO. / FILE NO. Rigid Wall Vertical Inside Corner						SCALE 3"=1'-0"	
DRAWN BY DAS		DATE 3-6-06		APPR. BY JEB		DATE 6-2-06	
REVISION NO. XXXX		REVISION DATE MM/DD/YY		APPR. BY XXXX		APPR. DATE MM/DD/YY	

Rev. No.	Revision Date	Drawn By	Description of Revision
0	6-2-06	DAS	Rigid Wall Vertical Inside Corner

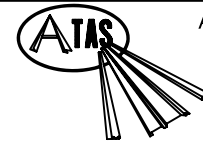
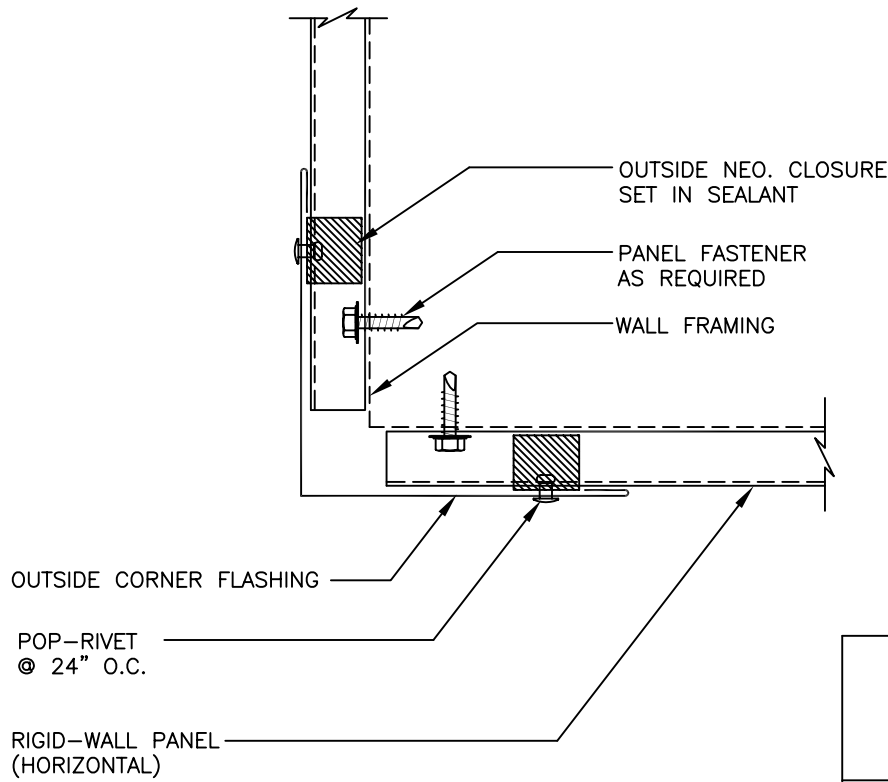
OUTSIDE CORNER FLASHING



ATAS INTERNATIONAL, INC.
 Allentown PA
 610-395-8445
 Mesa AZ
 480-558-7210

TITLE		MFR Outside Corner					
DWG NO. / FILE NO.		MFR Outside Corner			SCALE	3"=1'-0"	
DRAWN BY	DAS	DATE	3-6-06	APPR. BY	JEB	DATE	6-2-06
REVISION NO.	XXXX	REVISION DATE	MM/DD/YY	APPR. BY	XXXX	APPR. DATE	MM/DD/YY

Rev. No.	Revision Date	Drawn By	Description of Revision
0	6-2-06	DAS	MFR Outside Corner



ATAS INTERNATIONAL, INC.
 Allentown PA
 610-395-8445
 Mesa AZ
 480-558-7210

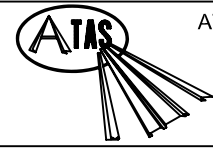
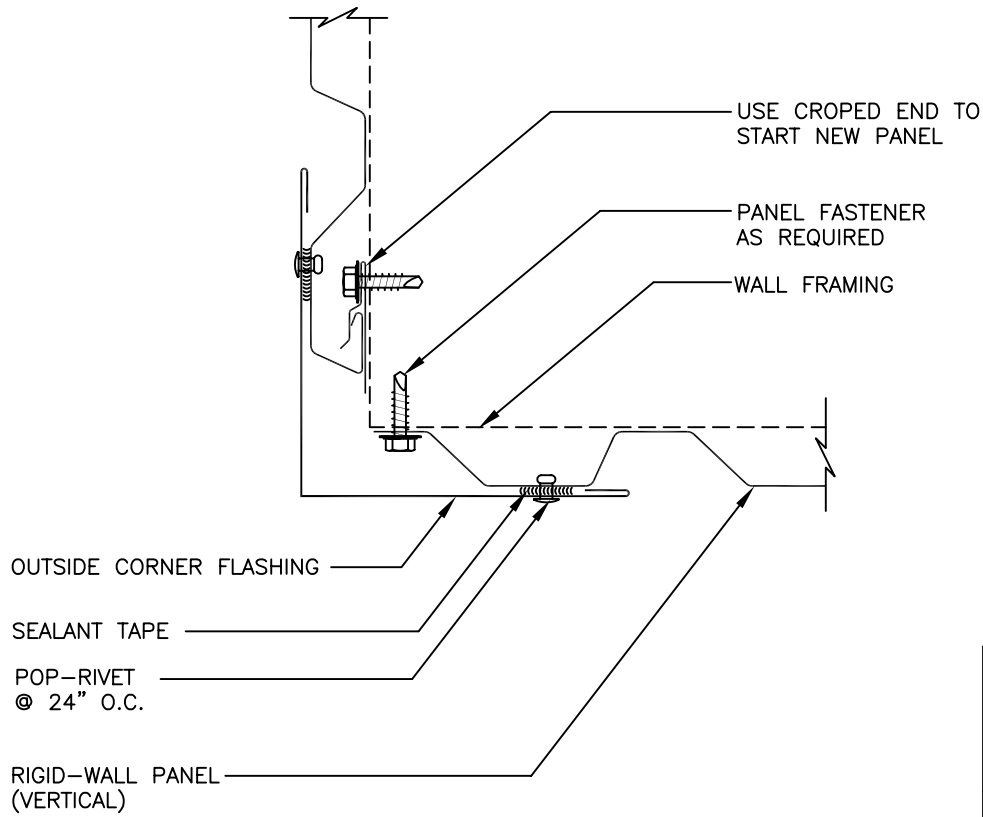
TITLE Rigid Wall Horizontal Outside Corner

DWG NO. / FILE NO. Rigid Wall Horizontal Outside Corner SCALE 3"=1'-0"

DRAWN BY DAS DATE 3-6-06 APPR. BY JEB DATE 6-2-06

REVISION NO. XXXX REVISION DATE MM/DD/YY APPR. BY XXXX DATE MM/DD/YY

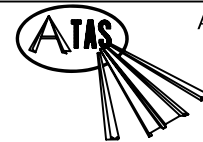
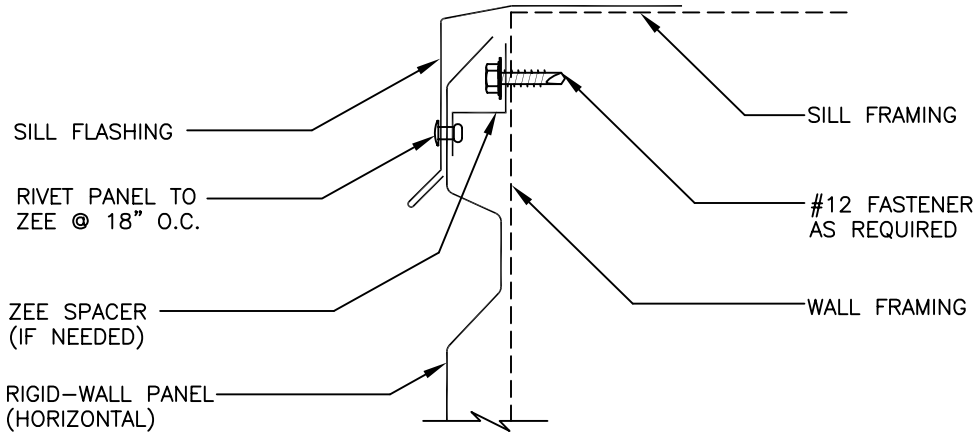
Rev. No.	Revision Date	Drawn By	Description of Revision
0	6-2-06	DAS	Rigid Wall Horizontal Outside Corner



ATAS INTERNATIONAL, INC.
 Allentown PA
 610-395-8445
 Mesa AZ
 480-558-7210

TITLE								Rigid Wall Vertical Outside Corner			
DWG NO. / FILE NO.		Rigid Wall Vertical Outside Corner						SCALE		3"=1'-0"	
DRAWN BY	DAS	DATE	3-6-06	APPR. BY	JEB	DATE	6-2-06				
REVISION NO.	XXXX	REVISION DATE	MM/DD/YY	APPR. BY	XXXX	APPR. DATE	MM/DD/YY				

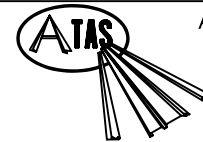
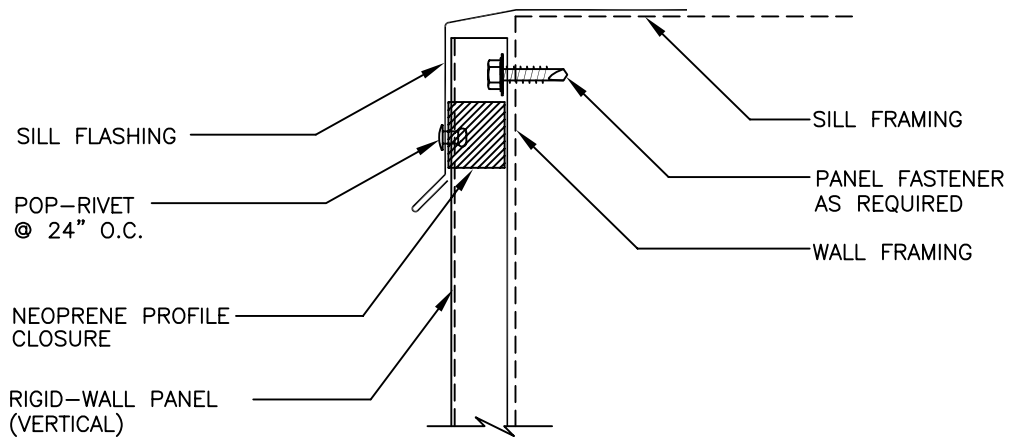
Rev. No.	Revision Date	Drawn By	Description of Revision
0	6-2-06	DAS	Rigid Wall Vertical Outside Corner



ATAS INTERNATIONAL, INC.
 Allentown PA
 610-395-8445
 Mesa AZ
 480-558-7210

TITLE		Rigid Wall Horizontal Sill					
DWG NO. / FILE NO.		Rigid Wall Horizontal Sill				SCALE	3"=1'-0"
DRAWN BY	DAS	DATE	3-6-06	APPR. BY	JEB	DATE	6-2-06
REVISION NO.	XXXX	REVISION DATE	MM/DD/YY	APPR. BY	XXXX	APPR. DATE	MM/DD/YY

Rev. No.	Revision Date	Drawn By	Description of Revision
0	6-2-06	DAS	Rigid Wall Horizontal Sill

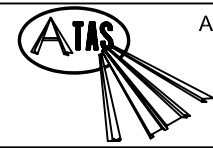
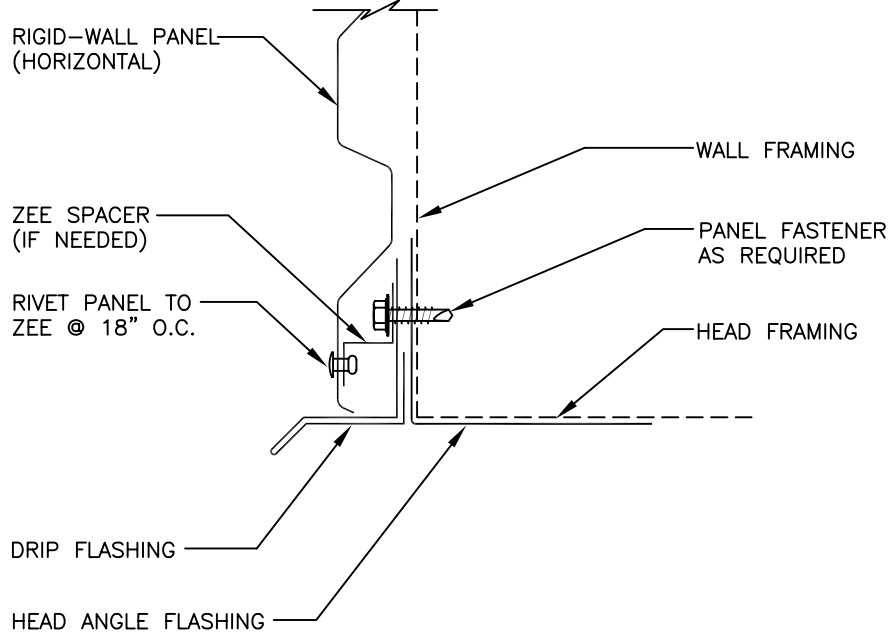


ATAS INTERNATIONAL, INC.

Allentown PA
 610-395-8445
 Mesa AZ
 480-558-7210

TITLE								Rigid Wall Vertical Sill			
DWG NO. / FILE NO.				Rigid Wall Vertical Sill				SCALE		3"=1'-0"	
DRAWN BY		DAS		DATE		3-6-06		APPR. BY		JEB	
REVISION NO.		XXXX		REVISION DATE		MM/DD/YY		APPR. BY		XXXX	
DATE		6-2-06		DATE		6-2-06		DATE		MM/DD/YY	

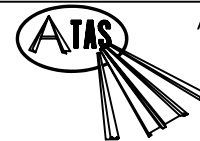
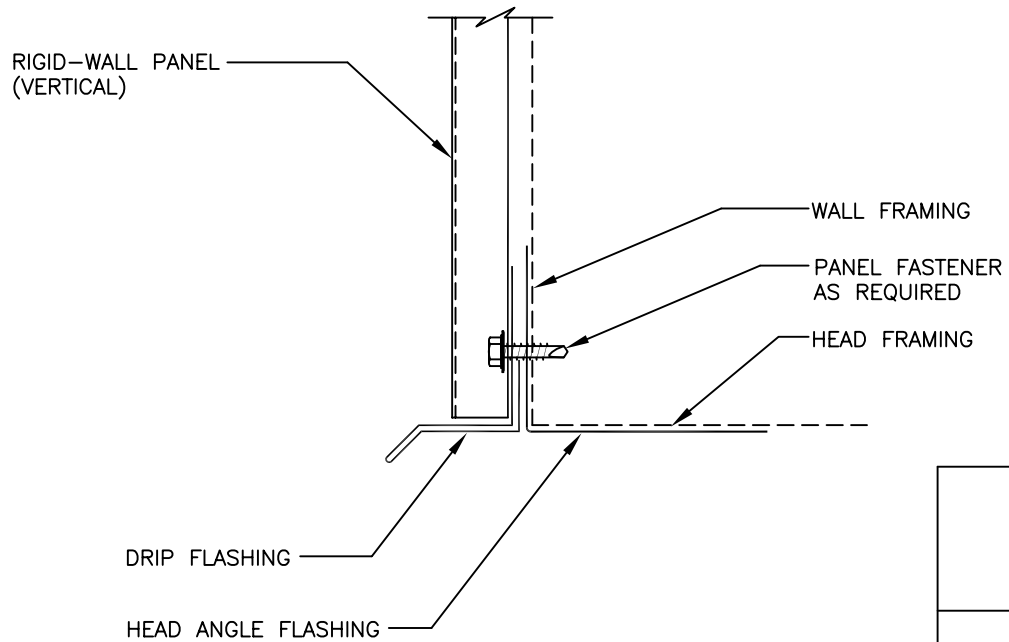
Rev. No.	Revision Date	Drawn By	Description of Revision
0	6-2-06	DAS	Rigid Wall Vertical Sill



ATAS INTERNATIONAL, INC.
 Allentown PA
 610-395-8445
 Mesa AZ
 480-558-7210

TITLE		Rigid Wall Horizontal Head					
DWG NO. / FILE NO.		Rigid Wall Horizontal Head				SCALE	3"=1'-0"
DRAWN BY	DAS	DATE	3-6-06	APPR. BY	JEB	DATE	6-2-06
REVISION NO.	XXXX	REVISION DATE	MM/DD/YY	APPR. BY	XXXX	APPR. DATE	MM/DD/YY

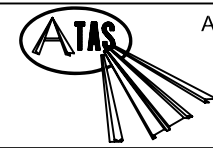
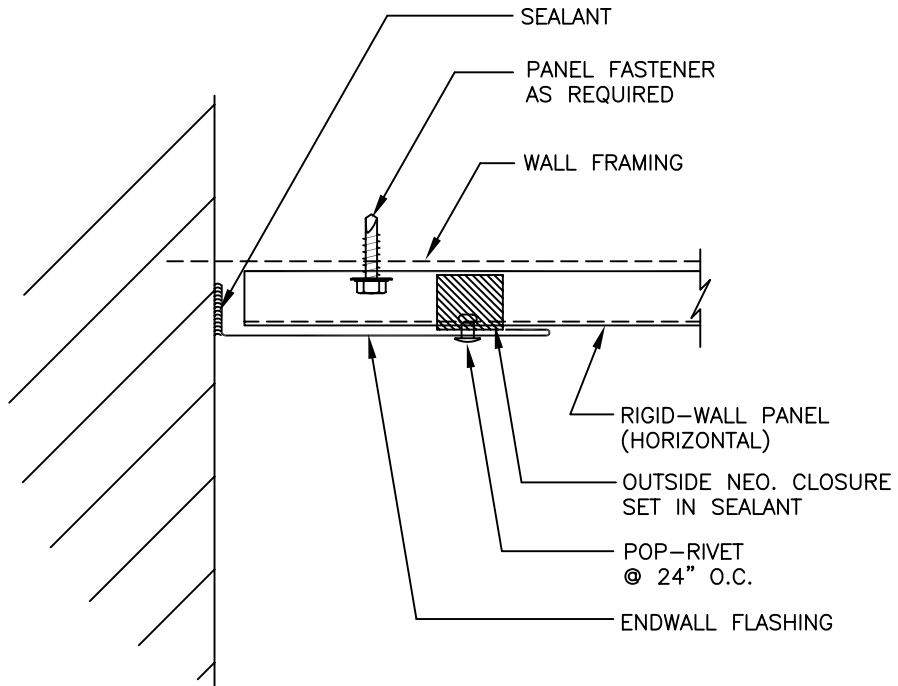
Rev. No.	Revision Date	Drawn By	Description of Revision
0	6-2-06	DAS	Rigid Wall Horizontal Head



ATAS INTERNATIONAL, INC.
 Allentown PA
 610-395-8445
 Mesa AZ
 480-558-7210

TITLE		Rigid Wall Vertical Head					
DWG NO. / FILE NO.		Rigid Wall Vertical Head				SCALE	3"=1'-0"
DRAWN BY	DAS	DATE	3-6-06	APPR. BY	JEB	DATE	6-2-06
REVISION NO.	XXXX	REVISION DATE	MM/DD/YY	APPR. BY	XXXX	APPR. DATE	MM/DD/YY

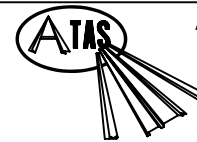
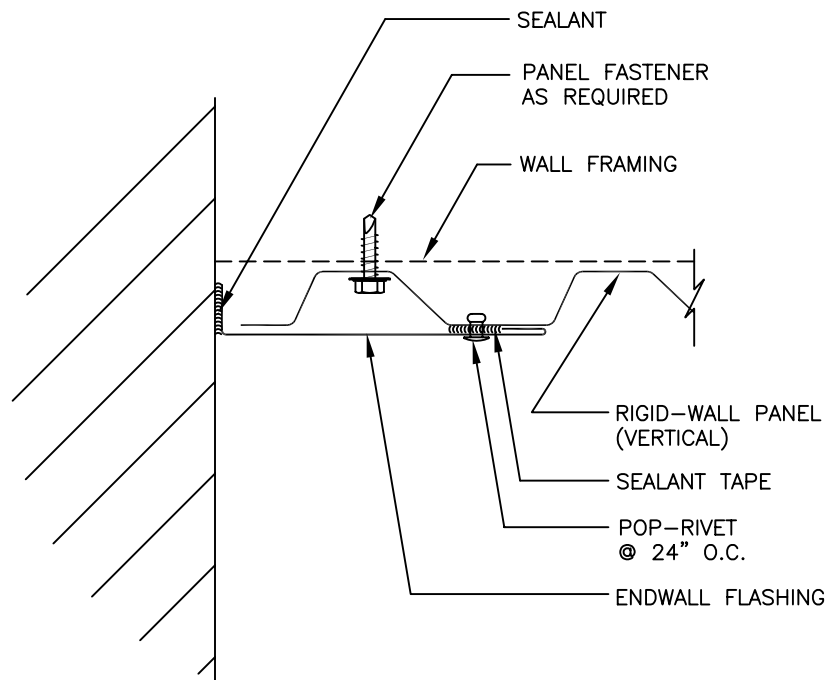
Rev. No.	Revision Date	Drawn By	Description of Revision
0	6-2-06	DAS	Rigid Wall Vertical Head



ATAS INTERNATIONAL, INC.
 Allentown PA
 610-395-8445
 Mesa AZ
 480-558-7210

TITLE Rigid Wall Horizontal Endwall							
DWG NO. / FILE NO. Rigid Wall Horizontal Endwall				SCALE 3"=1'-0"			
DRAWN BY DAS	DATE 3-6-06	APPR. BY JEB	DATE 6-2-06				
REVISION NO. XXXX	REVISION DATE MM/DD/YY	APPR. BY XXXX	APPR. DATE MM/DD/YY				

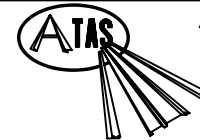
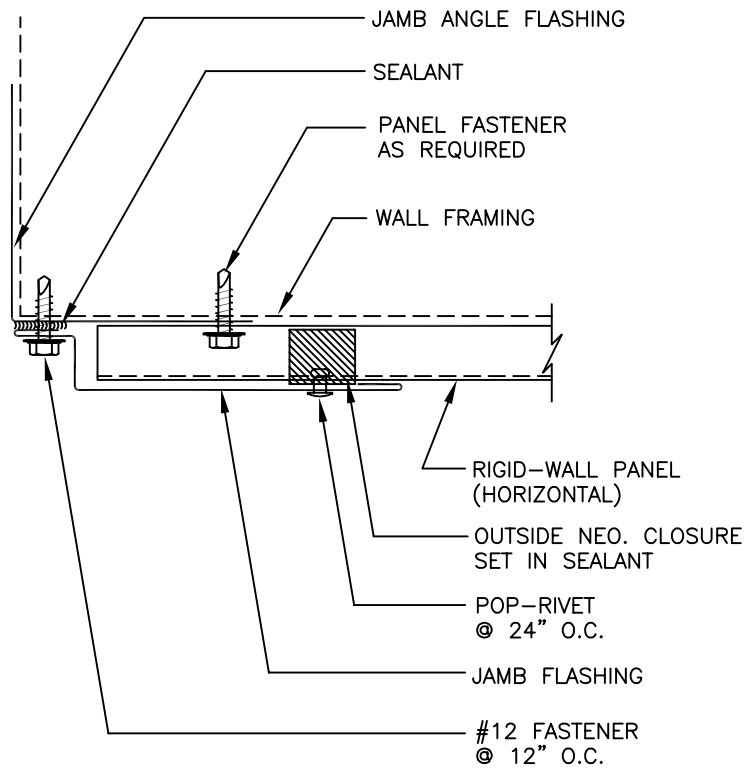
Rev. No.	Revision Date	Drawn By	Description of Revision
0	6-2-06	DAS	Rigid Wall Horizontal Endwall



ATAS INTERNATIONAL, INC.
 Allentown PA
 610-395-8445
 Mesa AZ
 480-558-7210

TITLE		Rigid Wall Vertical Endwall					
DWG NO. / FILE NO.		Rigid Wall Vertical Endwall				SCALE	3"=1'-0"
DRAWN BY	DAS	DATE	3-6-06	APPR. BY	JEB	DATE	6-2-06
REVISION NO.	XXXX	REVISION DATE	MM/DD/YY	APPR. BY	XXXX	APPR. DATE	MM/DD/YY

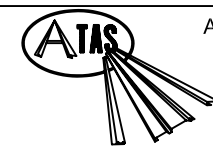
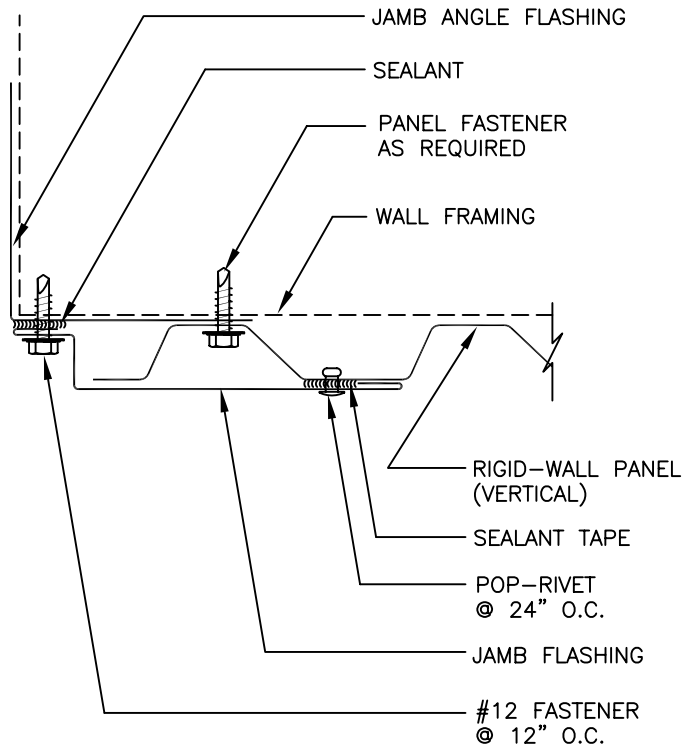
Rev. No.	Revision Date	Drawn By	Description of Revision
0	6-2-06	DAS	Rigid Wall Vertical Endwall



ATAS INTERNATIONAL, INC.
 Allentown PA
 610-395-8445
 Mesa AZ
 480-558-7210

TITLE		Rigid Wall Horizontal Jamb					
DWG NO. / FILE NO.		Rigid Wall Horizontal Jamb				SCALE	3"=1'-0"
DRAWN BY	DAS	DATE	3-6-06	APPR. BY	JEB	DATE	6-2-06
REVISION NO.	XXXX	REVISION DATE	MM/DD/YY	APPR. BY	XXXX	APPR. DATE	MM/DD/YY

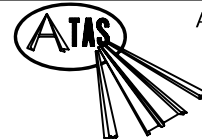
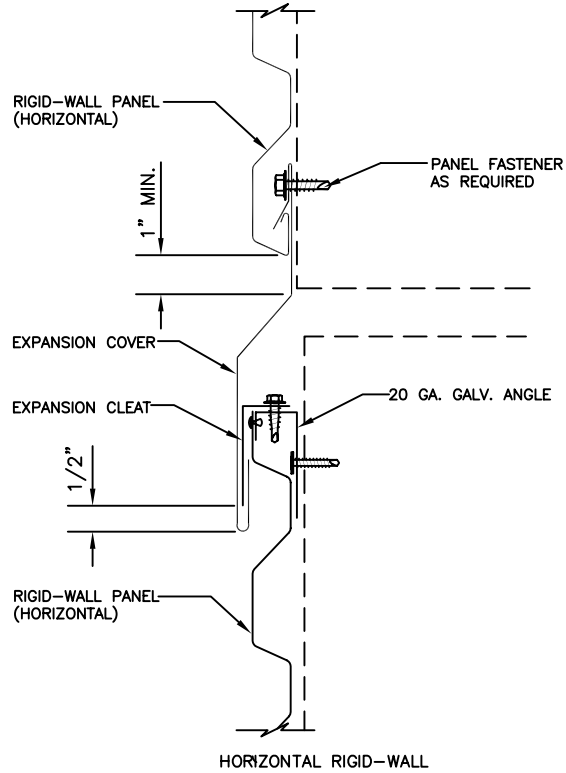
Rev. No.	Revision Date	Drawn By	Description of Revision
0	6-2-06	DAS	Rigid Wall Horizontal Jamb



ATAS INTERNATIONAL, INC.
 Allentown PA
 610-395-8445
 Mesa AZ
 480-558-7210

TITLE Rigid Wall Vertical Jamb							
DWG NO. / FILE NO. Rigid Wall Vertical Jamb						SCALE 3"=1'-0"	
DRAWN BY DAS	DATE 3-6-06	APPR. BY JEB	DATE 6-2-06				
REVISION NO. XXXX	REVISION DATE MM/DD/YY	APPR. BY XXXX	APPR. DATE MM/DD/YY				

Rev. No.	Revision Date	Drawn By	Description of Revision
0	6-2-06	DAS	Rigid Wall Vertical Jamb



ATAS INTERNATIONAL, INC.
 Allentown PA
 610-395-8445
 Mesa AZ
 480-558-7210

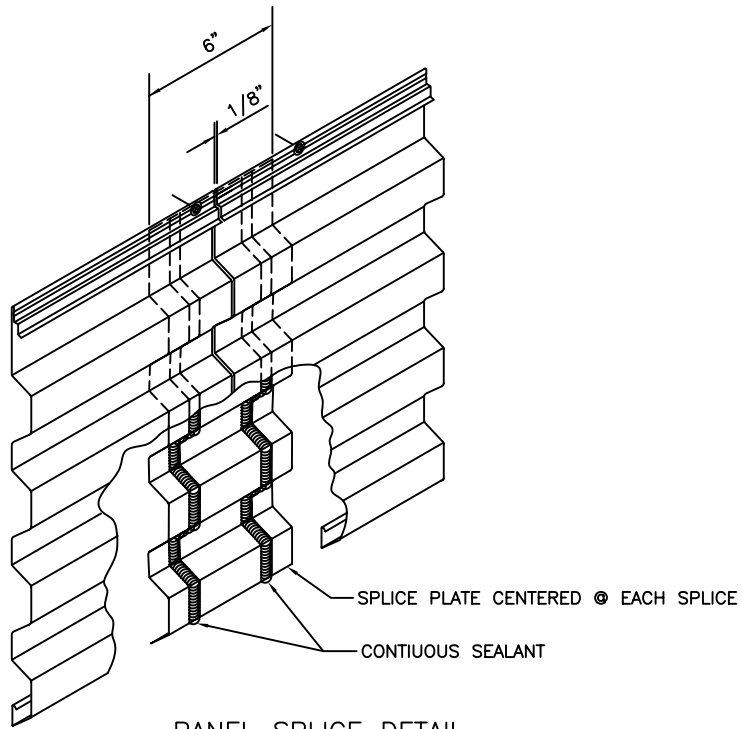
TITLE Flush or Recessed Filler Clips

DWG NO. / FILE NO. Flush or Recessed Filler Clips SCALE 3"=1'-0"

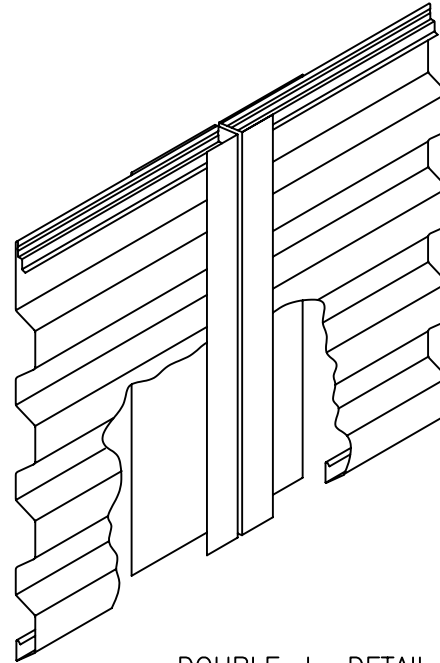
DRAWN BY DAS DATE 3-6-06 APPR. BY JEB DATE 6-2-06

REVISION NO. XXXX REVISION DATE MM/DD/YY APPR. BY XXXX APPR. DATE MM/DD/YY

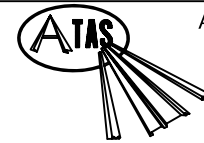
Rev. No.	Revision Date	Drawn By	Description of Revision
0	6-2-06	DAS	Rigidi Wall Expansion Joint



PANEL SPLICE DETAIL



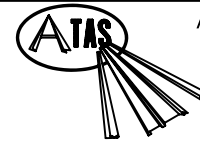
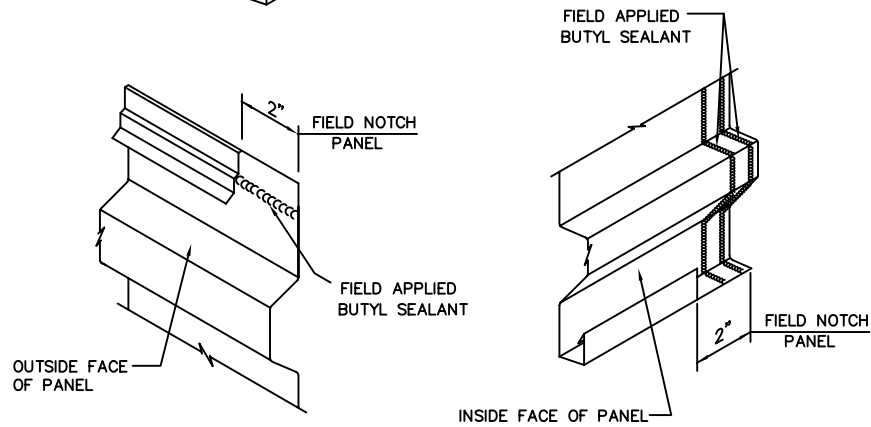
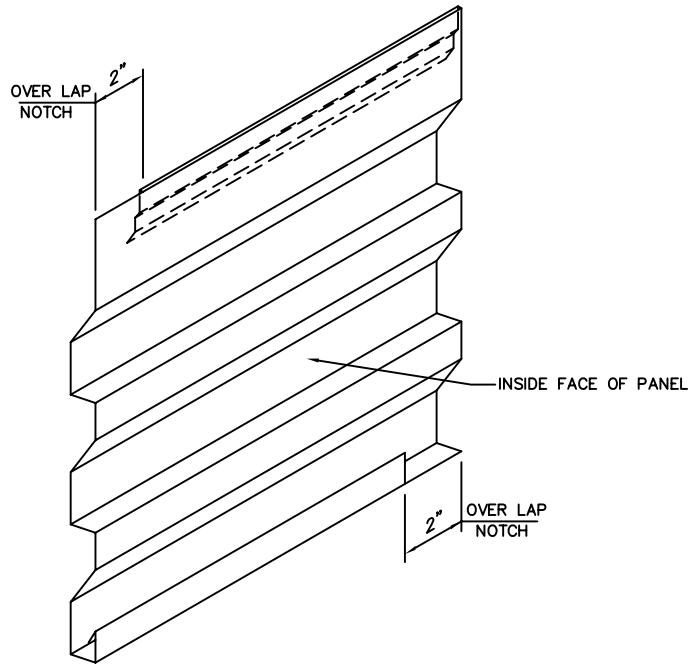
DOUBLE J DETAIL



ATAS INTERNATIONAL, INC.
 Allentown PA
 610-395-8445
 Mesa AZ
 480-558-7210

TITLE		Rigid Wall Splice Detail					
DWG NO. / FILE NO.		Rigid Wall Splice Detail				SCALE	3"=1'-0"
DRAWN BY	DAS	DATE	3-6-06	APPR. BY	JEB	DATE	6-2-06
REVISION NO.	XXXX	REVISION DATE	MM/DD/YY	APPR. BY	XXXX	APPR. DATE	MM/DD/YY

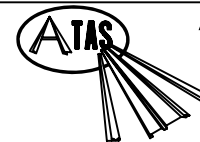
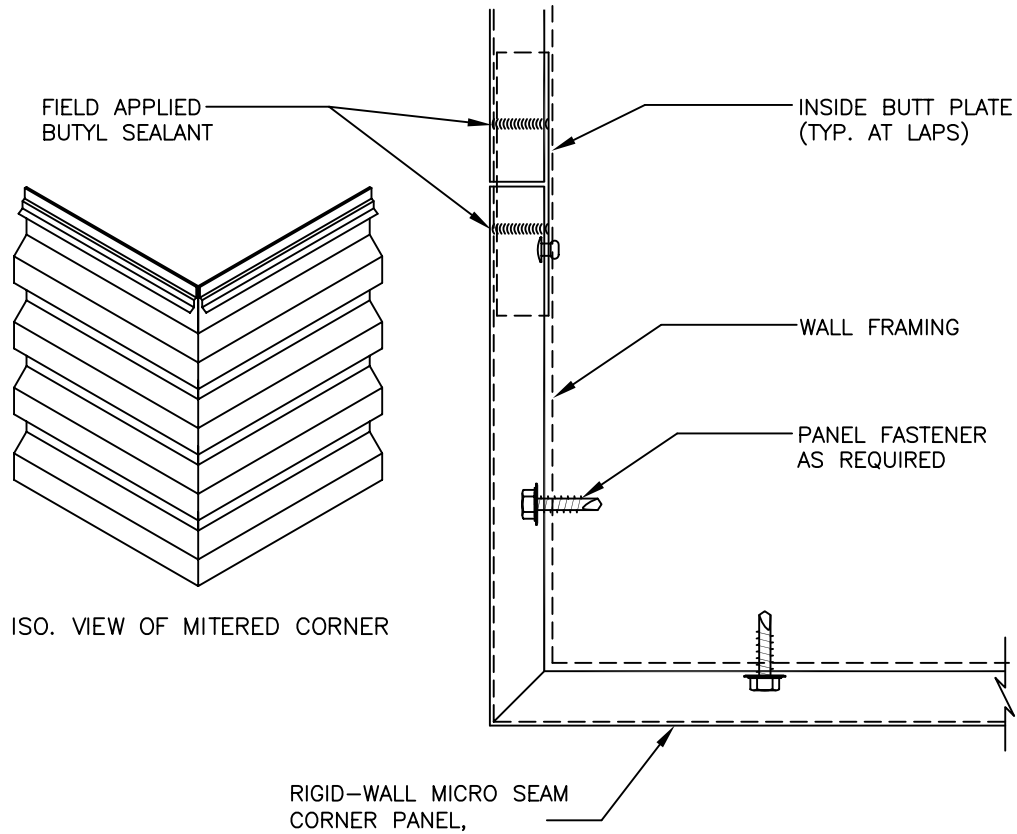
Rev. No.	Revision Date	Drawn By	Description of Revision
0	6-2-06	DAS	Rigid Wall Splice Detail



ATAS INTERNATIONAL, INC.
 Allentown PA
 610-395-8445
 Mesa AZ
 480-558-7210

TITLE		Rigid Wall Horizontal Panel Splice				SCALE	3"=1'-0"
DWG NO. / FILE NO.		Rigid Wall Horizontal Panel Splice					
DRAWN BY	DAS	DATE	3-6-06	APPR. BY	JEB	DATE	6-2-06
REVISION NO.	XXXX	REVISION DATE	MM/DD/YY	APPR. BY	XXXX	APPR. DATE	MM/DD/YY

Rev. No.	Revision Date	Drawn By	Description of Revision
0	6-2-06	DAS	Rigid Wall Horizontal Panel Splice



ATAS INTERNATIONAL, INC.
 Allentown PA
 610-395-8445
 Mesa AZ
 480-558-7210

TITLE								Rigid Wall Outside Corner Detail							
DWG NO. / FILE NO.						Rigid Wall Outside Corner Detail				SCALE		3"=1'-0"			
DRAWN BY		DAS		DATE		3-6-06		APPR. BY		JEB		DATE		6-2-06	
REVISION NO.		XXXX		REVISION DATE		MM/DD/YY		APPR. BY		XXXX		APPR. DATE		MM/DD/YY	

Rev. No.	Revision Date	Drawn By	Description of Revision
0	6-2-06	DAS	Rigid Wall Outside Corner Detail