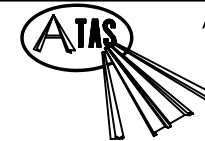
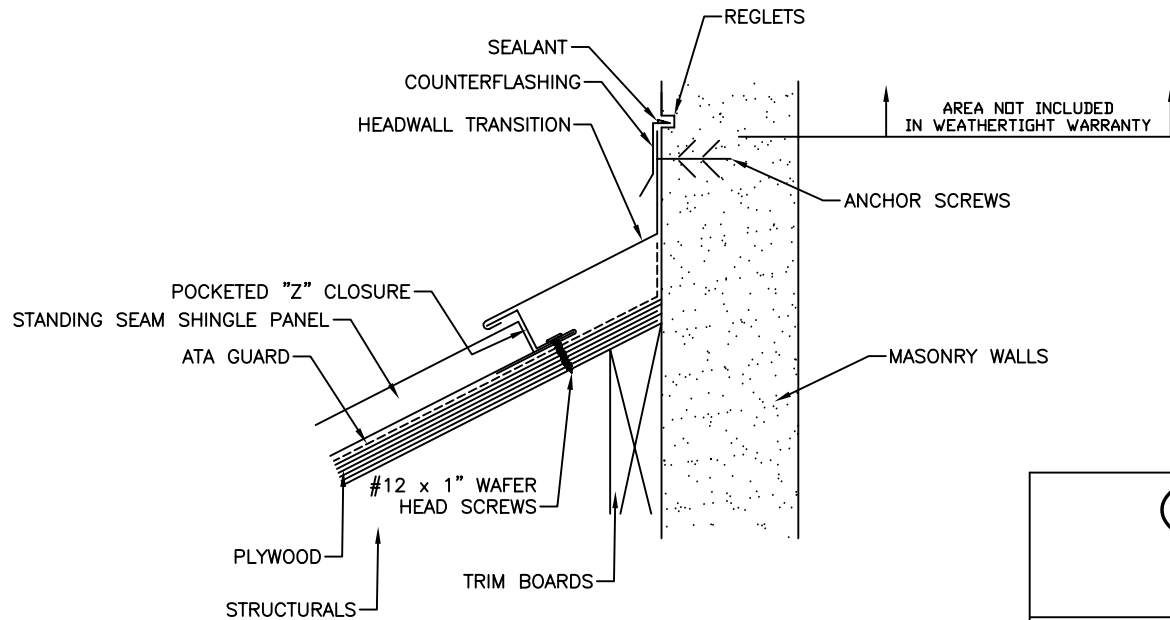
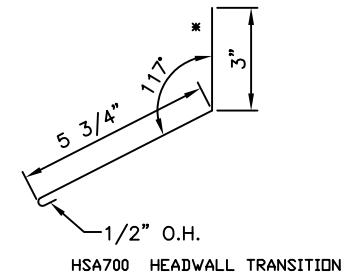
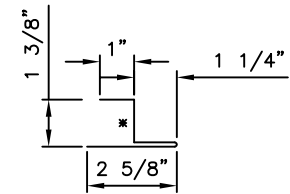
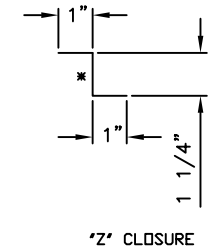


ALTERNATE - USE STANDARD "Z" CLOSURE IN PLACE OF
 POCKETED "Z" CLOSURE. POCKETED "Z" CLOSURE MUST
 BE CUT TO FIT BETWEEN THE SEAMS.



ATAS INTERNATIONAL, INC.
 Allentown PA
 610-395-8445
 Mesa AZ
 480-558-7210

TITLE		Standing Seam Headwall - ply			
DWG NO. / FILE NO.		Standing Seam Headwall - ply		SCALE	3"=1'-0"
DRAWN BY	DAS	DATE	3-6-06	APPR. BY	JEB
REVISION NO.	XXXX	REVISION DATE	MM/DD/YY	APPR. BY	XXXX
DATE	6-5-06	DATE	MM/DD/YY	DATE	MM/DD/YY

Rev. No.	Revision Date	Drawn By	Description of Revision
0	6-5-06	DAS	Standing Seam Headwall - ply