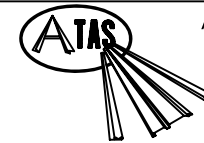


OUTSIDE CORNER TRIM

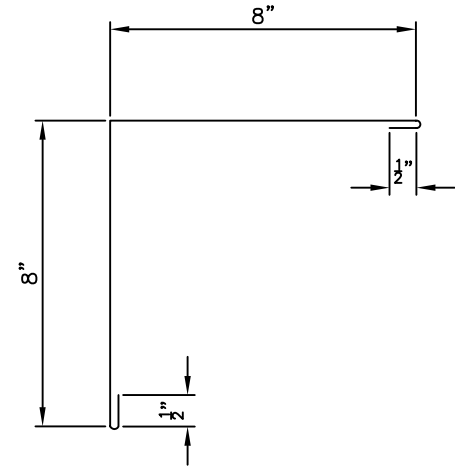
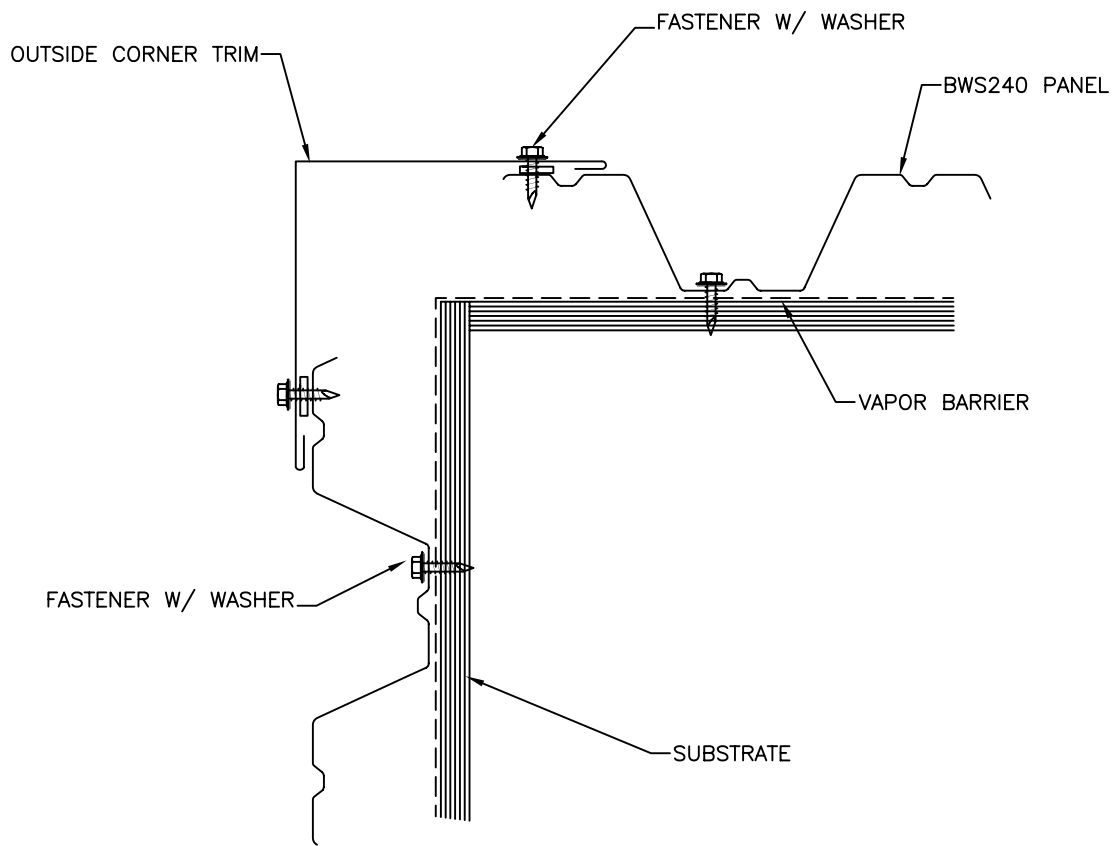


ATAS INTERNATIONAL, INC.

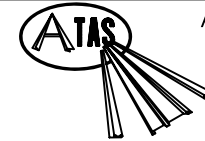
Allentown PA
610-395-8445
Mesa AZ
480-558-7210

| | | | | | | | |
|--------------------|------|------------------------------------------|----------|----------|------|------------|----------|
| TITLE | | BWS240 Outside Corner - panel horizontal | | | | | |
| DWG NO. / FILE NO. | | BWS Outside Corner Horizontal | | | | SCALE | 3"=1'-0" |
| DRAWN BY | LDS | DATE | 8-3-07 | APPR. BY | DAS | DATE | 8-3-07 |
| REVISION NO. | XXXX | REVISION DATE | MM/DD/YY | APPR. BY | XXXX | APPR. DATE | MM/DD/YY |

| Rev. No. | Revision Date | Drawn By | Description of Revision |
|----------|---------------|----------|------------------------------------------|
| 0 | 8-3-07 | LDS | BWS240 Outside Corner - panel horizontal |



OUTSIDE CORNER TRIM

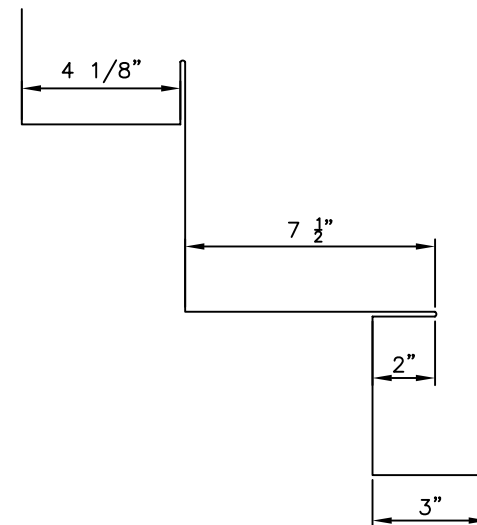
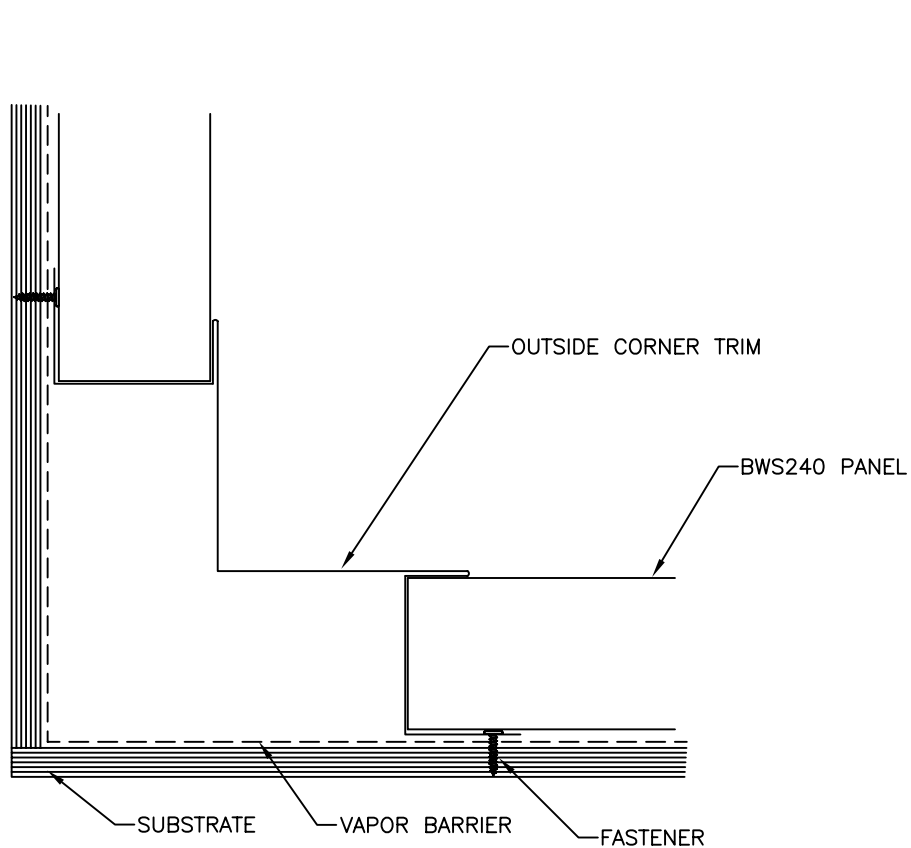


ATAS INTERNATIONAL, INC.

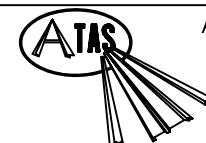
Allentown PA
610-395-8445
Mesa AZ
480-558-7210

| | | | | | | | | | | | |
|--------------------|--|----------|--|-----------------------------|--|----------|--|---------------------------------------|--|----------|--|
| TITLE | | | | | | | | BWS240Outside Corner - panel vertical | | | |
| DWG NO. / FILE NO. | | | | BWS Outside Corner Vertical | | | | SCALE | | 3"=1'-0" | |
| DRAWN BY | | LDS | | DATE | | 8-3-07 | | APPR. BY | | DAS | |
| DATE | | 8-3-07 | | APPR. BY | | DAS | | DATE | | 8-3-07 | |
| REVISION NO. | | XXXX | | REVISION DATE | | MM/DD/YY | | APPR. BY | | XXXX | |
| DATE | | MM/DD/YY | | APPR. BY | | XXXX | | APPR. DATE | | MM/DD/YY | |

| Rev. No. | Revision Date | Drawn By | Description of Revision |
|----------|---------------|----------|----------------------------------------|
| 0 | 8-3-07 | LDS | BWS240 Outside Corner - panel vertical |



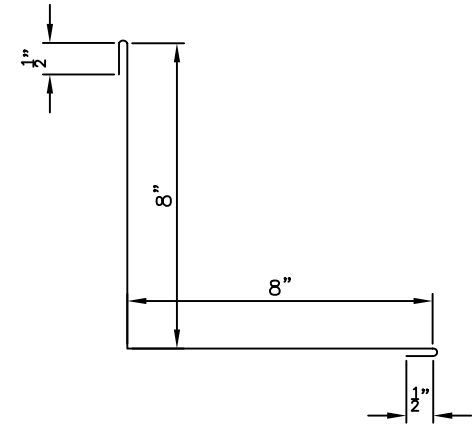
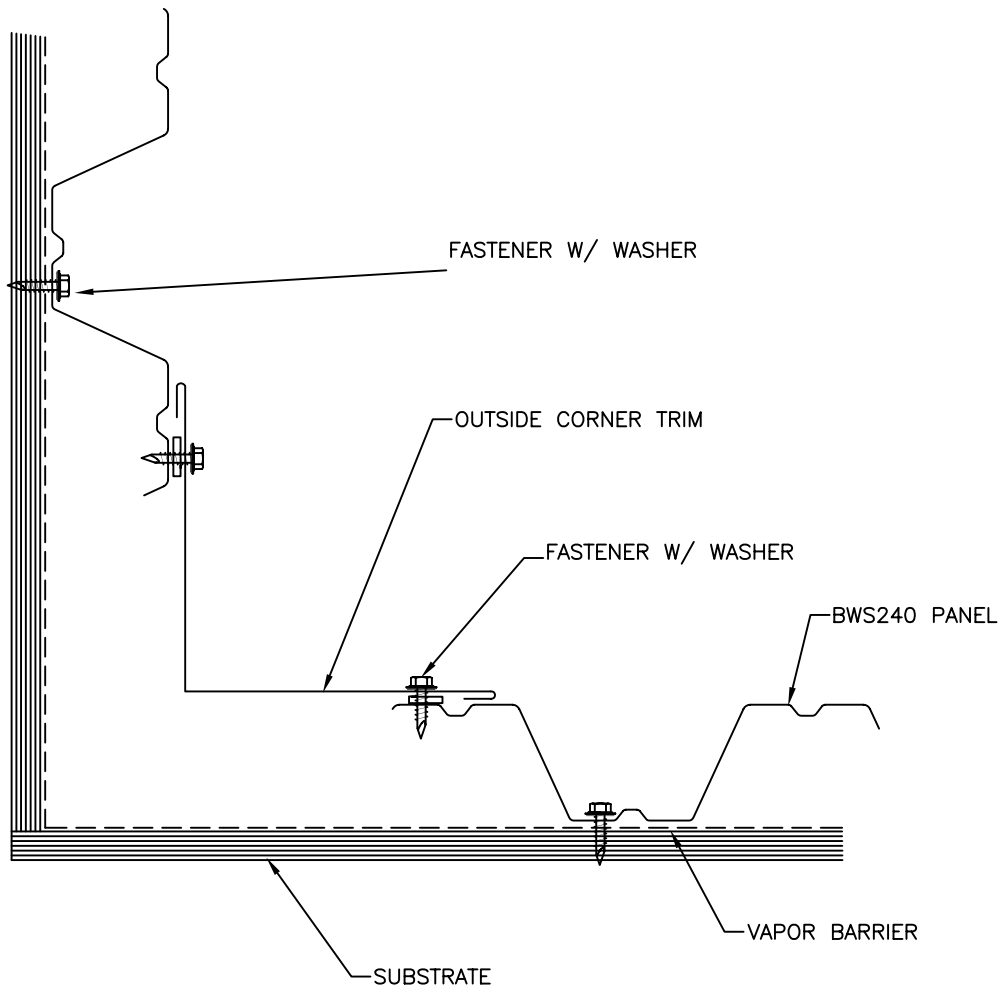
INSIDE CORNER TRIM



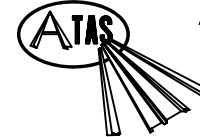
ATAS INTERNATIONAL, INC.
 Allentown PA
 610-395-8445
 Mesa AZ
 480-558-7210

| | | | | | |
|--------------------|--------|-----------------------------------------|----------|----------|----------|
| TITLE | | BWS240 Inside Corner - panel horizontal | | | |
| DWG NO. / FILE NO. | | BWS Inside Corner Horizontal | | SCALE | 3"=1'-0" |
| DRAWN BY | LDS | DATE | 8-3-07 | APPR. BY | DAS |
| REVISION NO. | XXXX | REVISION DATE | MM/DD/YY | APPR. BY | XXXX |
| DATE | 8-3-07 | DATE | 8-3-07 | DATE | MM/DD/YY |

| Rev. No. | Revision Date | Drawn By | Description of Revision |
|----------|---------------|----------|-----------------------------------------|
| 0 | 8-3-07 | LDS | BWS240 Inside Corner - panel horizontal |



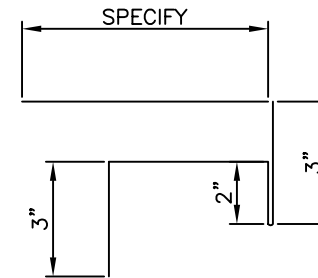
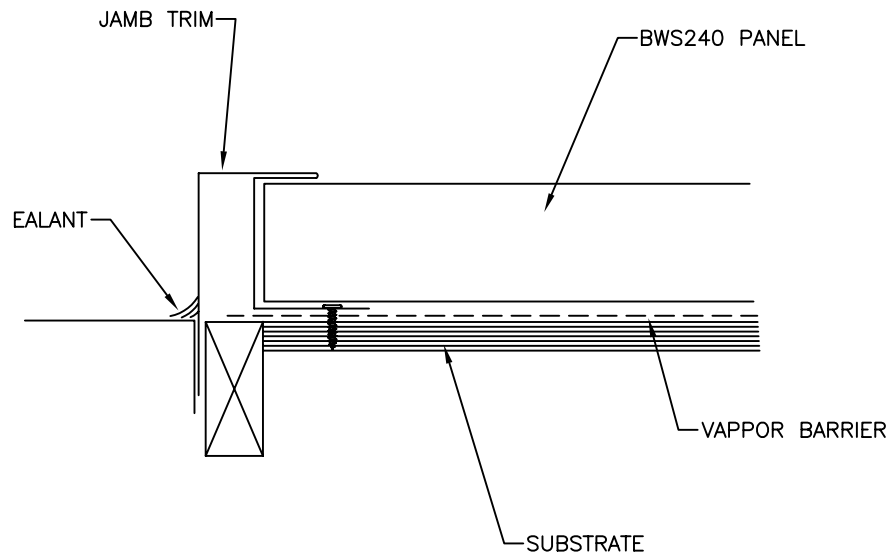
INSIDE CORNER TRIM



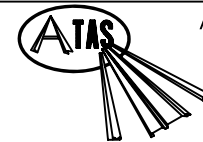
ATAS INTERNATIONAL, INC.
 Allentown PA
 610-395-8445
 Mesa AZ
 480-558-7210

| | | | | | | | |
|--------------------|------|---------------------------------------|----------|----------|------|------------|----------|
| TITLE | | BWS240 Inside Corner - panel vertical | | | | | |
| DWG NO. / FILE NO. | | BWS Inside Corner Vertical | | | | SCALE | 3"=1'-0" |
| DRAWN BY | LDS | DATE | 8-3-07 | APPR. BY | DAS | DATE | 8-3-07 |
| REVISION NO. | XXXX | REVISION DATE | MM/DD/YY | APPR. BY | XXXX | APPR. DATE | MM/DD/YY |

| Rev. No. | Revision Date | Drawn By | Description of Revision |
|----------|---------------|----------|---------------------------------------|
| 0 | 8-3-07 | LDS | BWS240 Inside Corner - panel vertical |



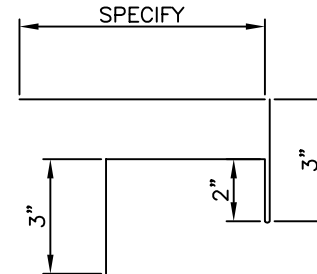
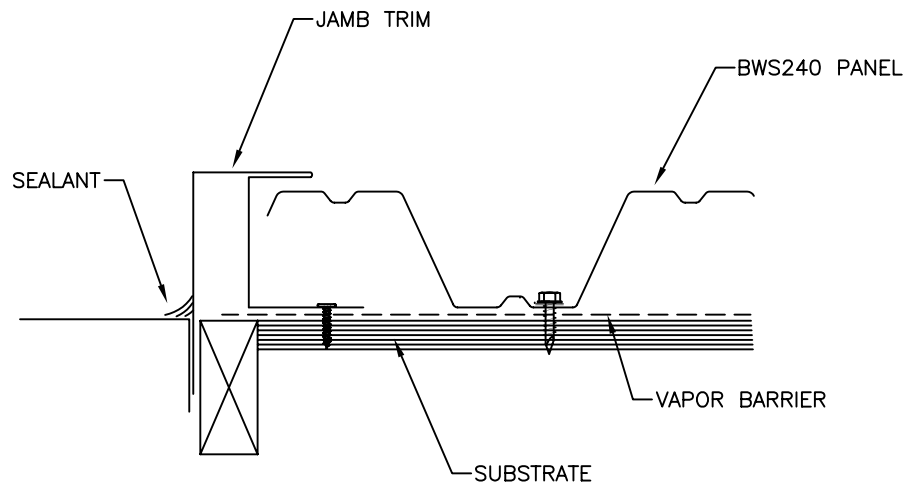
JAMB TRIM



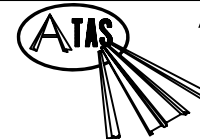
ATAS INTERNATIONAL, INC.
 Allentown PA
 610-395-8445
 Mesa AZ
 480-558-7210

| | | | | | | | |
|--------------------|------|---------------------------------------|----------|----------|------|------------|----------|
| TITLE | | BWS240 Jamb Detail - panel horizontal | | | | | |
| DWG NO. / FILE NO. | | BWS Jamb Horizontal | | | | SCALE | 3"=1'-0" |
| DRAWN BY | LDS | DATE | 8-3-07 | APPR. BY | DAS | DATE | 8-3-07 |
| REVISION NO. | XXXX | REVISION DATE | MM/DD/YY | APPR. BY | XXXX | APPR. DATE | MM/DD/YY |

| Rev. No. | Revision Date | Drawn By | Description of Revision |
|----------|---------------|----------|---------------------------------------|
| 0 | 8-3-07 | LDS | BWS240 Jamb Detail - panel horizontal |



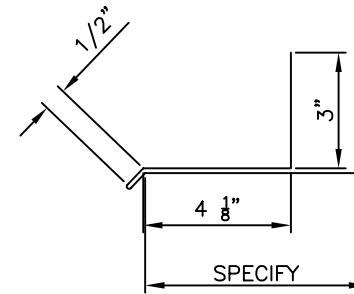
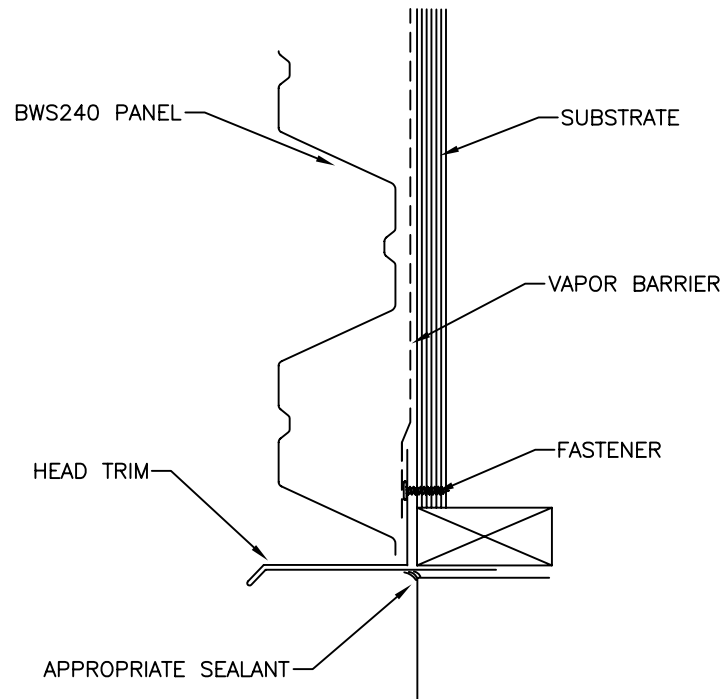
JAMB TRIM



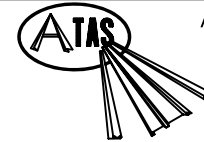
ATAS INTERNATIONAL, INC.
 Allentown PA
 610-395-8445
 Mesa AZ
 480-558-7210

| | | | | | | | |
|--------------------|------|-------------------------------------|----------|----------|------|------------|----------|
| TITLE | | BWS240 Jamb Detail - panel vertical | | | | | |
| DWG NO. / FILE NO. | | BWS Jamb vertical | | | | SCALE | 3"=1'-0" |
| DRAWN BY | LDS | DATE | 8-3-07 | APPR. BY | DAS | DATE | 8-3-07 |
| REVISION NO. | XXXX | REVISION DATE | MM/DD/YY | APPR. BY | XXXX | APPR. DATE | MM/DD/YY |

| Rev. No. | Revision Date | Drawn By | Description of Revision |
|----------|---------------|----------|-------------------------------------|
| 0 | 8-3-07 | LDS | BWS240 Jamb Detail - panel vertical |



HEAD TRIM



ATAS INTERNATIONAL, INC.
 Allentown PA
 610-395-8445
 Mesa AZ
 480-558-7210

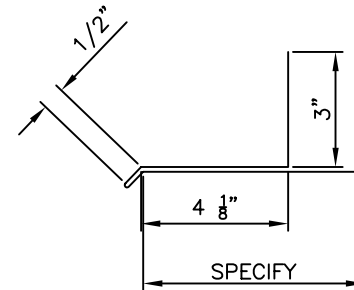
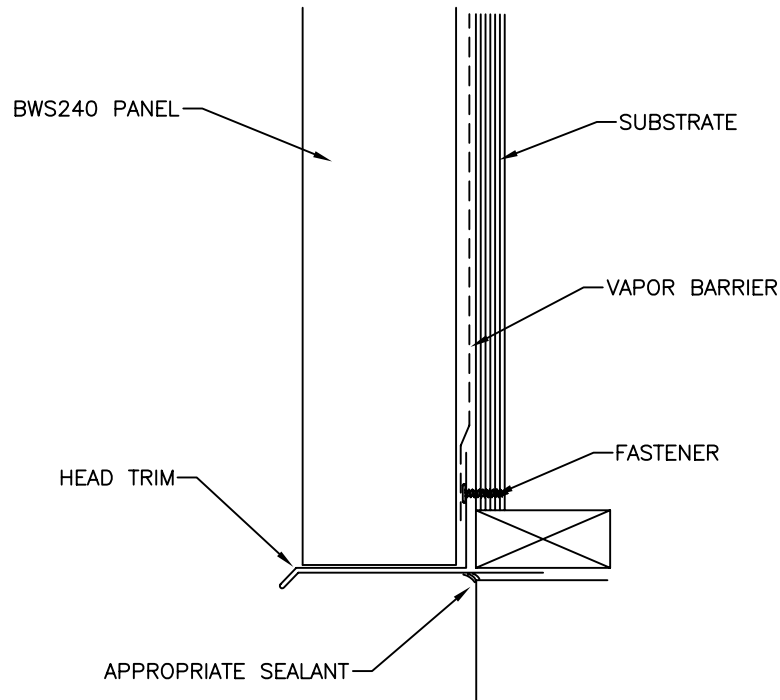
TITLE BWS240 Head Deatil - panel horizontal

DWG NO. / FILE NO. BWS240 Head Horizontal SCALE 3"=1'-0"

DRAWN BY LDS DATE 8-3-07 APPR. BY DAS DATE 8-3-07

REVISION NO. XXXX REVISION DATE MM/DD/YY APPR. BY XXXX APPR. DATE MM/DD/YY

| Rev. No. | Revision Date | Drawn By | Description of Revision |
|----------|---------------|----------|---------------------------------------|
| 0 | 8-3-07 | LDS | BWS240 Head Deatil - panel horizontal |



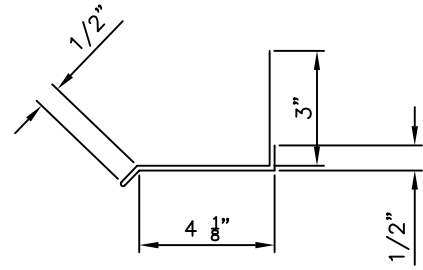
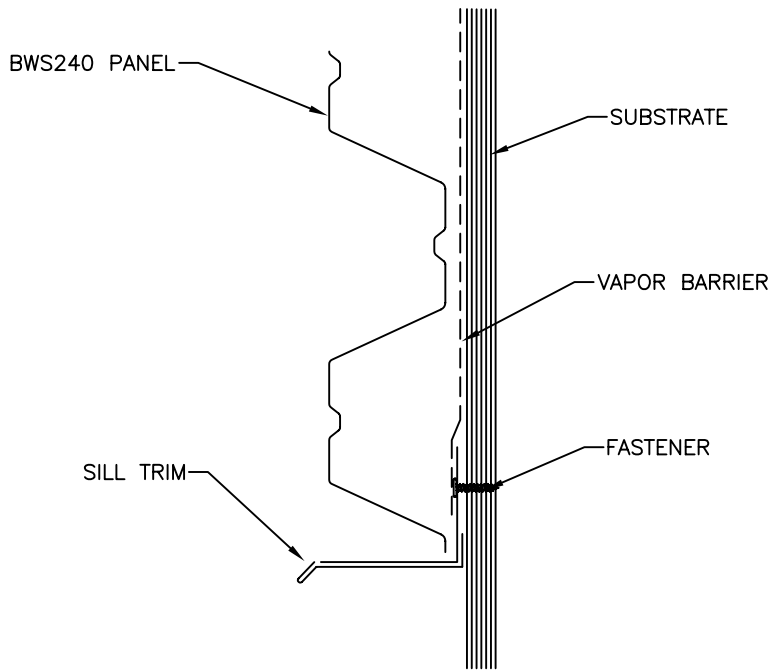
HEAD TRIM



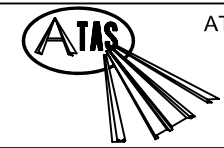
ATAS INTERNATIONAL, INC.
 Allentown PA
 610-395-8445
 Mesa AZ
 480-558-7210

| | | | | | | | |
|--------------------|------|--------------------------------------|----------|----------|------|------------|----------|
| TITLE | | BWS 240 Head Detail - panel vertical | | | | | |
| DWG NO. / FILE NO. | | BWS Head Vertical | | | | SCALE | 3"=1'-0" |
| DRAWN BY | LDS | DATE | 8-3-07 | APPR. BY | DAS | DATE | 8-3-07 |
| REVISION NO. | XXXX | REVISION DATE | MM/DD/YY | APPR. BY | XXXX | APPR. DATE | MM/DD/YY |

| Rev. No. | Revision Date | Drawn By | Description of Revision |
|----------|---------------|----------|-------------------------------------|
| 0 | 8-3-07 | LDS | BWS240 Head Detail - panel vertical |



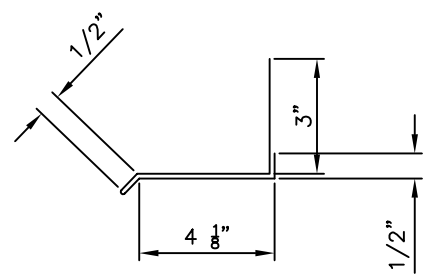
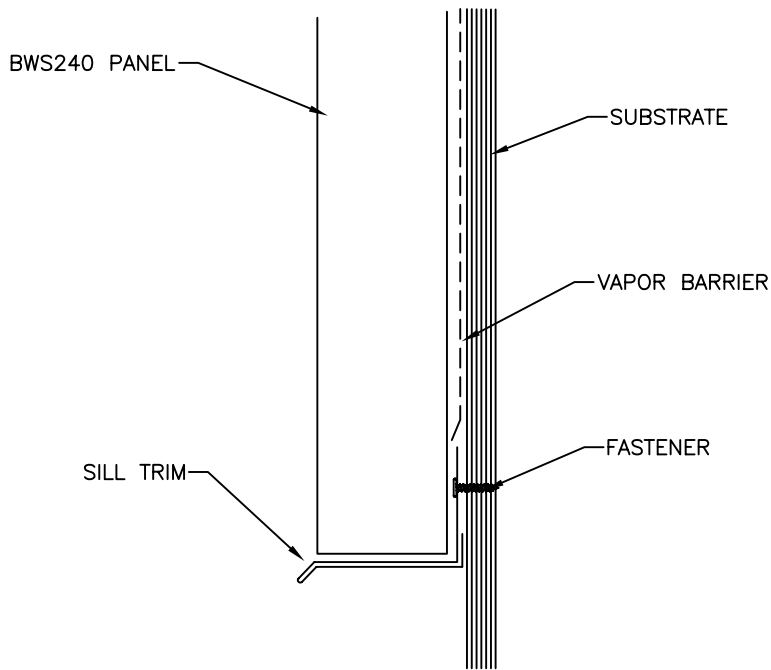
SILL TRIM



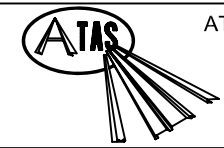
ATAS INTERNATIONAL, INC.
 Allentown PA
 610-395-8445
 Mesa AZ
 480-558-7210

| | | | | | | | |
|--------------------|------|---------------------------------------|----------|----------|------|------------|----------|
| TITLE | | BWS240 Sill Deatil - panel horizontal | | | | | |
| DWG NO. / FILE NO. | | BWS240 Sill Horizontal | | | | SCALE | 3"=1'-0" |
| DRAWN BY | LDS | DATE | 8-3-07 | APPR. BY | DAS | DATE | 8-3-07 |
| REVISION NO. | XXXX | REVISION DATE | MM/DD/YY | APPR. BY | XXXX | APPR. DATE | MM/DD/YY |

| Rev. No. | Revision Date | Drawn By | Description of Revision |
|----------|---------------|----------|---------------------------------------|
| 0 | 8-3-07 | LDS | BWS240 Sill Deatil - panel horizontal |



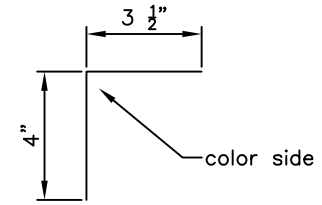
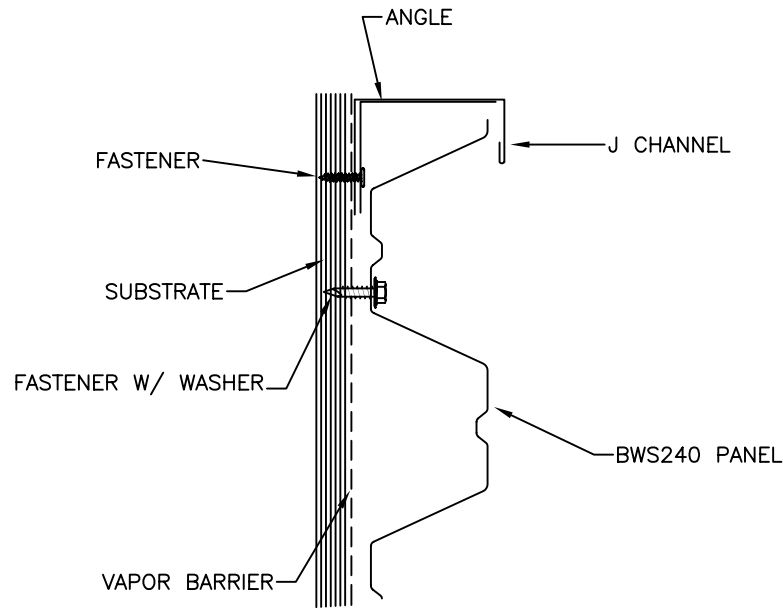
SILL TRIM



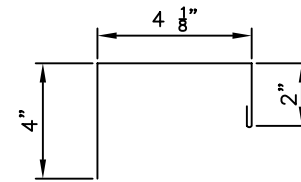
ATAS INTERNATIONAL, INC.
 Allentown PA
 610-395-8445
 Mesa AZ
 480-558-7210

| | | | | | | | |
|---------------------------------------------------------|--------------------------------------|-----------------------------|-----------------------------------|--|--|------------------------------|--|
| <p>TITLE BWS240 Sill Deatil - panel vertical</p> | | | | | | | |
| <p>DWG NO. / FILE NO. BWS240 Sill Vertical</p> | | | | | | <p>SCALE 3"=1'-0"</p> | |
| <p>DRAWN BY LDS</p> | <p>DATE 8-3-07</p> | <p>APPR. BY DAS</p> | <p>DATE 8-3-07</p> | | | | |
| <p>REVISION NO. XXXX</p> | <p>REVISION DATE MM/DD/YY</p> | <p>APPR. BY XXXX</p> | <p>APPR. DATE MM/DD/YY</p> | | | | |

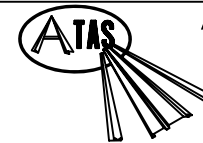
| Rev. No. | Revision Date | Drawn By | Description of Revision |
|----------|---------------|----------|-------------------------------------|
| 0 | 8-3-07 | LDS | BWS240 Sill Deatil - panel vertical |



ANGLE



J CHANNEL



ATAS INTERNATIONAL, INC.
 Allentown PA
 610-395-8445
 Mesa AZ
 480-558-7210

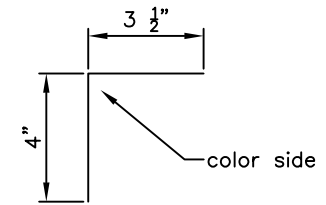
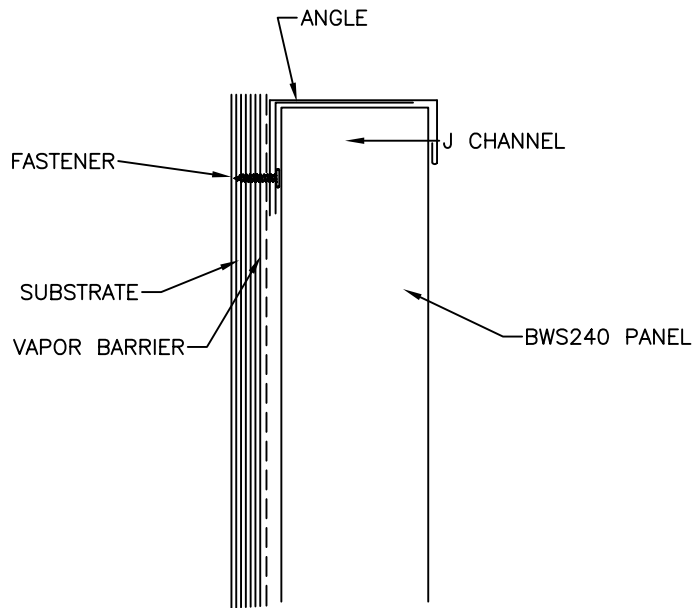
TITLE BWS240 Top Detail - panel horizontal

DWG NO. / FILE NO. BWS Top Horizontal SCALE 3"=1'-0"

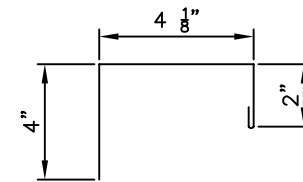
DRAWN BY LDS DATE 8-3-07 APPR. BY DAS DATE 8-3-07

REVISION NO. XXXX REVISION DATE MM/DD/YY APPR. BY XXXX APPR. DATE MM/DD/YY

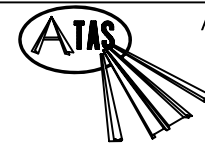
| Rev. No. | Revision Date | Drawn By | Description of Revision |
|----------|---------------|----------|--------------------------------------|
| 0 | 8-3-07 | LDS | BWS240 Top Detail - panel horizontal |



ANGLE



J CHANNEL



ATAS INTERNATIONAL, INC.

Allentown PA
610-395-8445
Mesa AZ
480-558-7210

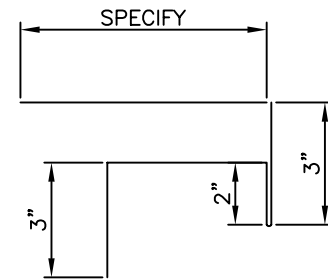
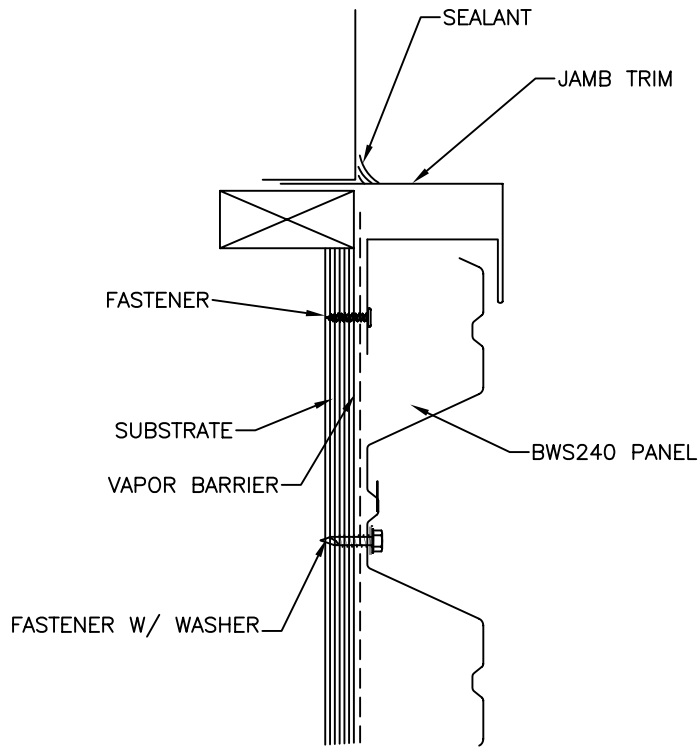
| | | | | | |
|-------|--|------------------------------------|--|--|--|
| TITLE | | BWS240 Top Detail - panel vertical | | | |
|-------|--|------------------------------------|--|--|--|

| | | | | | | |
|--------------------|--|------------------|--|--|-------|----------|
| DWG NO. / FILE NO. | | BWS Top Vertical | | | SCALE | 3"=1'-0" |
|--------------------|--|------------------|--|--|-------|----------|

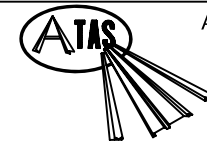
| | | | | | | | |
|----------|-----|------|--------|----------|-----|------|--------|
| DRAWN BY | LDS | DATE | 8-3-07 | APPR. BY | DAS | DATE | 8-3-07 |
|----------|-----|------|--------|----------|-----|------|--------|

| | | | | | | | |
|--------------|------|---------------|----------|----------|------|------------|----------|
| REVISION NO. | XXXX | REVISION DATE | MM/DD/YY | APPR. BY | XXXX | APPR. DATE | MM/DD/YY |
|--------------|------|---------------|----------|----------|------|------------|----------|

| Rev. No. | Revision Date | Drawn By | Description of Revision |
|----------|---------------|----------|------------------------------------|
| 0 | 8-3-07 | LDS | BWS240 Top Detail - panel vertical |



JAMB TRIM

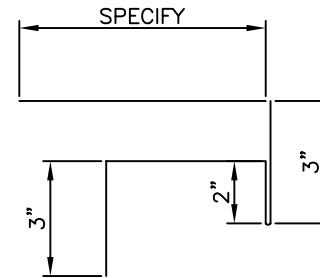
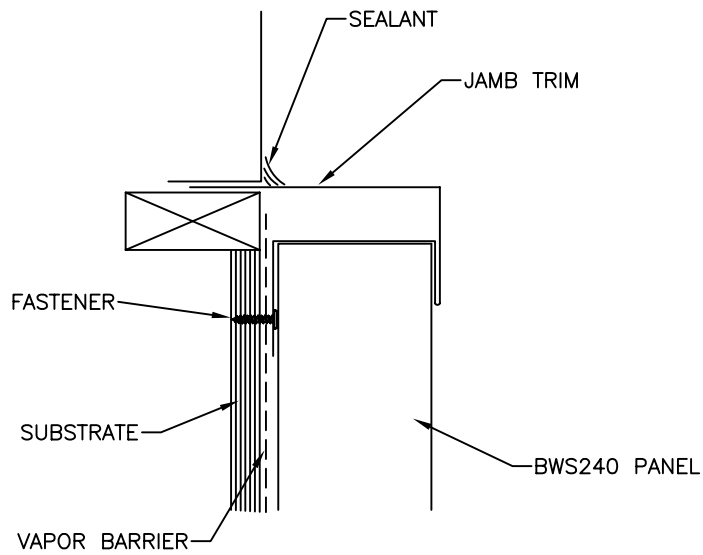


ATAS INTERNATIONAL, INC.

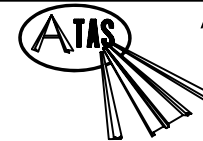
Allentown PA
610-395-8445
Mesa AZ
480-558-7210

| | | | | | | | |
|--------------------|------|----------------------------------------------|----------|----------|------|------------|----------|
| TITLE | | BWS240 Window Sill Detail - panel horizontal | | | | | |
| DWG NO. / FILE NO. | | BWS Window Sill Horizontal | | | | SCALE | 3"=1'-0" |
| DRAWN BY | LDS | DATE | 8-3-07 | APPR. BY | DAS | DATE | 8-3-07 |
| REVISION NO. | XXXX | REVISION DATE | MM/DD/YY | APPR. BY | XXXX | APPR. DATE | MM/DD/YY |

| Rev. No. | Revision Date | Drawn By | Description of Revision |
|----------|---------------|----------|----------------------------------------------|
| 0 | 8-3-07 | LDS | BWS240 Window Sill Detail - panel horizontal |



JAMB TRIM



ATAS INTERNATIONAL, INC.

Allentown PA
610-395-8445
Mesa AZ
480-558-7210

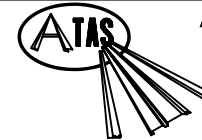
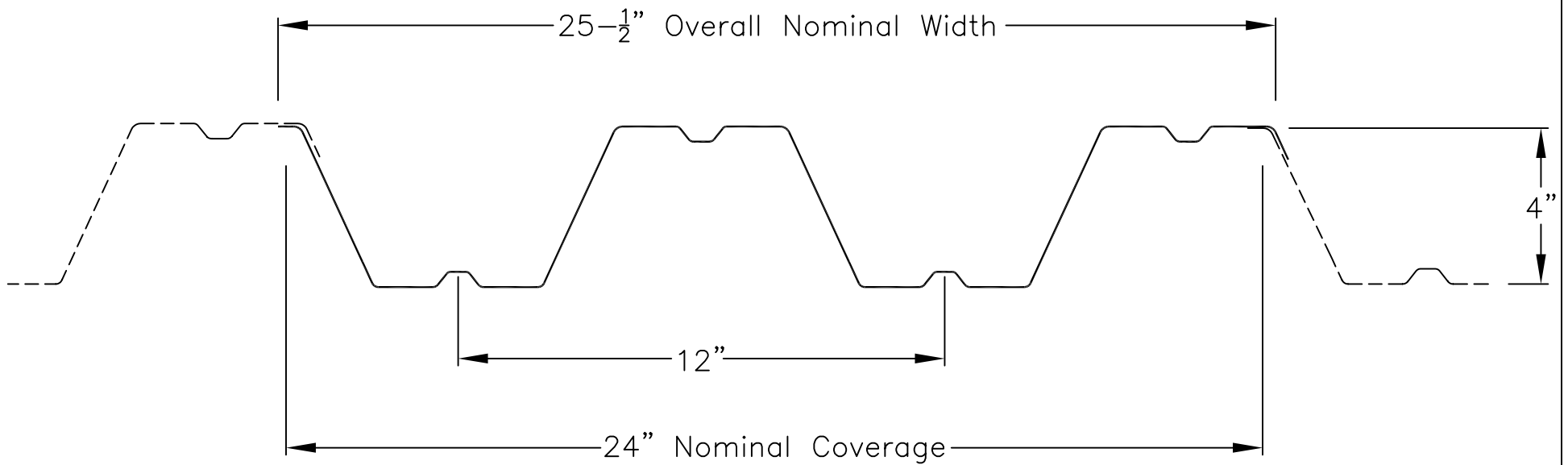
TITLE BWS240 Window Sill Detail - panel Vertical

DWG NO. / FILE NO. BWS Window Sill Vertical SCALE 3"=1'-0"

DRAWN BY LDS DATE 8-3-07 APPR. BY DAS DATE 8-3-07

REVISION NO. XXXX REVISION DATE MM/DD/YY APPR. BY XXXX APPR. DATE MM/DD/YY

| Rev. No. | Revision Date | Drawn By | Description of Revision |
|----------|---------------|----------|--------------------------------------------|
| 0 | 8-3-07 | LDS | BWS240 Window Sill Detail - panel Vertical |



ATAS INTERNATIONAL, INC.

Allentown PA
610-395-8445
Mesa AZ
480-558-7210

| | | | | | | | |
|--------------------|------|---------------|----------|----------|------|------------|----------|
| TITLE | | BWS Profile | | | | | |
| DWG NO. / FILE NO. | | BWS Profile | | | | SCALE | 3"=1'-0" |
| DRAWN BY | DAS | DATE | 8-3-07 | APPR. BY | JEB | DATE | 8-3-07 |
| REVISION NO. | XXXX | REVISION DATE | MM/DD/YY | APPR. BY | XXXX | APPR. DATE | MM/DD/YY |

| Rev. No. | Revision Date | Drawn By | Description of Revision |
|----------|---------------|----------|-------------------------|
| 0 | 8-3-07 | DAS | BWS Profile |