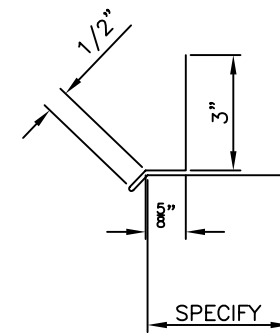
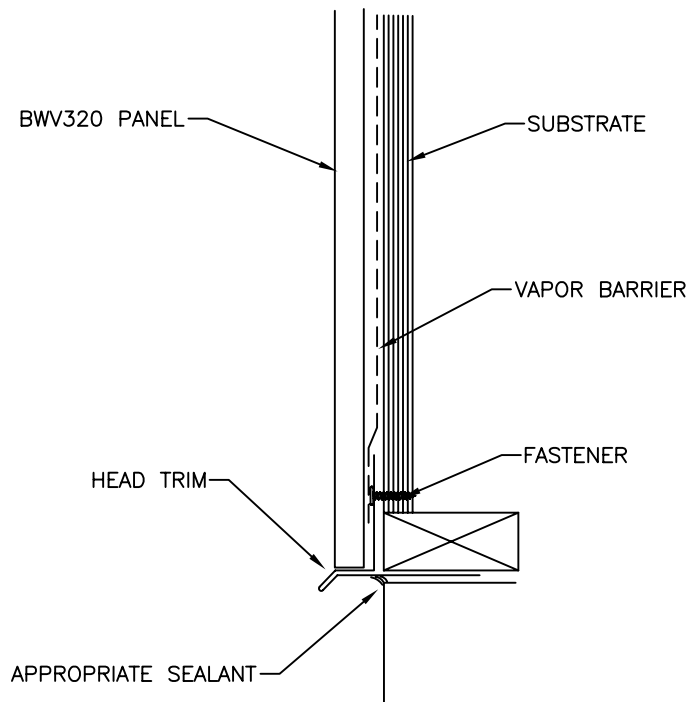


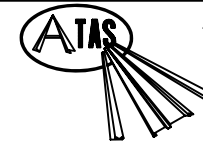
ATAS INTERNATIONAL, INC.
 Allentown PA
 610-395-8445
 Mesa AZ
 480-558-7210

TITLE		Grand V Fastener Layout					
DWG NO. / FILE NO.		Grand V Fastener Layout				SCALE	3"=1'-0"
DRAWN BY	DAS	DATE	4-12-07	APPR. BY	JEB	DATE	4-12-07
REVISION NO.	XXXX	REVISION DATE	MM/DD/YY	APPR. BY	XXXX	APPR. DATE	MM/DD/YY

Rev. No.	Revision Date	Drawn By	Description of Revision
0	4-12-07	DAS	Grand V Fastener Layout



HEAD TRIM



ATAS INTERNATIONAL, INC.
 Allentown PA
 610-395-8445
 Mesa AZ
 480-558-7210

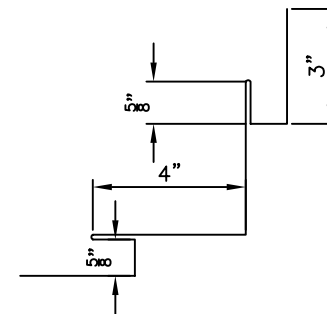
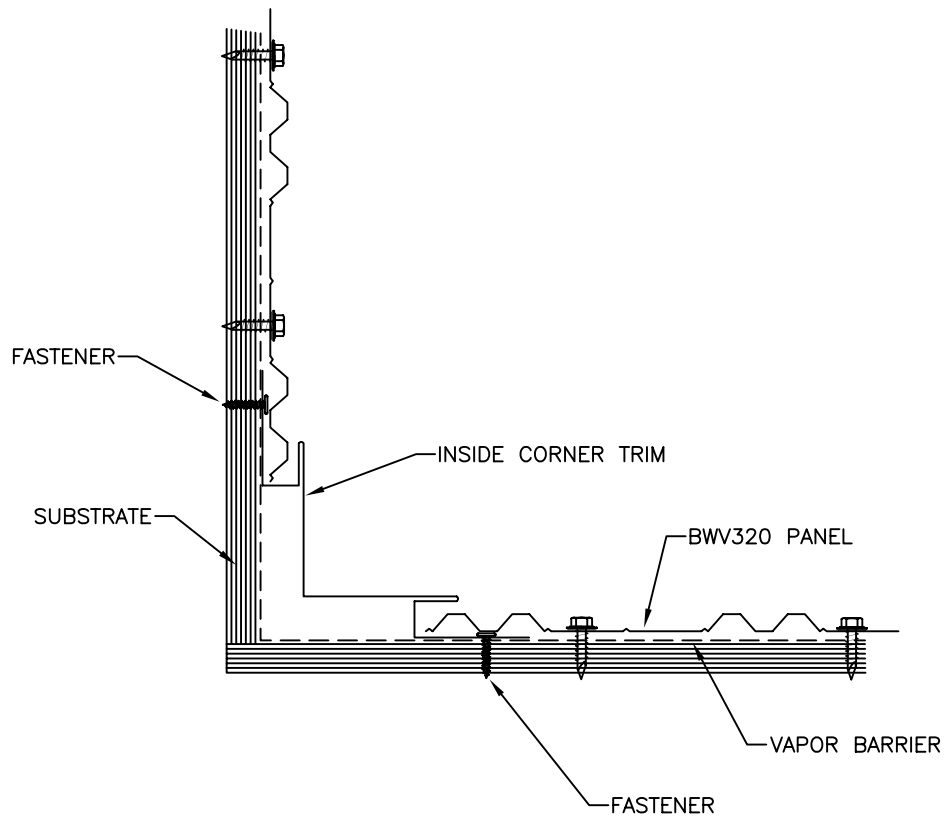
TITLE BWV320 Head Detail - panel vertical

DWG NO. / FILE NO. BWV Head Vertical SCALE 3"=1'-0"

DRAWN BY LDS DATE 8-3-07 APPR. BY DAS DATE 8-3-07

REVISION NO. XXXX REVISION DATE MM/DD/YY APPR. BY XXXX APPR. DATE MM/DD/YY

Rev. No.	Revision Date	Drawn By	Description of Revision
0	8-3-07	LDS	BWV320 Head Detail - panel vertical



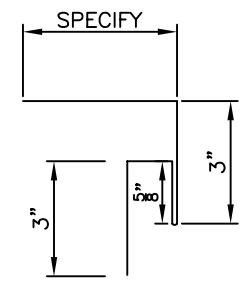
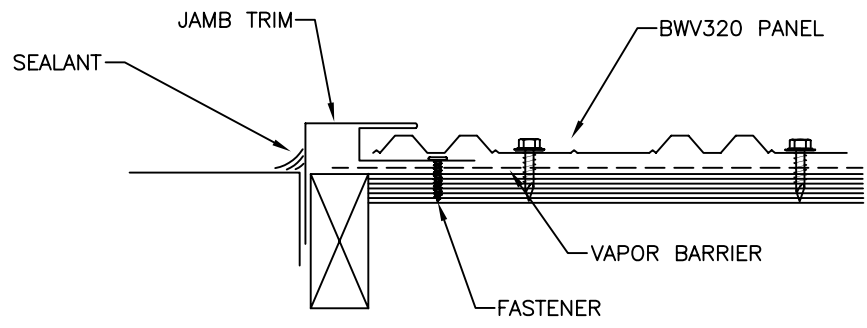
INSIDE CORNER TRIM



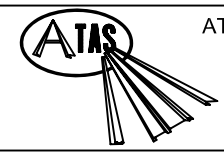
ATAS INTERNATIONAL, INC.
 Allentown PA
 610-395-8445
 Mesa AZ
 480-558-7210

TITLE		BWV320 Inside Corner - panel vertical					
DWG NO. / FILE NO.		BWV Inside Corner Vertical				SCALE	3"=1'-0"
DRAWN BY	LDS	DATE	8-3-07	APPR. BY	DAS	DATE	8-3-07
REVISION NO.	XXXX	REVISION DATE	MM/DD/YY	APPR. BY	XXXX	APPR. DATE	MM/DD/YY

Rev. No.	Revision Date	Drawn By	Description of Revision
0	8-25-07	LDS	BWV320 Inside Corner - panel vertical



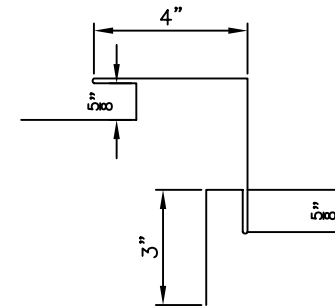
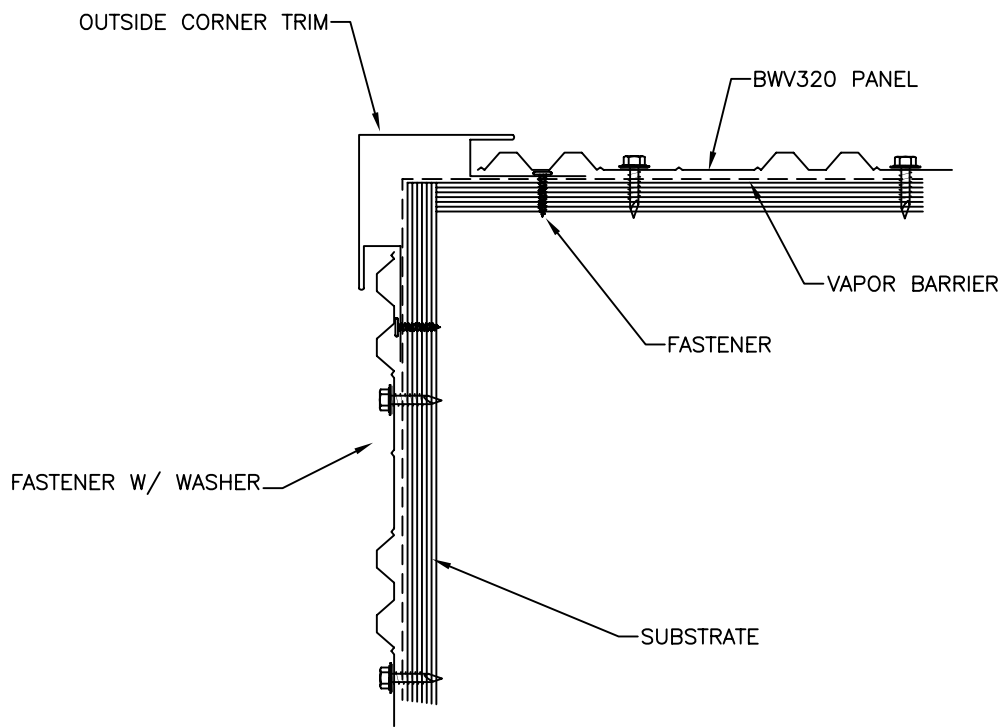
JAMB TRIM



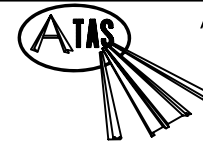
ATAS INTERNATIONAL, INC.
 Allentown PA
 610-395-8445
 Mesa AZ
 480-558-7210

TITLE		BWV320 Jamb Detail - panel vertical					
DWG NO. / FILE NO.		BWV Jamb vertical				SCALE	3"=1'-0"
DRAWN BY	LDS	DATE	8-3-07	APPR. BY	DAS	DATE	8-3-07
REVISION NO.	XXXX	REVISION DATE	MM/DD/YY	APPR. BY	XXXX	APPR. DATE	MM/DD/YY

Rev. No.	Revision Date	Drawn By	Description of Revision
0	8-3-07	LDS	BWV320 Jamb Detail - panel vertical



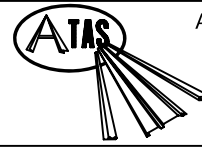
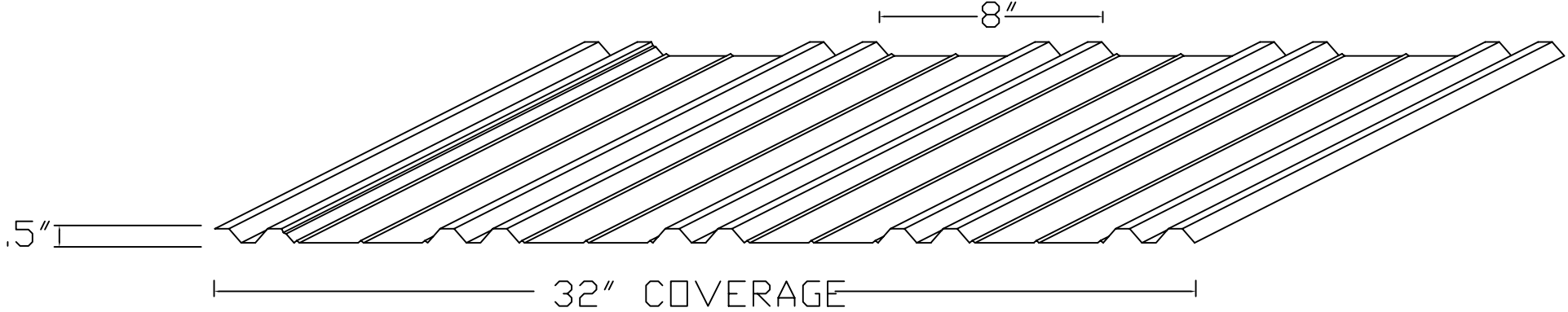
OUTSIDE CORNER TRIM



ATAS INTERNATIONAL, INC.
 Allentown PA
 610-395-8445
 Mesa AZ
 480-558-7210

TITLE								BWV320 Outside Corner - panel vertical			
DWG NO. / FILE NO.		BWV Outside Corner Vertical						SCALE		3"=1'-0"	
DRAWN BY	LDS	DATE	8-3-07	APPR. BY	DAS	DATE	8-3-07				
REVISION NO.	XXXX	REVISION DATE	MM/DD/YY	APPR. BY	XXXX	APPR. DATE	MM/DD/YY				

Rev. No.	Revision Date	Drawn By	Description of Revision
0	8-3-07	LDS	BWV320 Outside Corner - panel vertical

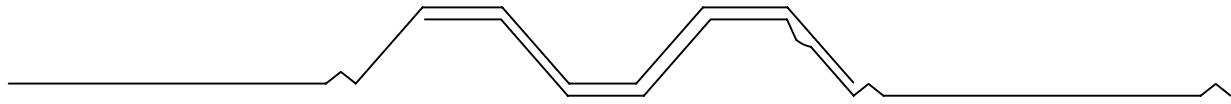


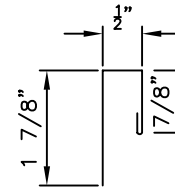
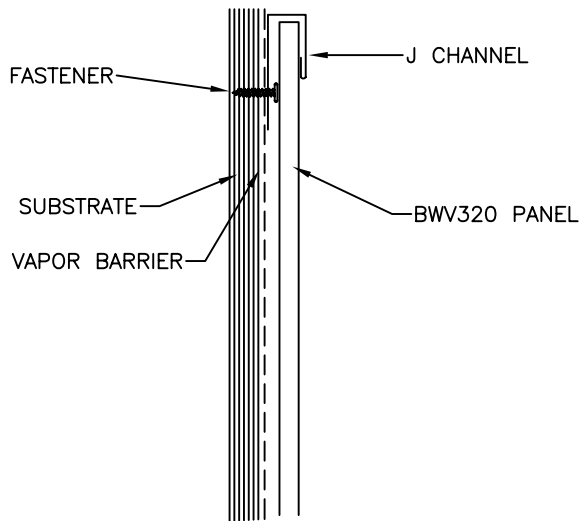
ATAS INTERNATIONAL, INC.
 Allentown PA
 610-395-8445
 Mesa AZ
 480-558-7210

TITLE **BWV320 profile**

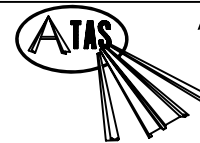
DWG NO. / FILE NO. **BWV320 profile** SCALE **3"=1'-0"**

Rev. No.	Revision Date	Drawn By	Description of Revision	DRAWN BY	LDS	DATE	8-3-07	APPR. BY	DAS	DATE	8-3-07
0	8-3-07	LDS	BWV320 profile	REVISION NO.	XXXX	REVISION DATE	MM/DD/YY	APPR. BY	XXXX	APPR. DATE	MM/DD/YY





J CHANNEL (MPA012)



ATAS INTERNATIONAL, INC.

Allentown PA
610-395-8445
Mesa AZ
480-558-7210

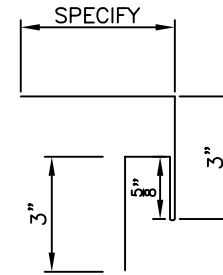
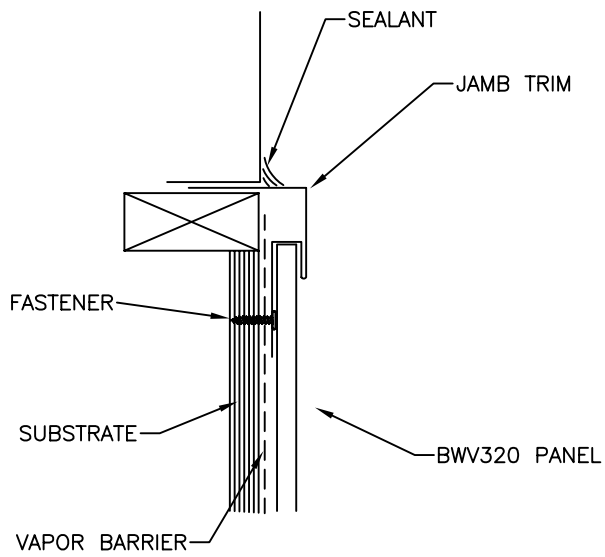
TITLE **BWV320 Top Detail - panel vertical**

DWG NO. / FILE NO. **BWV Top Vertical** SCALE **3"=1'-0"**

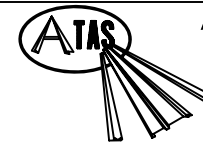
DRAWN BY **LDS** DATE **8-3-07** APPR. BY **DAS** DATE **8-3-07**

REVISION NO. **XXXX** REVISION DATE **MM/DD/YY** APPR. BY **XXXX** APPR. DATE **MM/DD/YY**

Rev. No.	Revision Date	Drawn By	Description of Revision
0	8-3-07	LDS	BWV320 Top Detail - panel vertical



JAMB TRIM



ATAS INTERNATIONAL, INC.

Allentown PA
610-395-8445
Mesa AZ
480-558-7210

TITLE		BWV320 Window Sill Detail - panel Vertical					
DWG NO. / FILE NO.		BWV Window Sill Vertical				SCALE	3"=1'-0"
DRAWN BY	LDS	DATE	8-3-07	APPR. BY	DAS	DATE	8-3-07
REVISION NO.	XXXX	REVISION DATE	MM/DD/YY	APPR. BY	XXXX	APPR. DATE	MM/DD/YY

Rev. No.	Revision Date	Drawn By	Description of Revision
0	8-3-07	LDS	BWV320 Window Sill Detail - panel Vertical