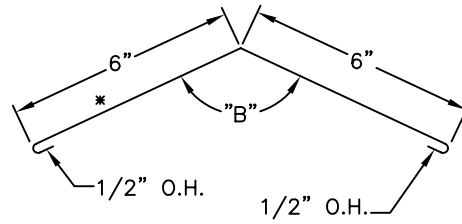
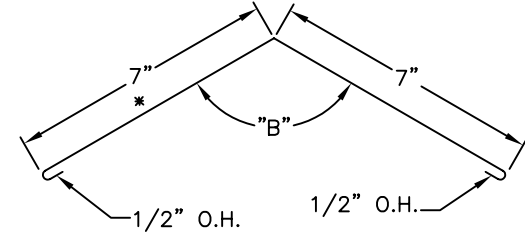


'Z' CLOSURE



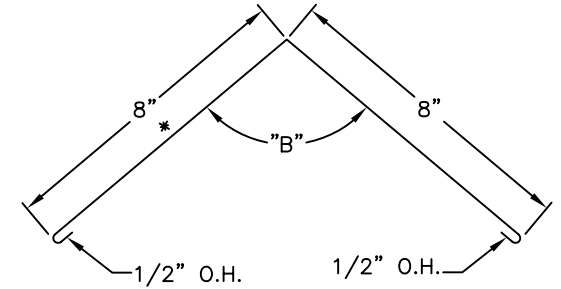
RIDGE CAP

Roof slopes 3/12 to 6/12  
Ridge splice to match ridge cap 6' long each: MDA311



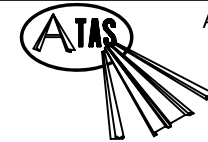
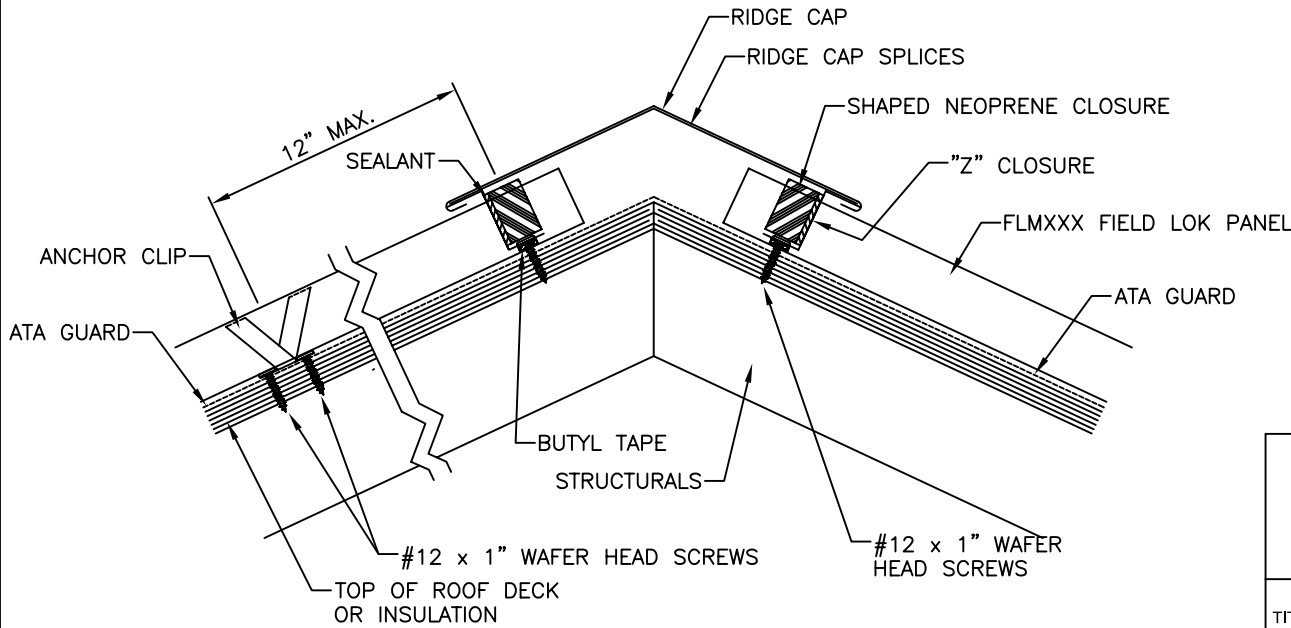
RIDGE CAP

Roof slopes 6/12 to 9/12  
Ridge splice to match ridge cap 6' long each: MDA312



RIDGE CAP

Roof slopes 9/12 to 12/12  
Ridge splice to match ridge cap 6' long each: MDA313



ATAS INTERNATIONAL, INC.  
Allentown PA  
610-395-8445  
Mesa AZ  
480-558-7210

TITLE		FLM Ridge - Ply					
DWG NO. / FILE NO.		FLM Ridge - Ply				SCALE	3"=1'-0"
DRAWN BY	DAS	DATE	3-6-06	APPR. BY	JEB	DATE	5-31-06
REVISION NO.	XXXX	REVISION DATE	MM/DD/YY	APPR. BY	XXXX	APPR. DATE	MM/DD/YY

Rev. No.	Revision Date	Drawn By	Description of Revision
0	5-31-06	DAS	FLM Ridge - Ply