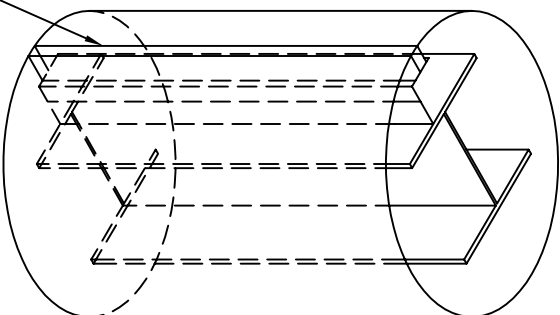


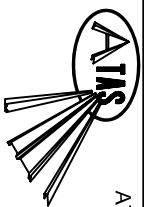
TYPICAL HORIZONTAL HAIRLINE JOINT IF NECESSARY (OVER 12'-0" IN LENGTH)(SEE DETAIL #4).

COLUMN COVERS

STANDARD 14" OR 24" DIAMETER FROM .040 ALUMINUM HAVING A KYNAR 500/HYLAR 5000 FINISH IN ANY OF THE TWENTY-NINE (29) ATAS COLORS. THESE COLUMN COVER ASSEMBLIES ARE FINISHED IN CUSTOM LENGTHS. COLUMNS OVER 12'-0" IN HEIGHT REQUIRE STACKED UNITS WITH HORIZONTAL HAIRLINE JOINTS (SEE DETAIL #4).



TWO (2) STYLES OF VERTICAL REVEAL TYPE JOINTURE (SEE DETAILS #2 & #3)



ATAS INTERNATIONAL, INC.
Allentown PA
610-395-8445
Mesa AZ
480-558-7210

Rev. No.	Revision Date	Drawn By	Description of Revision			
0	5-30-06	DAS	Column Cover			

TITLE		Column Cover		SCALE		3"=1'-0"	
DWG NO. / FILE NO.	Column Cover						
DRAWN BY	DATE	3-6-06	APPR. BY	JEB	DATE	5-30-06	
REVISION NO.	REVISION DATE	XXXX	APPR. BY	XXXX	DATE		