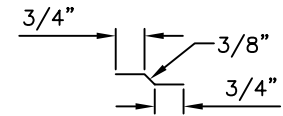
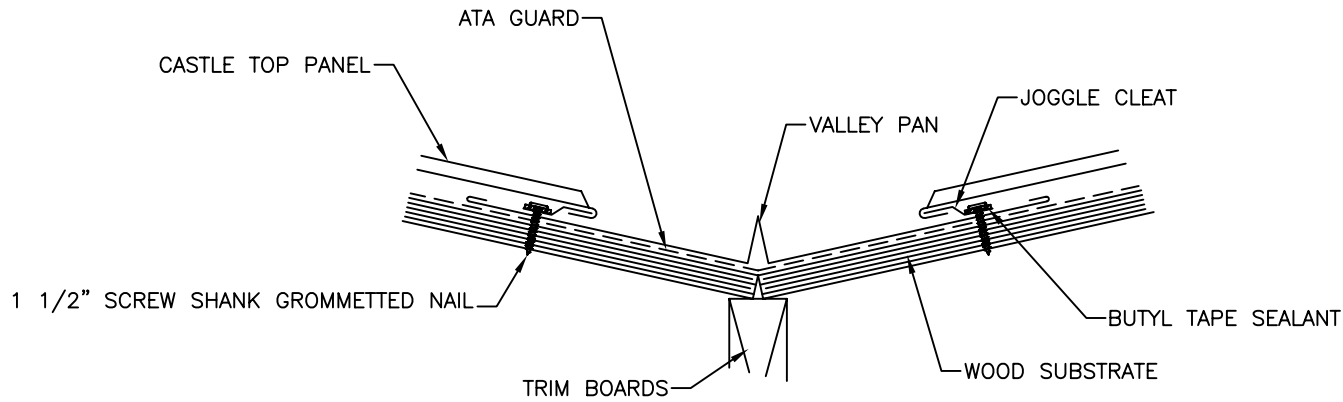
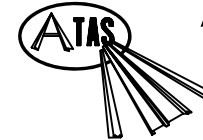


HCA8300 VALLEY PAN



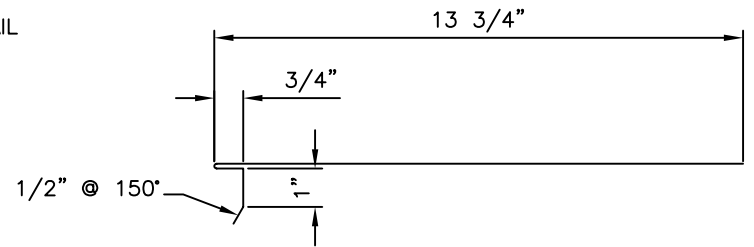
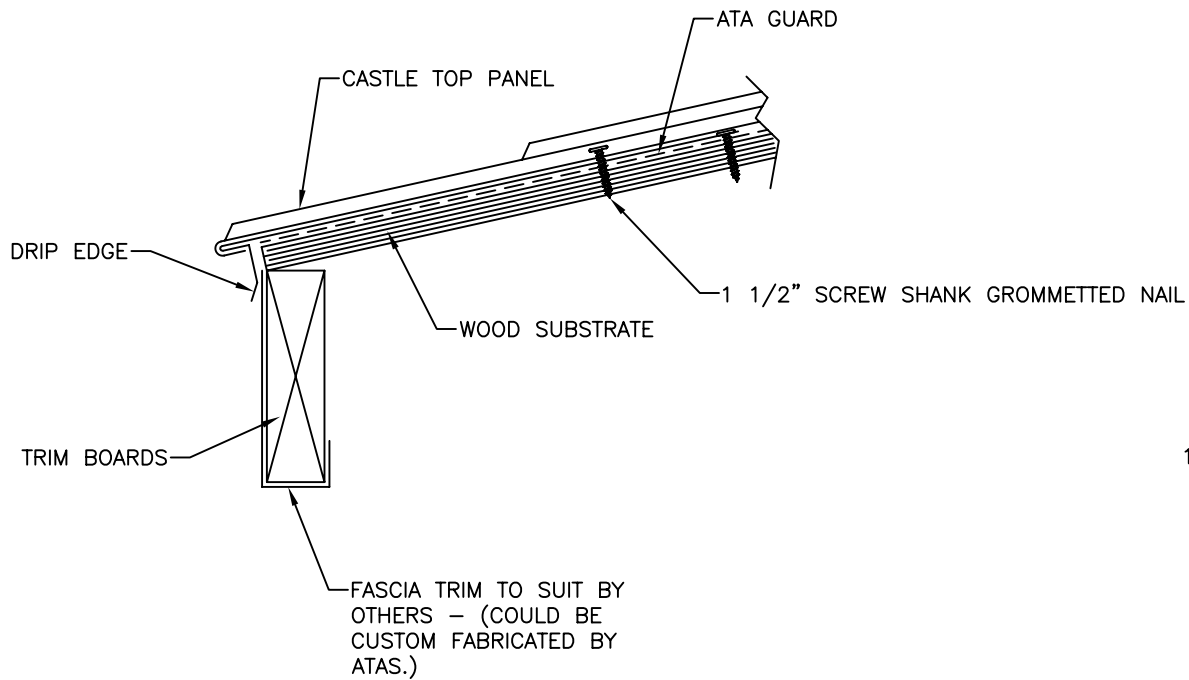
HCA975 JOGGLE CLEAT



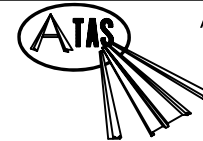
ATAS INTERNATIONAL, INC.
 Allentown PA
 610-395-8445
 Mesa AZ
 480-558-7210

TITLE		HCT valley					
DWG NO. / FILE NO.		HCT valley			SCALE	1"=1"	
DRAWN BY	DAS	DATE	3-6-06	APPR. BY	JEB	DATE	5-30-06
REVISION NO.	XXXX	REVISION DATE	MM/DD/YY	APPR. BY	XXXX	APPR. DATE	MM/DD/YY

Rev. No.	Revision Date	Drawn By	Description of Revision
0	5-30-06	DAS	HCT valley



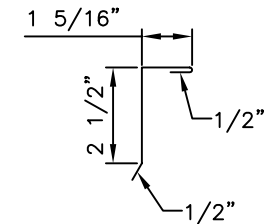
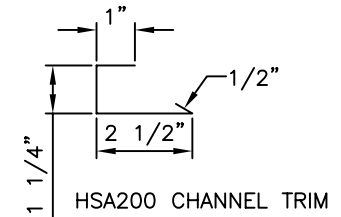
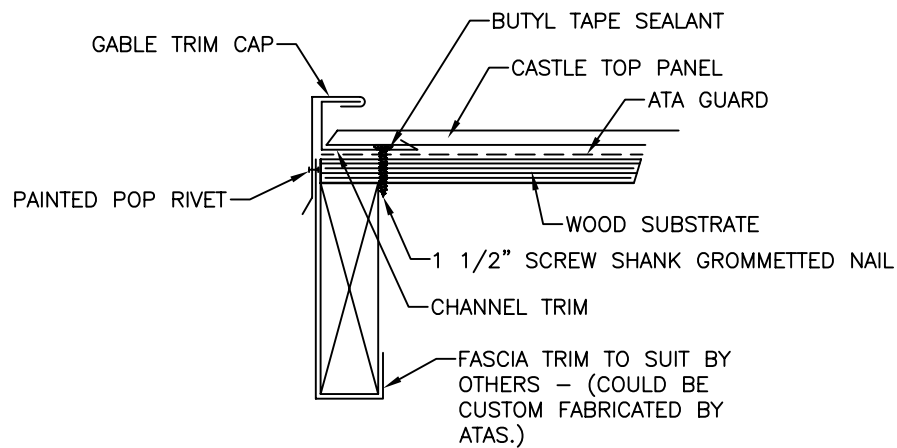
HCA112 DRIP EDGE



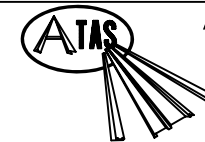
ATAS INTERNATIONAL, INC.
 Allentown PA
 610-395-8445
 Mesa AZ
 480-558-7210

TITLE		HCT eave					
DWG NO. / FILE NO.		HCT eave				SCALE	1"=1"
DRAWN BY	DAS	DATE	3-6-06	APPR. BY	JEB	DATE	5-30-06
REVISION NO.	XXXX	REVISION DATE	MM/DD/YY	APPR. BY	XXXX	APPR. DATE	MM/DD/YY

Rev. No.	Revision Date	Drawn By	Description of Revision
0	5-30-06	DAS	HCT eave



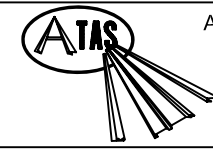
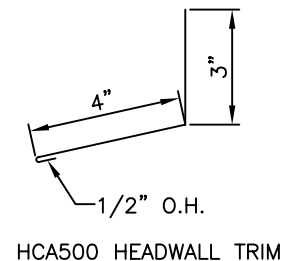
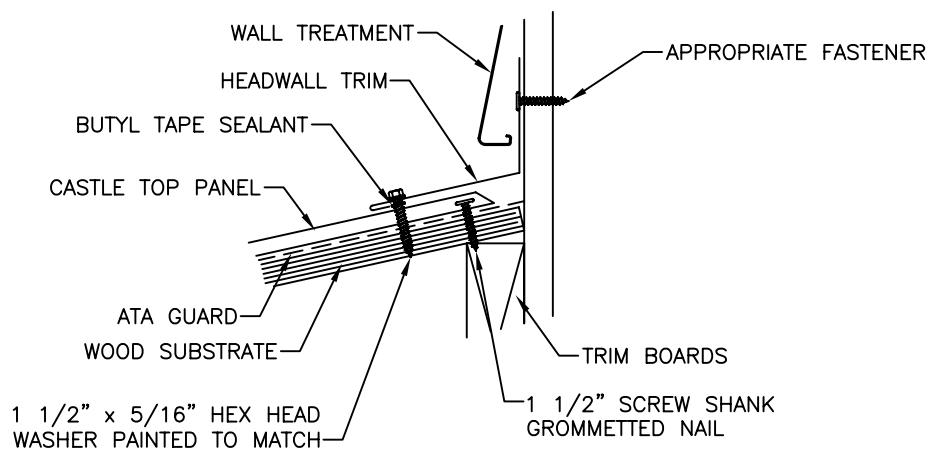
HSA201 GABLE TRIM CAP



ATAS INTERNATIONAL, INC.
 Allentown PA
 610-395-8445
 Mesa AZ
 480-558-7210

TITLE		HCT gable					
DWG NO. / FILE NO.		HCT gable			SCALE	1"=1"	
DRAWN BY	DAS	DATE	3-6-06	APPR. BY	JEB	DATE	5-30-06
REVISION NO.	XXXX	REVISION DATE	MM/DD/YY	APPR. BY	XXXX	APPR. DATE	MM/DD/YY

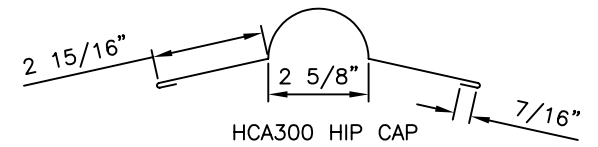
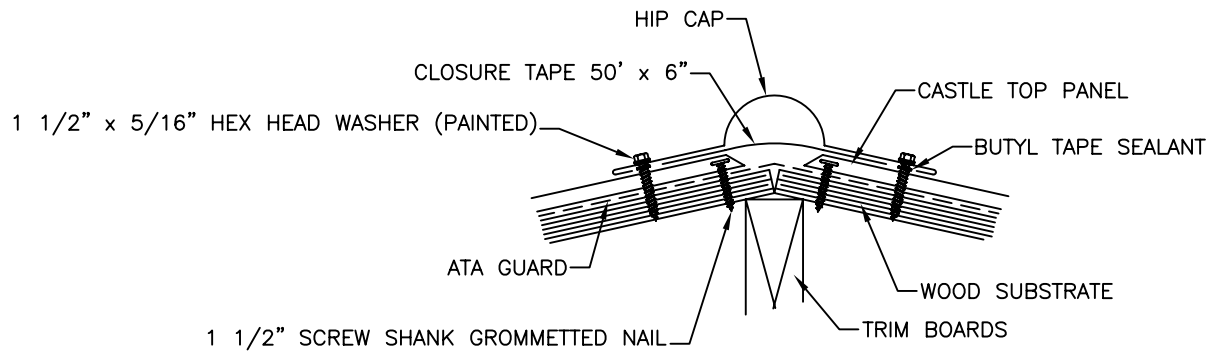
Rev. No.	Revision Date	Drawn By	Description of Revision
0	5-30-06	DAS	HCT gable



ATAS INTERNATIONAL, INC.
 Allentown PA
 610-395-8445
 Mesa AZ
 480-558-7210

TITLE		HCT headwall					
DWG NO. / FILE NO.		HCT headwall				SCALE	1"=1"
DRAWN BY	DAS	DATE	3-6-06	APPR. BY	JEB	DATE	5-30-06
REVISION NO.	XXXX	REVISION DATE	MM/DD/YY	APPR. BY	XXXX	APPR. DATE	MM/DD/YY

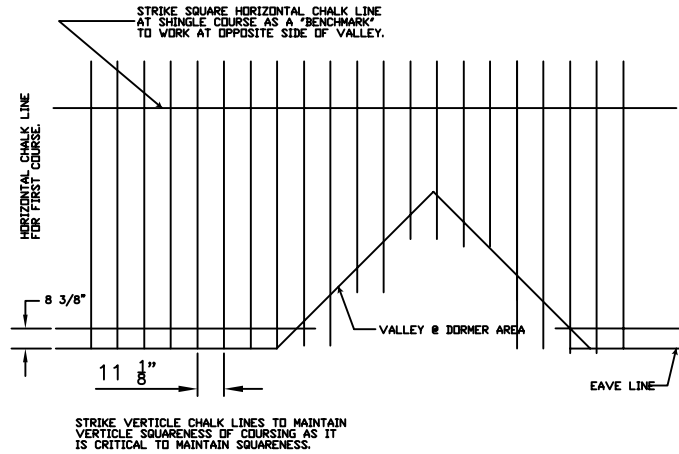
Rev. No.	Revision Date	Drawn By	Description of Revision
0	5-30-06	DAS	HCT headwall



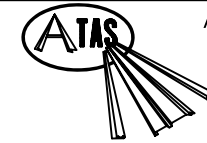
ATAS INTERNATIONAL, INC.
 Allentown PA
 610-395-8445
 Mesa AZ
 480-558-7210

TITLE		HCT hip					
DWG NO. / FILE NO.		HCT hip				SCALE	1"=1"
DRAWN BY	DAS	DATE	3-6-06	APPR. BY	JEB	DATE	5-30-06
REVISION NO.	XXXX	REVISION DATE	MM/DD/YY	APPR. BY	XXXX	APPR. DATE	MM/DD/YY

Rev. No.	Revision Date	Drawn By	Description of Revision
0	5-30-06	DAS	HCT hip



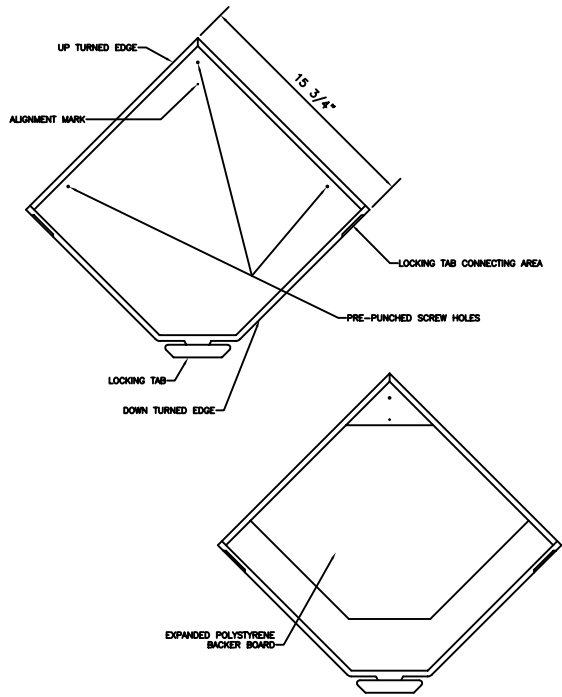
Castle Top Series
Castle Top Panel Layout



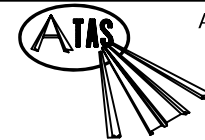
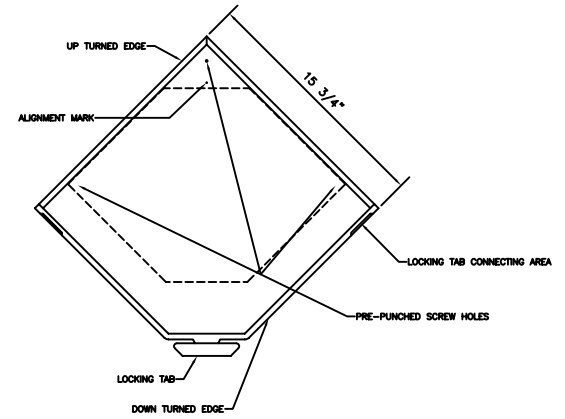
ATAS INTERNATIONAL, INC.
Allentown PA
610-395-8445
Mesa AZ
480-558-7210

TITLE		HCT installation					
DWG NO. / FILE NO.		HCT installation				SCALE	not to scale
DRAWN BY	DAS	DATE	3-6-06	APPR. BY	JEB	DATE	5-30-06
REVISION NO.	XXXX	REVISION DATE	MM/DD/YY	APPR. BY	XXXX	APPR. DATE	MM/DD/YY
REVISION NO.	1	REVISION DATE	6-16-06	APPR. BY	DAS	APPR. DATE	6-16-06

Rev. No.	Revision Date	Drawn By	Description of Revision
0	5-30-06	DAS	HCT installation
1	5-30-06	DAS	Changed line strike pattern to 11 1/8"



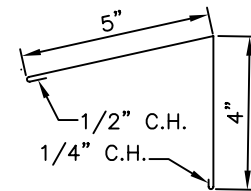
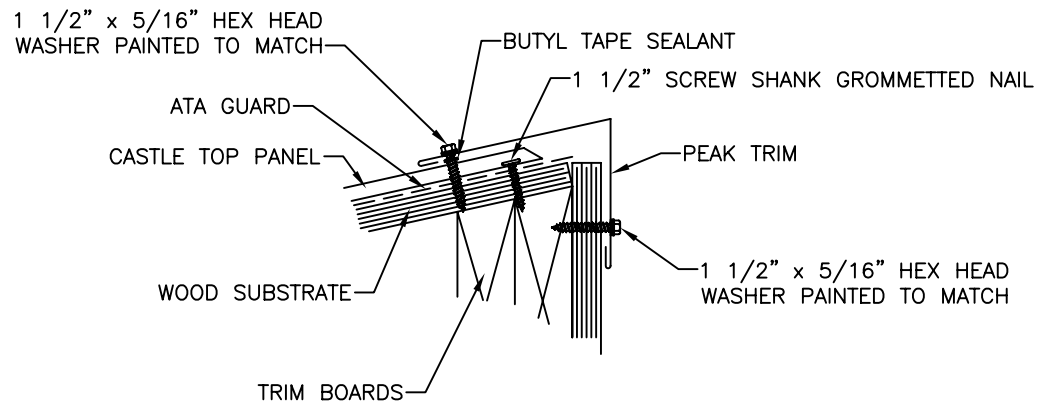
Castle Top Series
Castle Top Panel



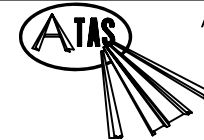
ATAS INTERNATIONAL, INC.
Allentown PA
610-395-8445
Mesa AZ
480-558-7210

TITLE								HCT profile			
DWG NO. / FILE NO.				HCT profile				SCALE 1"=1"			
DRAWN BY	DAS	DATE	3-6-06	APPR. BY	JEB	DATE	5-30-06				
REVISION NO.	XXXX	REVISION DATE	MM/DD/YY	APPR. BY	XXXX	APPR. DATE	MM/DD/YY				

Rev. No.	Revision Date	Drawn By	Description of Revision
0	5-30-06	DAS	HCT profile



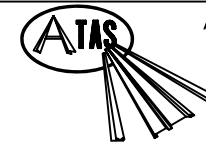
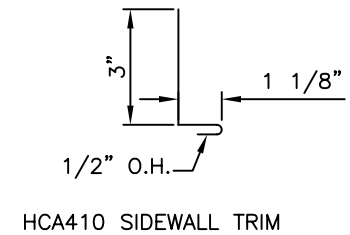
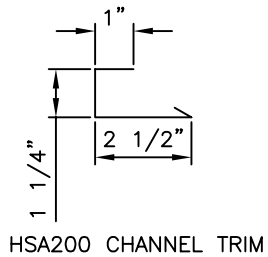
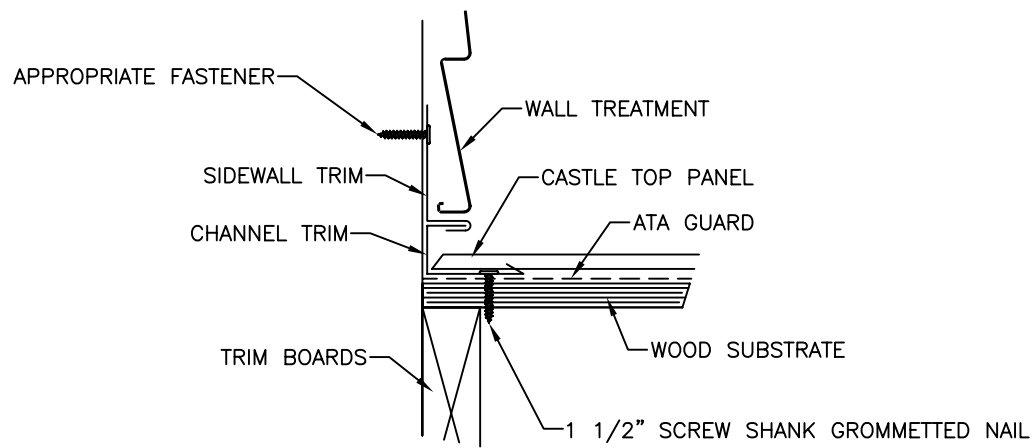
HCA340 PEAK TRIM



ATAS INTERNATIONAL, INC.
 Allentown PA
 610-395-8445
 Mesa AZ
 480-558-7210

TITLE		HCT shed ridge				SCALE	1"=1"
DWG NO. / FILE NO.		HCT shed ridge					
DRAWN BY	DAS	DATE	3-6-06	APPR. BY	JEB	DATE	5-30-06
REVISION NO.	XXXX	REVISION DATE	MM/DD/YY	APPR. BY	XXXX	APPR. DATE	MM/DD/YY

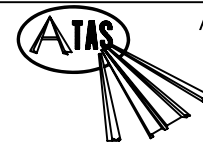
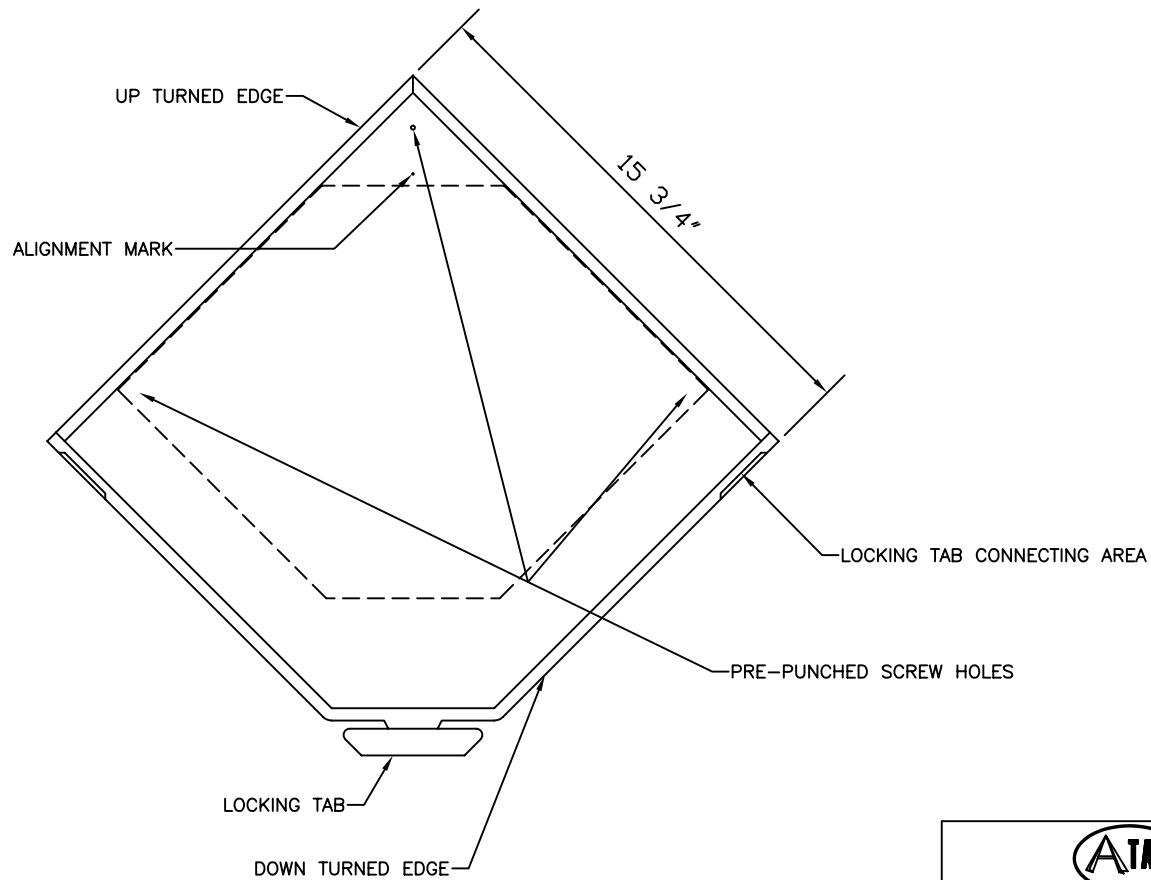
Rev. No.	Revision Date	Drawn By	Description of Revision
0	5-30-06	DAS	HCT shed ridge



ATAS INTERNATIONAL, INC.
 Allentown PA
 610-395-8445
 Mesa AZ
 480-558-7210

TITLE		HCT sidewall					
DWG NO. / FILE NO.		HCT sidewall				SCALE	1"=1"
DRAWN BY	DAS	DATE	3-6-06	APPR. BY	JEB	DATE	5-30-06
REVISION NO.	XXXX	REVISION DATE	MM/DD/YY	APPR. BY	XXXX	APPR. DATE	MM/DD/YY

Rev. No.	Revision Date	Drawn By	Description of Revision
0	5-30-06	DAS	HCT sidewall



ATAS INTERNATIONAL, INC.
 Allentown PA
 610-395-8445
 Mesa AZ
 480-558-7210

TITLE		Castle Top Profile					
DWG NO. / FILE NO.		Castle Top Profile				SCALE	3"=1'-0"
DRAWN BY	DAS	DATE	7-25-07	APPR. BY	JEB	DATE	7-25-07
REVISION NO.	XXXX	REVISION DATE	MM/DD/YY	APPR. BY	XXXX	APPR. DATE	MM/DD/YY

Rev. No.	Revision Date	Drawn By	Description of Revision
0	7-25-07	DAS	Castle Top Profile