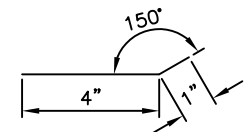


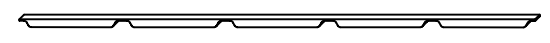
RIDGE CAP - SCA315T3??
4'-0" LONG
3'-7" COVERAGE



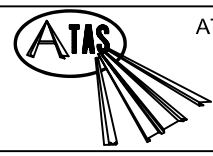
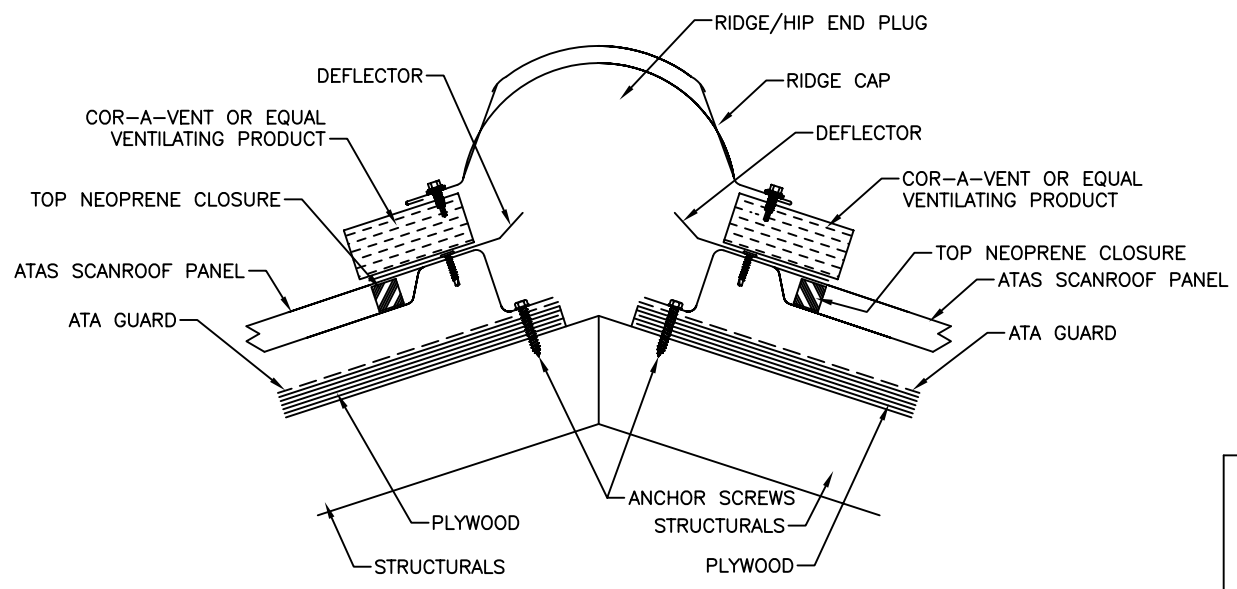
HIP/RIDGE END PLUG - SCA330T3??
- FITS OF CAP -



DEFLECTOR - SCA365T3??
12'-0" Long



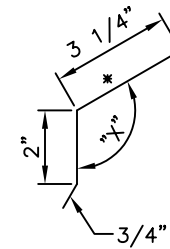
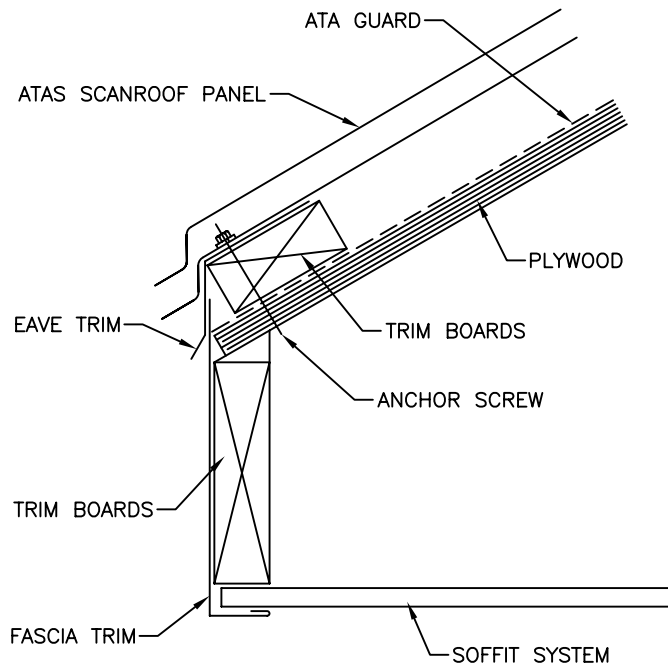
ATAS SKU #: SCR701
TOP NEOPRENE CLOSURE
39-1/2" LONG



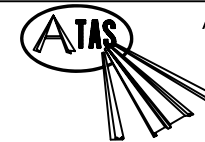
ATAS INTERNATIONAL, INC.
Allentown PA
610-395-8445
Mesa AZ
480-558-7210

TITLE		Scanroof Vented Ridge - ply					
DWG NO. / FILE NO.		Scanroof Vented Ridge - ply			SCALE	3"=1'-0"	
DRAWN BY	DAS	DATE	3-6-06	APPR. BY	JEB	DATE	6-2-06
REVISION NO.	XXXX	REVISION DATE	MM/DD/YY	APPR. BY	XXXX	APPR. DATE	MM/DD/YY

Rev. No.	Revision Date	Drawn By	Description of Revision
0	6-2-06	DAS	Scanroof Vented Ridge - ply



EAVE TRIM - SCA115T3??
 12'-0" Long
 Customer to supply *X*
 or roof slope involved.

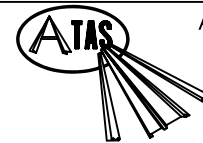
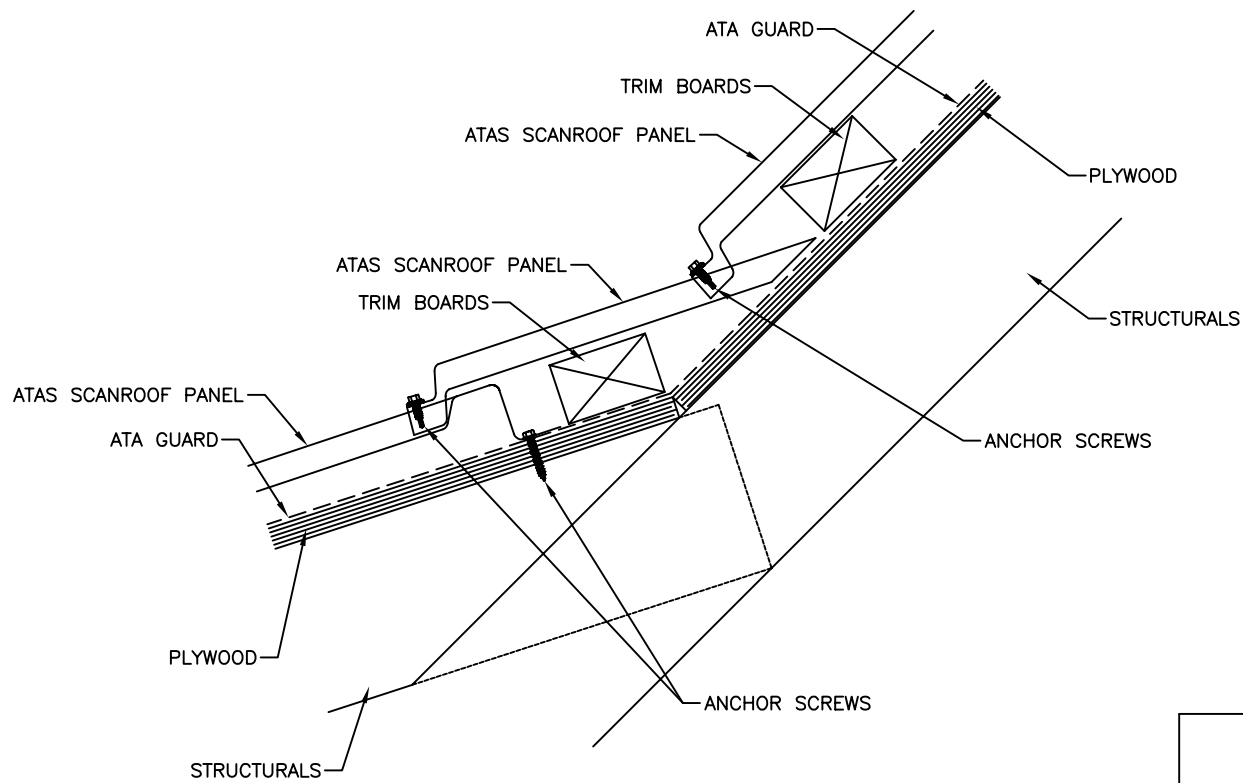


ATAS INTERNATIONAL, INC.

Allentown PA
 610-395-8445
 Mesa AZ
 480-558-7210

TITLE		Scanroof Eave - ply					
DWG NO. / FILE NO.		Scanroof Eave - ply				SCALE	3"=1'-0"
DRAWN BY	DAS	DATE	3-6-06	APPR. BY	JEB	DATE	6-2-06
REVISION NO.	XXXX	REVISION DATE	MM/DD/YY	APPR. BY	XXXX	APPR. DATE	MM/DD/YY

Rev. No.	Revision Date	Drawn By	Description of Revision
0	6-2-06	DAS	Scanroof Eave - ply



ATAS INTERNATIONAL, INC.

Allentown PA
610-395-8445
Mesa AZ
480-558-7210

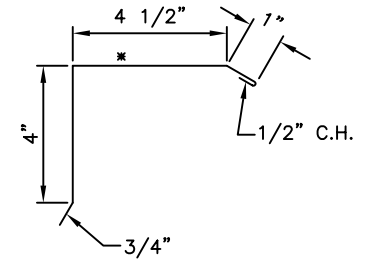
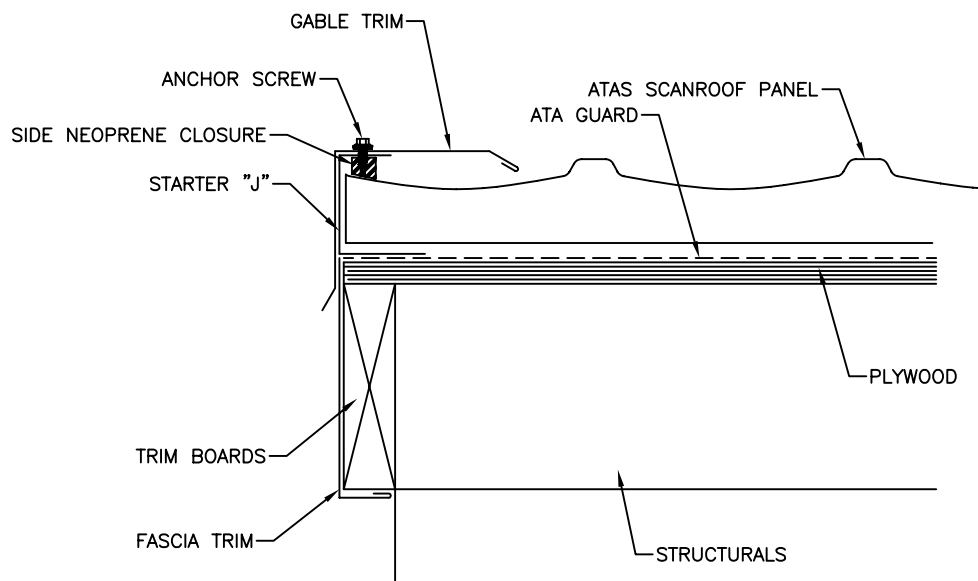
TITLE Scanroof Elbow Transition - ply

DWG NO. / FILE NO. Scanroof Elbow Transition - ply SCALE 3"=1'-0"

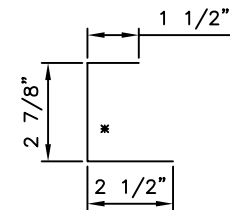
DRAWN BY	DAS	DATE	3-6-06	APPR. BY	JEB	DATE	6-2-06
----------	-----	------	--------	----------	-----	------	--------

REVISION NO.	XXXX	REVISION DATE	MM/DD/YY	APPR. BY	XXXX	APPR. DATE	MM/DD/YY
--------------	------	---------------	----------	----------	------	------------	----------

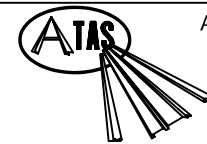
Rev. No.	Revision Date	Drawn By	Description of Revision
0	6-2-06	DAS	Scanroof Elbow Transition - ply



GABLE/RAKE TRIM - SCA210T3??
12'-0" Long



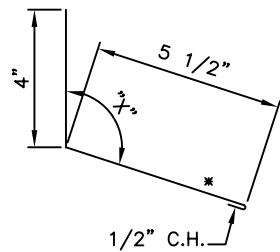
STARTER "J" - SCA970T3??
12'-0" Long



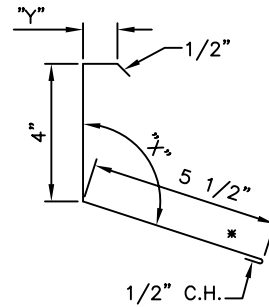
ATAS INTERNATIONAL, INC.
Allentown PA
610-395-8445
Mesa AZ
480-558-7210

TITLE		Scanroof Gable - ply					
DWG NO. / FILE NO.		Scanroof Gable - ply				SCALE	3"=1'-0"
DRAWN BY	DAS	DATE	3-6-06	APPR. BY	JEB	DATE	6-2-06
REVISION NO.	XXXX	REVISION DATE	MM/DD/YY	APPR. BY	XXXX	APPR. DATE	MM/DD/YY

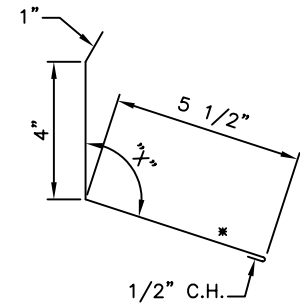
Rev. No.	Revision Date	Drawn By	Description of Revision
0	6-2-06	DAS	Scanroof Gable - ply



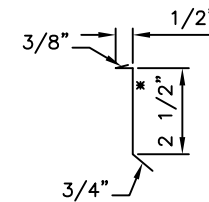
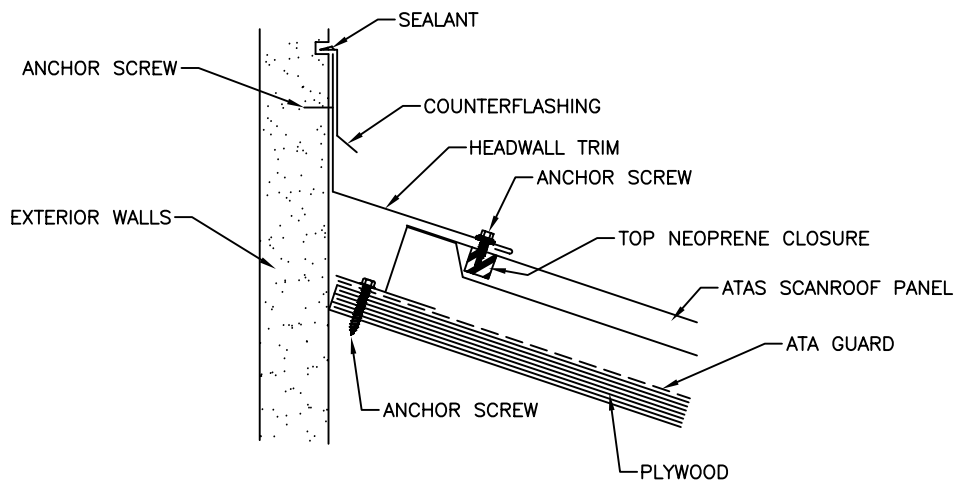
HEADWALL TRIM - SCA500T3??
(MASONRY) - 12'-0" Long
Customer to supply "X"
or slope.



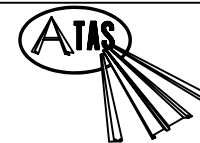
HEADWALL TRIM - SCA501T3??
(SIDING, ETC.) - 12'-0" Long
Customer to supply "X" or
slope involved. "Y" Dim. =
depth of the exterior finish
above plus 1/4".



HEADWALL TRIM - SCA502T3??
(OTHER) - 12'-0" Long
Customer to supply "X"
or slope.



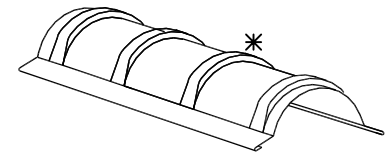
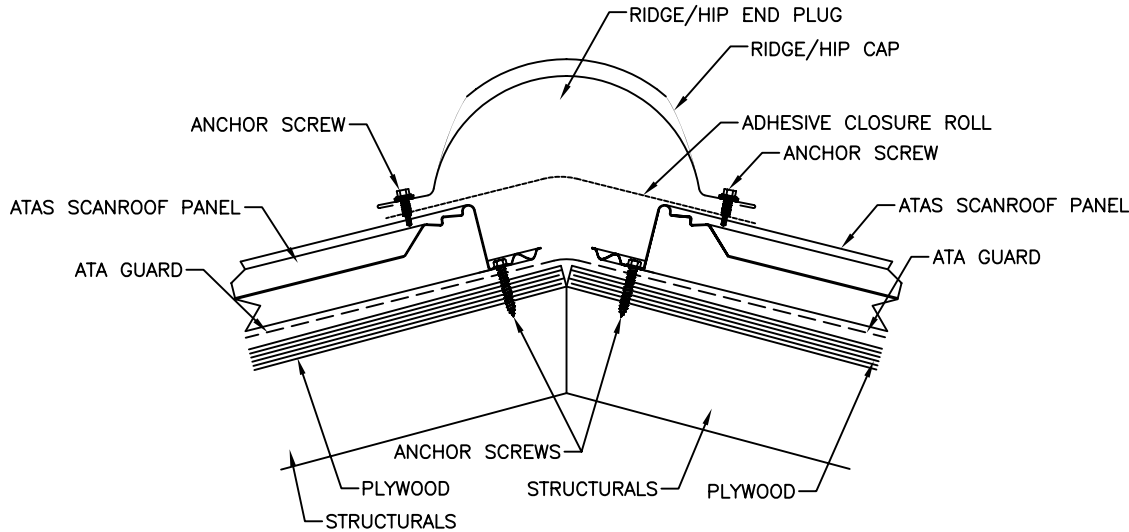
COUNTERFLASHING - SCA980T3??
12'-0" Long



ATAS INTERNATIONAL, INC.
Allentown PA
610-395-8445
Mesa AZ
480-558-7210

TITLE		Scanroof Headwall - ply					
DWG NO. / FILE NO.		Scanroof Headwall - ply				SCALE	3"=1'-0"
DRAWN BY	DAS	DATE	3-6-06	APPR. BY	JEB	DATE	6-2-06
REVISION NO.	XXXX	REVISION DATE	MM/DD/YY	APPR. BY	XXXX	APPR. DATE	MM/DD/YY

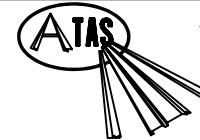
Rev. No.	Revision Date	Drawn By	Description of Revision
0	6-2-06	DAS	Scanroof Headwall - ply



HIP/RIDGE CAP - SCA315T3??
4'-0" LONG
3'-7" COVERAGE



HIP/RIDGE END PLUG
SCA330T3??

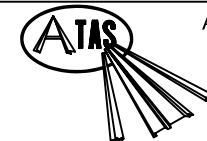
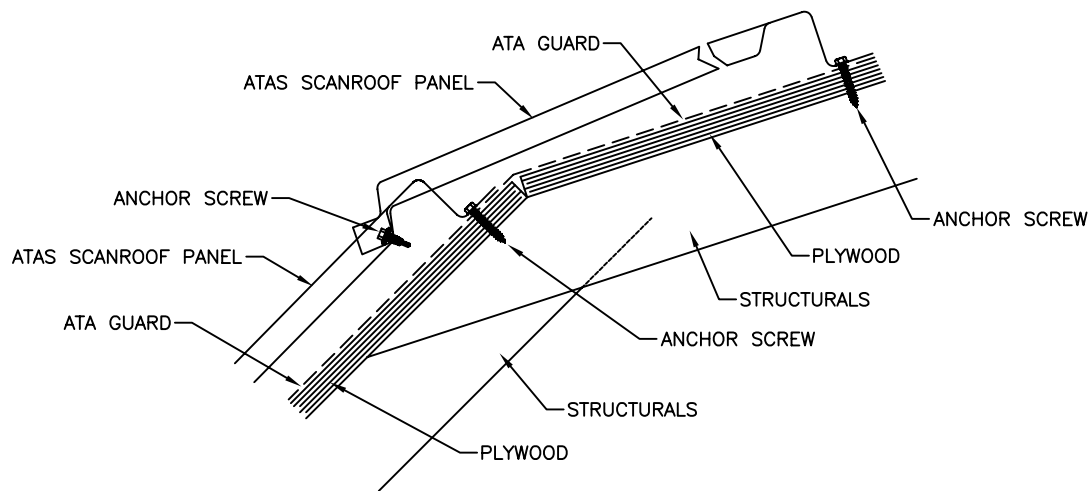


ATAS INTERNATIONAL, INC.

Allentown PA
610-395-8445
Mesa AZ
480-558-7210

TITLE		Scanroof Hip - ply					
DWG NO. / FILE NO.		Scanroof Hip - ply				SCALE	3"=1'-0"
DRAWN BY	DAS	DATE	3-6-06	APPR. BY	JEB	DATE	6-2-06
REVISION NO.	XXXX	REVISION DATE	MM/DD/YY	APPR. BY	XXXX	APPR. DATE	MM/DD/YY

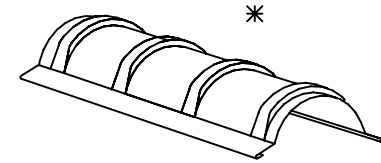
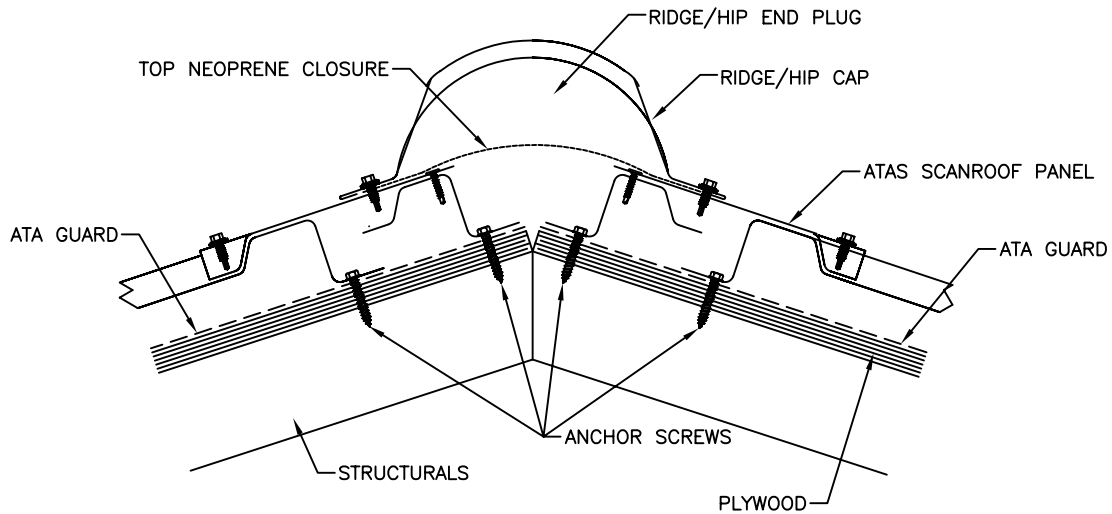
Rev. No.	Revision Date	Drawn By	Description of Revision
0	6-2-06	DAS	Scanroof Hip - ply



ATAS INTERNATIONAL, INC.
 Allentown PA
 610-395-8445
 Mesa AZ
 480-558-7210

TITLE		Scanroof Knee Transition - ply					
DWG NO. / FILE NO.		Scanroof Knee Transition - ply				SCALE	3"=1'-0"
DRAWN BY	DAS	DATE	3-6-06	APPR. BY	JEB	DATE	6-2-06
REVISION NO.	XXXX	REVISION DATE	MM/DD/YY	APPR. BY	XXXX	APPR. DATE	MM/DD/YY

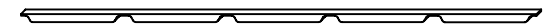
Rev. No.	Revision Date	Drawn By	Description of Revision
0	6-2-06	DAS	Scanroof Knee Transition - ply



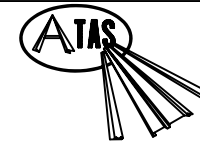
RIDGE CAP - SCA315T3??
4'-0" LONG
3'-7" COVERAGE



HIP/RIDGE END PLUG - SCA330T3??
- FITS OF CAP -



ATAS SKU #: SCR701
TOP NEOPRENE CLOSURE
39-1/2" LONG

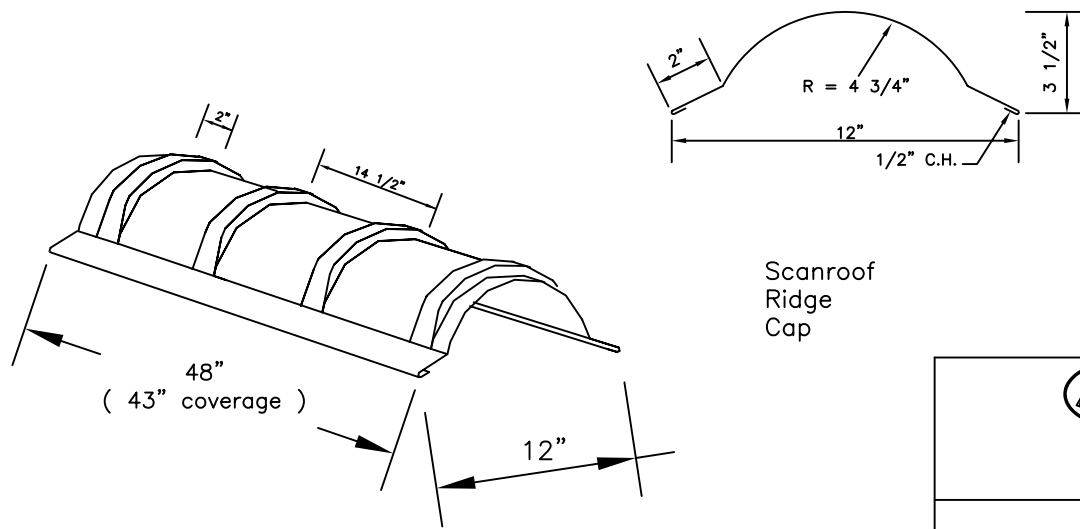


ATAS INTERNATIONAL, INC.

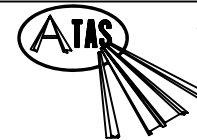
Allentown PA
610-395-8445
Mesa AZ
480-558-7210

TITLE		Scanroof Ridge - ply					
DWG NO. / FILE NO.		Scanroof Ridge - ply				SCALE	3"=1'-0"
DRAWN BY	DAS	DATE	3-6-06	APPR. BY	JEB	DATE	6-2-06
REVISION NO.	XXXX	REVISION DATE	MM/DD/YY	APPR. BY	XXXX	APPR. DATE	MM/DD/YY

Rev. No.	Revision Date	Drawn By	Description of Revision
0	6-2-06	DAS	Scanroof Ridge - ply



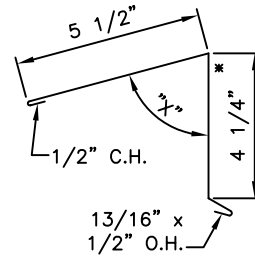
Scanroof
Ridge
Cap



ATAS INTERNATIONAL, INC.
Allentown PA
610-395-8445
Mesa AZ
480-558-7210

TITLE		Scanroof Ridge Cap					
DWG NO. / FILE NO.		Scanroof Ridge Cap			SCALE	3"=1'-0"	
DRAWN BY	DAS	DATE	3-6-06	APPR. BY	JEB	DATE	6-5-06
REVISION NO.	XXXX	REVISION DATE	MM/DD/YY	APPR. BY	XXXX	APPR. DATE	MM/DD/YY

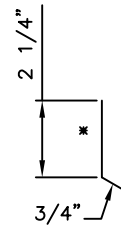
Rev. No.	Revision Date	Drawn By	Description of Revision
0	6-5-06	DAS	Scanroof Ridge Cap



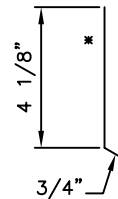
SHED RIDGE TRIM - SCA342T3??
12'-0" Long

Customer to furnish 'X' or the roof slope involved.

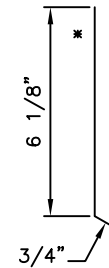
Customer to state:
With/without Starter Cleat (#23)
or Shed Ridge Starter Cleat (#29).
If ordered without part #23 or #29
then part #22 will be fabricated
having a 3/4" tab @ 150° without
the 1/2" O.H.



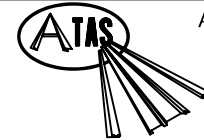
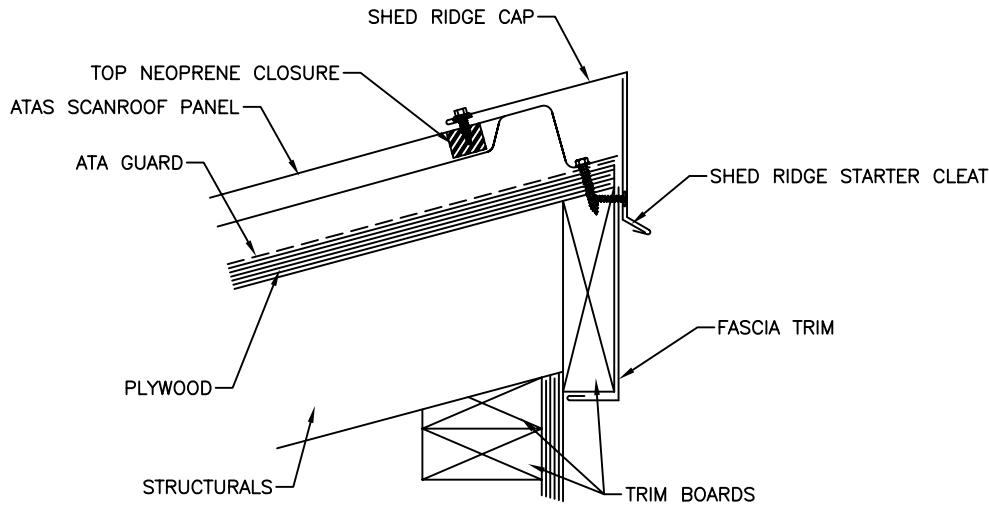
STANDARD STARTER CLEAT
- SCA348T3??



SHED RIDGE STARTER CLEAT
- SCA348T3??



VENTED SHED RIDGE STARTER CLEAT
- SCA349T3??

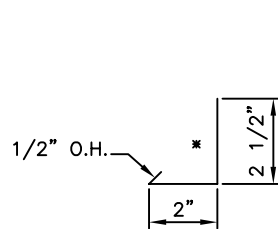


ATAS INTERNATIONAL, INC.

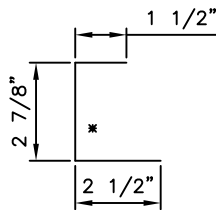
Allentown PA
610-395-8445
Mesa AZ
480-558-7210

TITLE		Scanroof Shed Ridge - ply			
DWG NO. / FILE NO.	Scanroof Shed Ridge - ply			SCALE	3"=1'-0"
DRAWN BY	DAS	DATE	3-6-06	APPR. BY	JEB
REVISION NO.	XXXX	REVISION DATE	MM/DD/YY	APPR. BY	XXXX
0	6-2-06	DAS	Scanroof Shed Ridge - ply	DATE	6-2-06
				APPR. DATE	MM/DD/YY

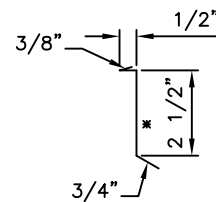
Rev. No.	Revision Date	Drawn By	Description of Revision
0	6-2-06	DAS	Scanroof Shed Ridge - ply



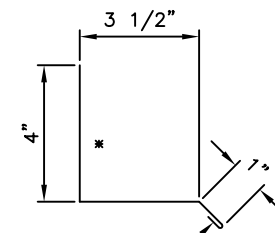
STEP FLASHING - SCA420T3??
1'-6" Long



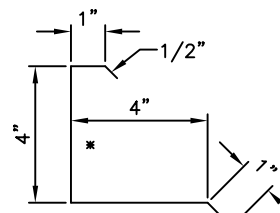
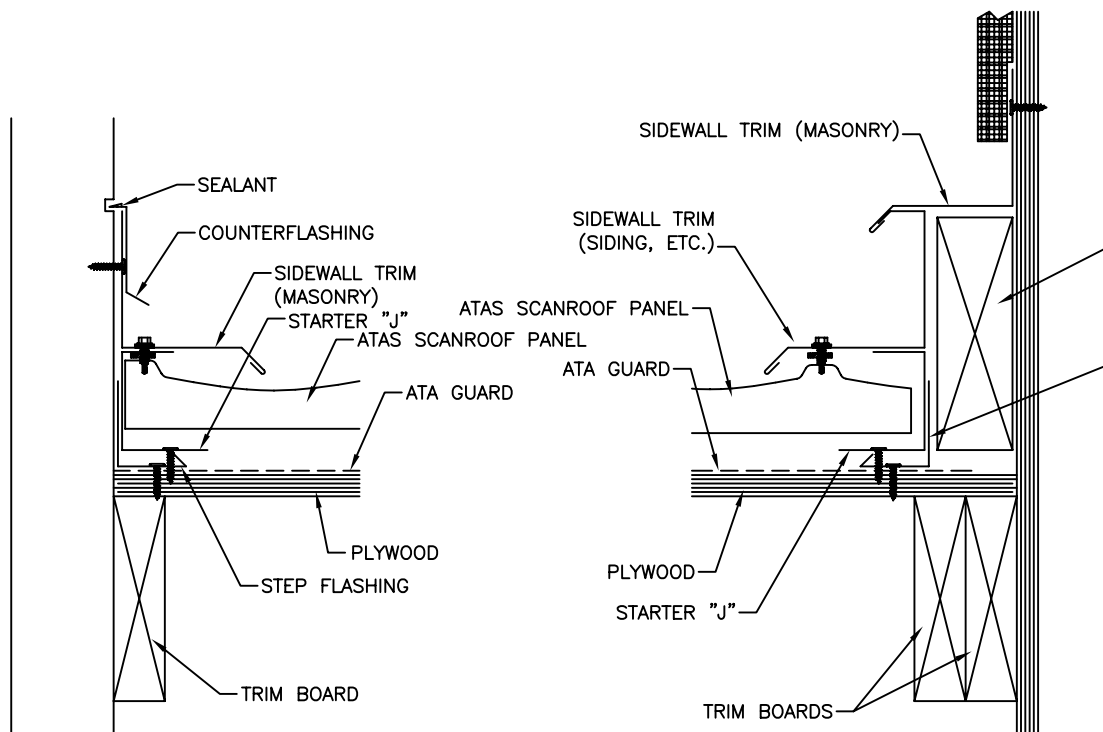
STARTER "J" - SCA970T3??
12'-0" Long



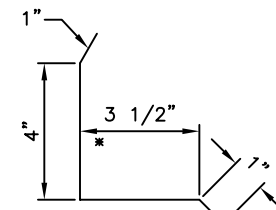
COUNTERFLASHING - SCA980T3??
12'-0" Long each.



1/2" C.H.
SIDEWALL TRIM - SCA410T3??
12'-0" Long



1/2" C.H.
SIDEWALL TRIM - SCA411T3??
12'-0" Long



1/2" C.H.
SIDEWALL TRIM - SCA412T3??
12'-0" Long



ATAS INTERNATIONAL, INC.
Allentown PA
610-395-8445
Mesa AZ
480-558-7210

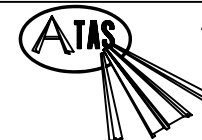
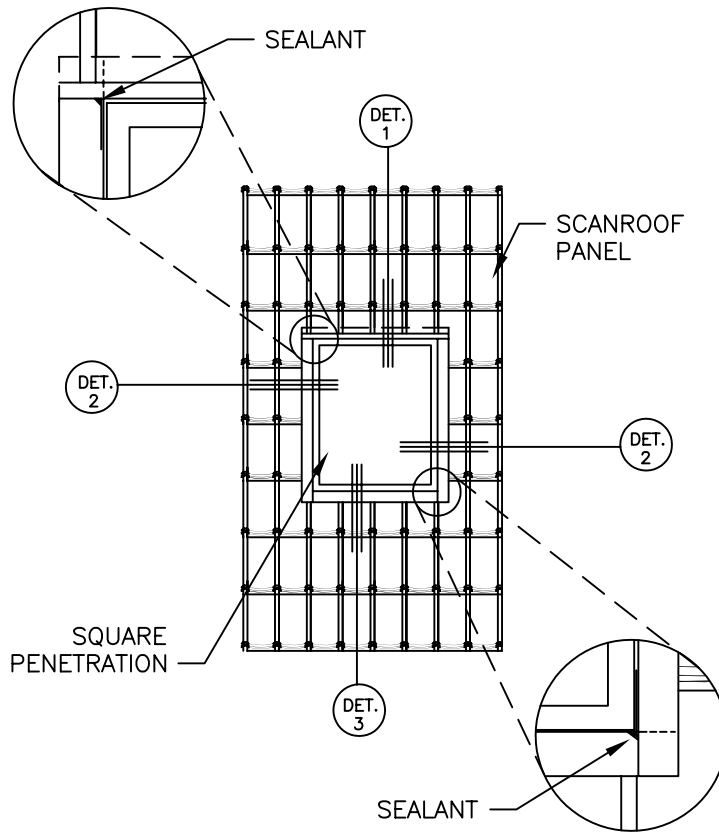
TITLE Scanroof Sidewall - ply

DWG NO. / FILE NO. Scanroof Sidewall - ply SCALE 3"=1'-0"

DRAWN BY DAS DATE 3-6-06 APPR. BY JEB DATE 6-2-06

REVISION NO. XXXX REVISION DATE MM/DD/YY APPR. BY XXXX APPR. DATE MM/DD/YY

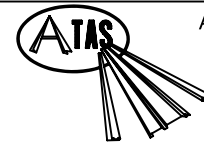
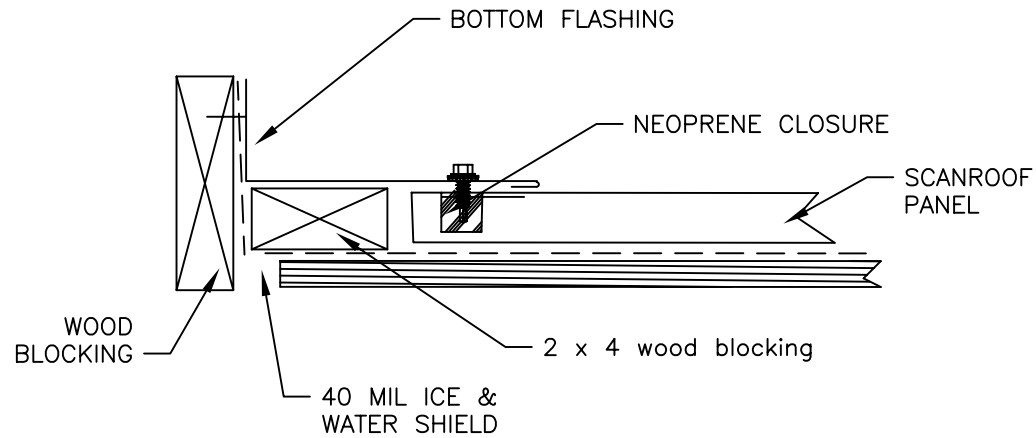
Rev. No.	Revision Date	Drawn By	Description of Revision
0	6-2-06	DAS	Scanroof Sidewall - ply



ATAS INTERNATIONAL, INC.
 Allentown PA
 610-395-8445
 Mesa AZ
 480-558-7210

TITLE		Scanroof Square Penetration					
DWG NO. / FILE NO.		Scanroof Square Penetration				SCALE	3"=1'-0"
DRAWN BY	DAS	DATE	3-6-06	APPR. BY	JEB	DATE	6-5-06
REVISION NO.	XXXX	REVISION DATE	MM/DD/YY	APPR. BY	XXXX	APPR. DATE	MM/DD/YY

Rev. No.	Revision Date	Drawn By	Description of Revision
0	6-5-06	DAS	Scanroof Square Penetration



ATAS INTERNATIONAL, INC.
 Allentown PA
 610-395-8445
 Mesa AZ
 480-558-7210

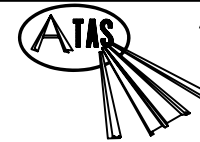
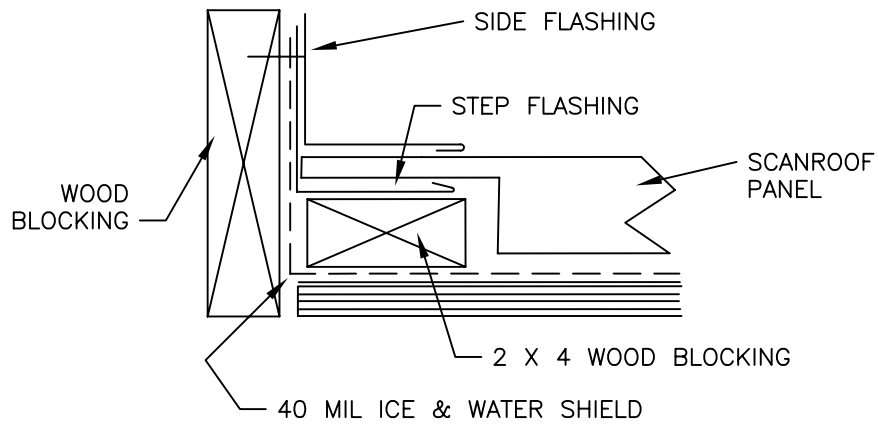
TITLE Scanroof Square Penetration - Bottom Flashing

DWG NO. Scanroof Square Penetration - Bottom Flashing SCALE 3"=1'-0"
 FILE NO.

DRAWN BY DAS DATE 3-6-06 APPR. BY JEB DATE 6-5-06

REVISION NO. XXXX REVISION DATE MM/DD/YY APPR. BY XXXX APPR. DATE MM/DD/YY

Rev. No.	Revision Date	Drawn By	Description of Revision
0	6-5-06	DAS	Scanroof Square Penetration - Bottom Flashing

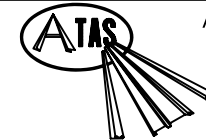
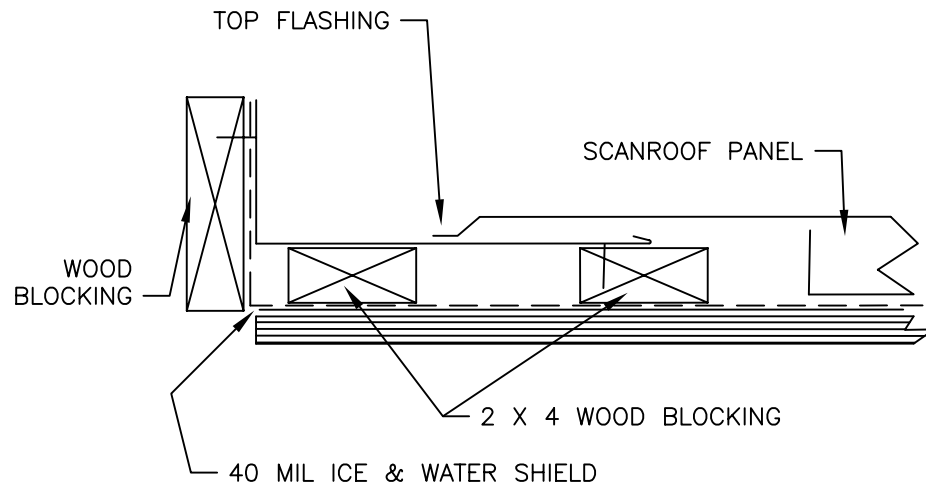


ATAS INTERNATIONAL, INC.
 Allentown PA
 610-395-8445
 Mesa AZ
 480-558-7210

TITLE Scanroof Square Penetration - Side Flashing

DWG NO. / FILE NO. Scanroof Square Penetration - Side Flashing SCALE 3"=1'-0"

Rev. No.	Revision Date	Drawn By	Description of Revision	DRAWN BY	DAS	DATE	3-6-06	APPR. BY	JEB	DATE	6-5-06
0	6-5-06	DAS	Scanroof Square Penetration - Side Flashing	REVISION NO.	XXXX	REVISION DATE	MM/DD/YY	APPR. BY	XXXX	APPR. DATE	MM/DD/YY



ATAS INTERNATIONAL, INC.
 Allentown PA
 610-395-8445
 Mesa AZ
 480-558-7210

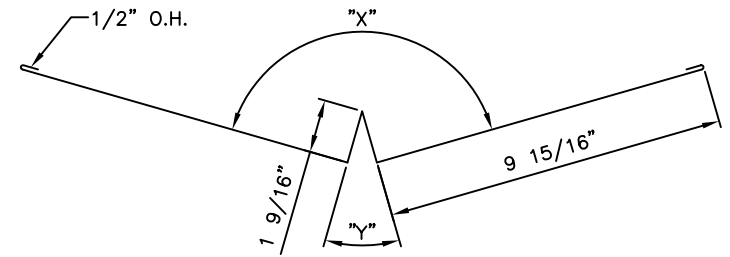
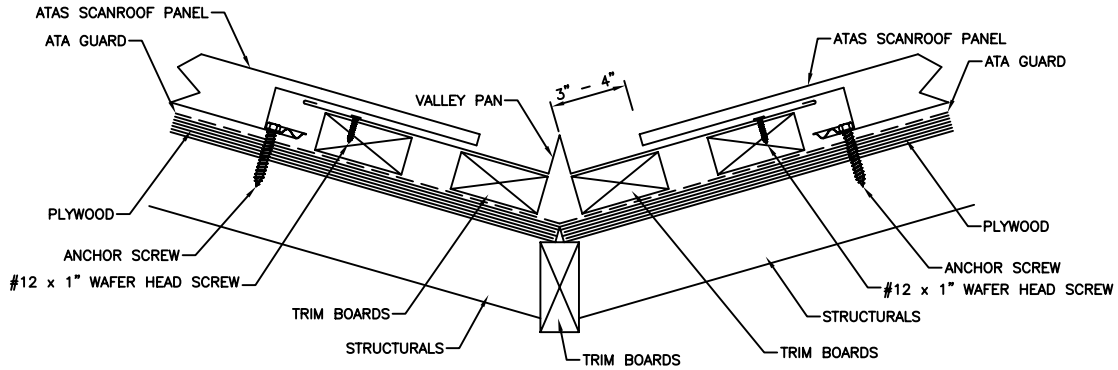
TITLE Scanroof Square Penetration - Top Flashing

DWG NO. / FILE NO. Scanroof Square Penetration - Top Flashing SCALE 3"=1'-0"

DRAWN BY DAS DATE 3-6-06 APPR. BY JEB DATE 6-5-06

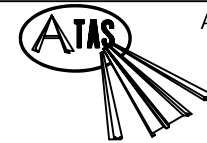
REVISION NO. XXXX REVISION DATE MM/DD/YY APPR. BY XXXX APPR. DATE MM/DD/YY

Rev. No.	Revision Date	Drawn By	Description of Revision
0	6-5-06	DAS	Scanroof Square Penetration - Top Flashing



ANGLE "Y" (Forming Angle) = $180^\circ - "X"$.

VALLEY PAN - SCA800T3??
 12'-0" Long
 Customer to furnish "X" or the
 roof slope involved.

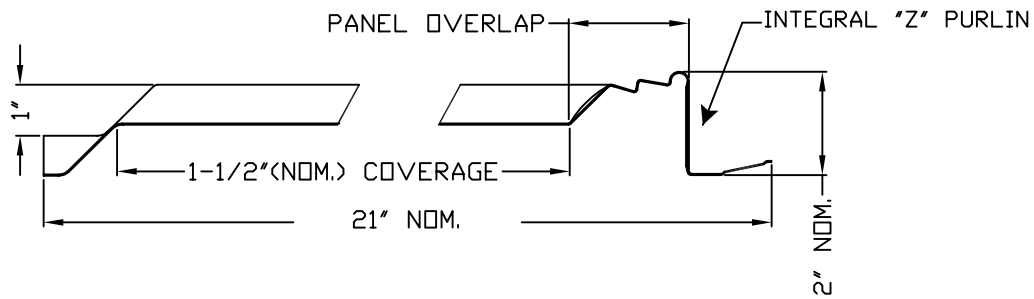


ATAS INTERNATIONAL, INC.

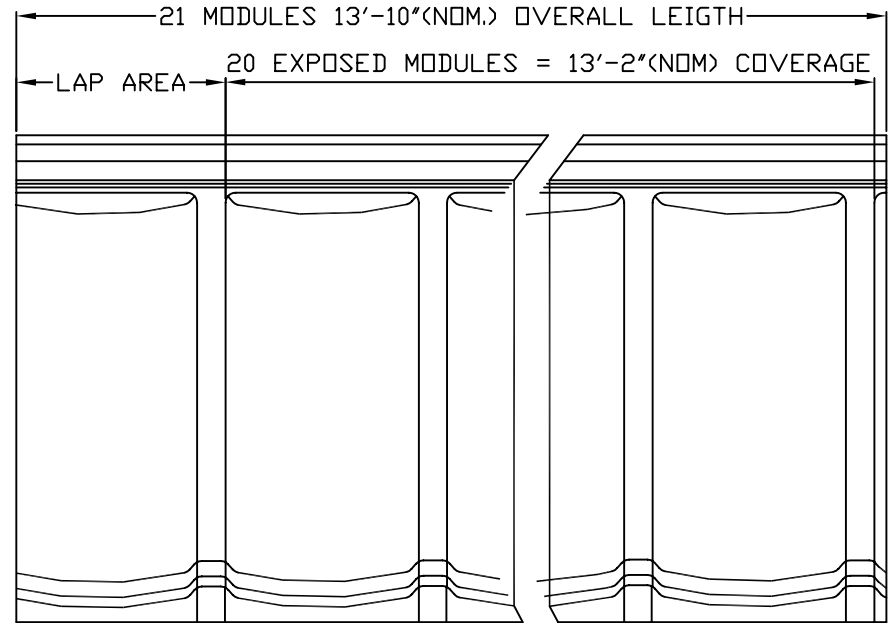
Allentown PA
 610-395-8445
 Mesa AZ
 480-558-7210

TITLE								Scanroof Valley - ply		
DWG NO. / FILE NO.				Scanroof Valley - ply				SCALE		3"=1'-0"
DRAWN BY	DAS	DATE	3-6-06	APPR. BY	JEB	DATE	6-2-06			
REVISION NO.	XXXX	REVISION DATE	MM/DD/YY	APPR. BY	XXXX	APPR. DATE	MM/DD/YY			

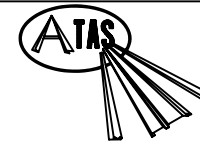
Rev. No.	Revision Date	Drawn By	Description of Revision
0	6-2-06	DAS	Scanroof Valley - ply



SIDE VIEW



TOP VIEW



ATAS INTERNATIONAL, INC.
 Allentown PA
 610-395-8445
 Mesa AZ
 480-558-7210

TITLE		Scan Roof Profile					
DWG NO. / FILE NO.		Scan Roof Profile				SCALE	3"=1'-0"
DRAWN BY	DAS	DATE	7-24-07	APPR. BY	JEB	DATE	7-24-07
REVISION NO.	XXXX	REVISION DATE	MM/DD/YY	APPR. BY	XXXX	APPR. DATE	MM/DD/YY

Rev. No.	Revision Date	Drawn By	Description of Revision
0	7-24-07	DAS	Scan Roof Profile