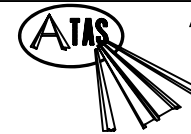
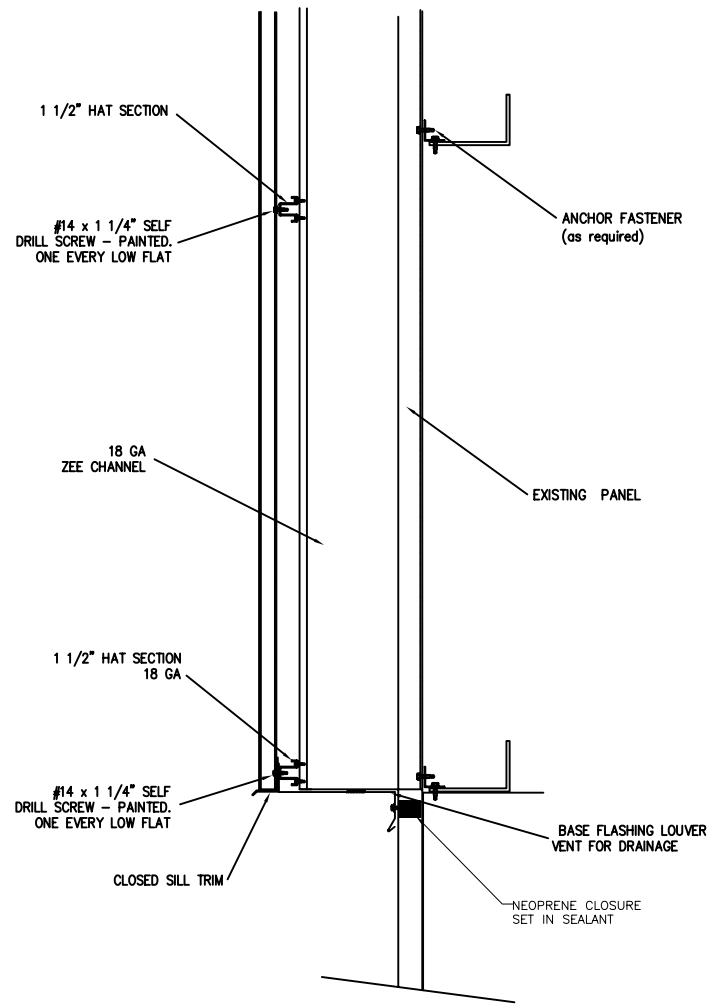


ATAS INTERNATIONAL, INC.  
 Allentown PA  
 610-395-8445  
 Mesa AZ  
 480-558-7210

TITLE **INSPIRE TOP DETAIL - gutter**

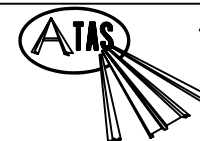
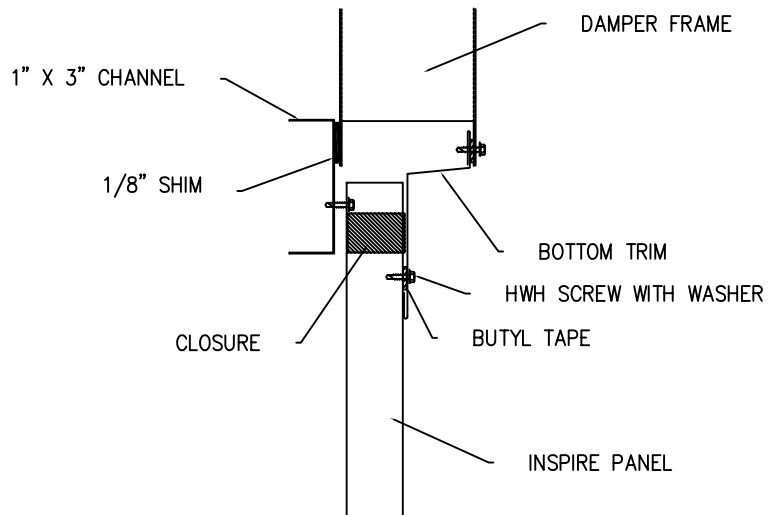
Rev. No.	Revision Date	Drawn By	Description of Revision	DWG NO. / FILE NO.	INSPIRE TOP DETAIL - gutter	SCALE	X:Y				
0	2-3-09	DAS	Typical Inspire system top detail - under gutter	DRAWN BY	DAS	DATE	2-3-09	APPR. BY	JEB	DATE	2-3-09



ATAS INTERNATIONAL, INC.  
 Allentown PA  
 610-395-8445  
 Mesa AZ  
 480-558-7210

TITLE **INSPIRE DETAIL - bottom**

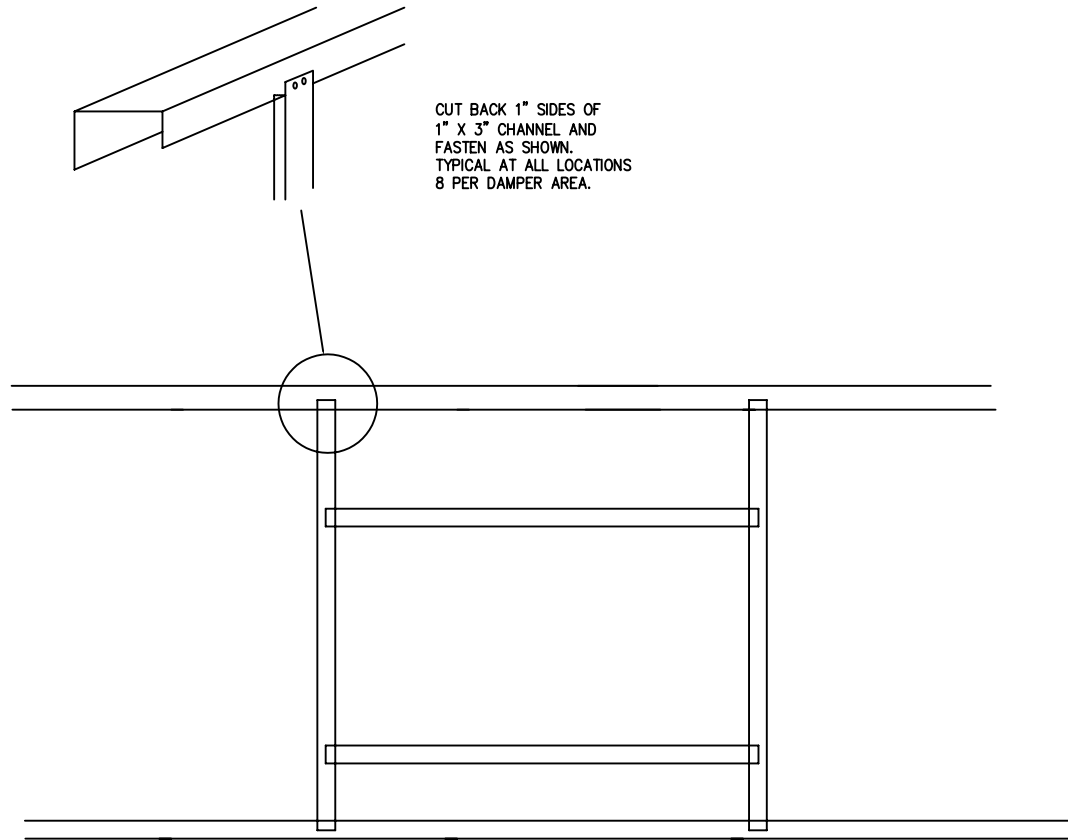
Rev. No.	Revision Date	Drawn By	Description of Revision	DWG NO. / FILE NO.	INSPIRE DETAIL - bottom		SCALE	X:Y			
0	2-3-09	DAS	Typical Inspire system detail - bottom	DRAWN BY	DAS	DATE	2-3-09	APPR. BY	JEB	DATE	2-3-09



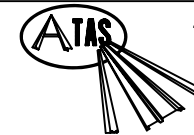
ATAS INTERNATIONAL, INC.  
 Allentown PA  
 610-395-8445  
 Mesa AZ  
 480-558-7210

TITLE **INSPIRE DETAIL - bypass damper bottom**

Rev. No.	Revision Date	Drawn By	Description of Revision	DWG NO. / FILE NO.	INSPIRE DETAIL - bypass damper bottom	SCALE	X:Y				
0	2-3-09	DAS	Typical Inspire system detail - bypass damper bottom	DRAWN BY	DAS	DATE	2-3-09	APPR. BY	JEB	DATE	2-3-09



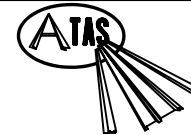
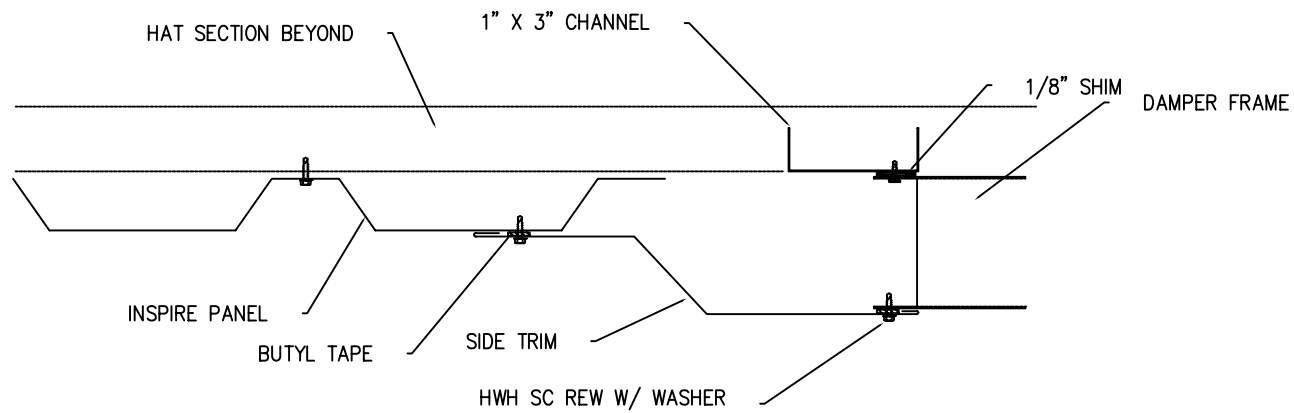
CUT BACK 1" SIDES OF  
1" X 3" CHANNEL AND  
FASTEN AS SHOWN.  
TYPICAL AT ALL LOCATIONS  
8 PER DAMPER AREA.



ATAS INTERNATIONAL, INC.  
Allentown PA  
610-395-8445  
Mesa AZ  
480-558-7210

TITLE **INSPIRE DETAIL - bypass damper frame**

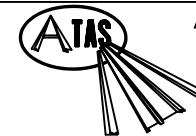
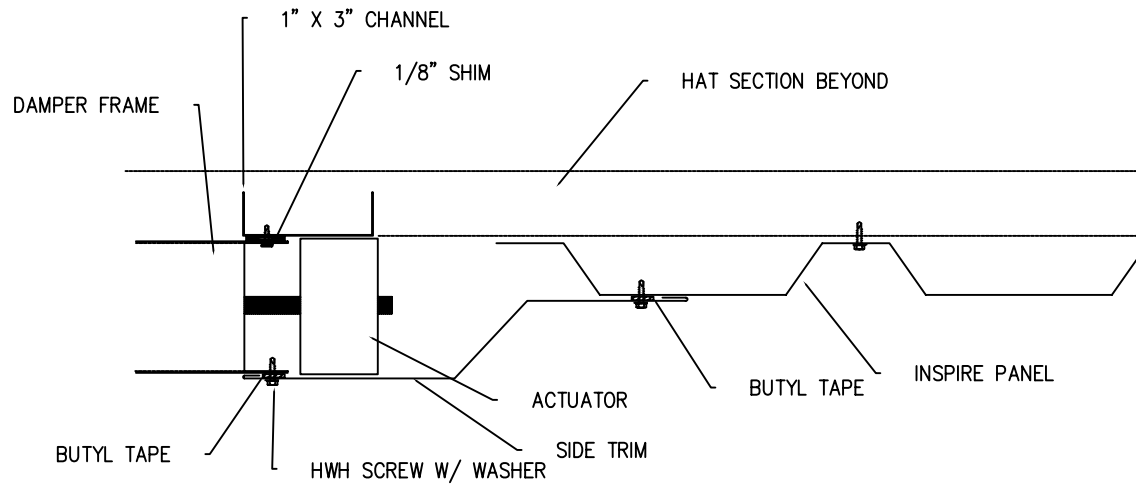
Rev. No.	Revision Date	Drawn By	Description of Revision	DWG NO. / FILE NO.	INSPIRE DETAIL - bypass damper frame			SCALE	X:Y		
0	2-3-09	DAS	Typical Inspire system detail - bypass damper frame	DRAWN BY	DAS	DATE	2-3-09	APPR. BY	JEB	DATE	2-3-09



ATAS INTERNATIONAL, INC.  
 Allentown PA  
 610-395-8445  
 Mesa AZ  
 480-558-7210

TITLE **INSPIRE DETAIL - bypass damper side**

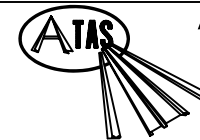
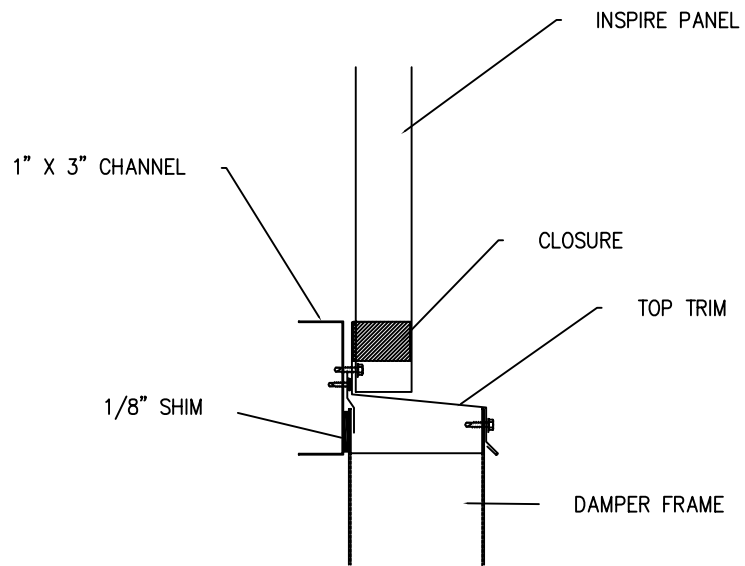
Rev. No.	Revision Date	Drawn By	Description of Revision	DWG NO. / FILE NO.	INSPIRE DETAIL - bypass damper side	SCALE	X:Y				
0	2-3-09	DAS	Typical Inspire system detail - bypass damper side	DRAWN BY	DAS	DATE	2-3-09	APPR. BY	JEB	DATE	2-3-09



ATAS INTERNATIONAL, INC.  
 Allentown PA  
 610-395-8445  
 Mesa AZ  
 480-558-7210

**TITLE**  
**INSPIRE DETAIL - bypass damper side**  
**actuator**

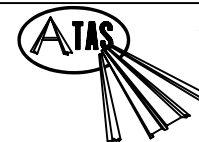
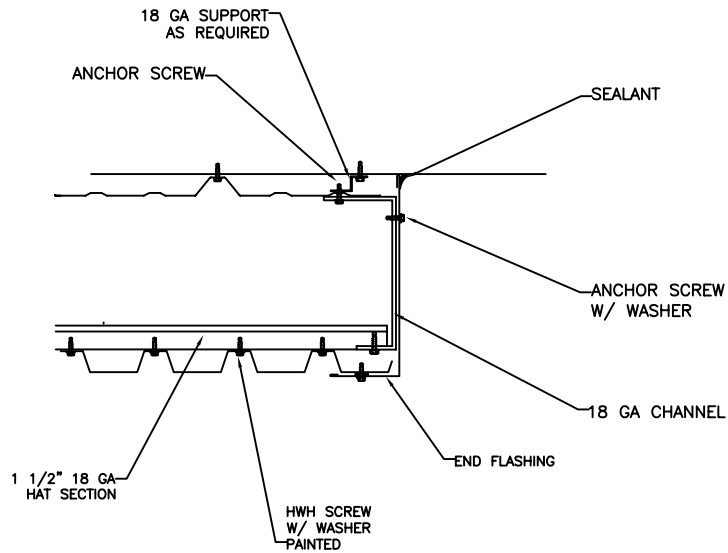
Rev. No.	Revision Date	Drawn By	Description of Revision	DWG NO. / FILE NO.	SCALE	X:Y
0	2-3-09	DAS	Typical Inspire system detail - bypass damper side w/ actuator	DRAWN BY: DAS	DATE: 2-3-09	APPR. BY: JEB
				DATE: 2-3-09	DATE: 2-3-09	DATE: 2-3-09



ATAS INTERNATIONAL, INC.  
 Allentown PA  
 610-395-8445  
 Mesa AZ  
 480-558-7210

TITLE **INSPIRE DETAIL - bypass damper top**

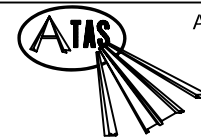
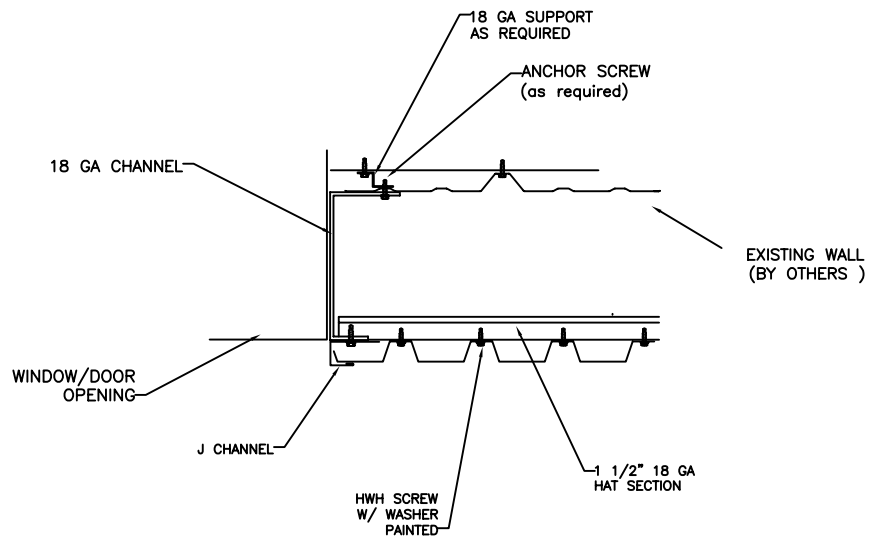
Rev. No.	Revision Date	Drawn By	Description of Revision	DWG NO. / FILE NO.	INSPIRE DETAIL - bypass damper top	SCALE	X:Y				
0	2-3-09	DAS	Typical Inspire system detail - bypass damper top	DRAWN BY	DAS	DATE	2-3-09	APPR. BY	JEB	DATE	2-3-09



ATAS INTERNATIONAL, INC.  
 Allentown PA  
 610-395-8445  
 Mesa AZ  
 480-558-7210

TITLE **INSPIRE DETAIL - end of wall**

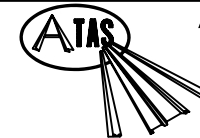
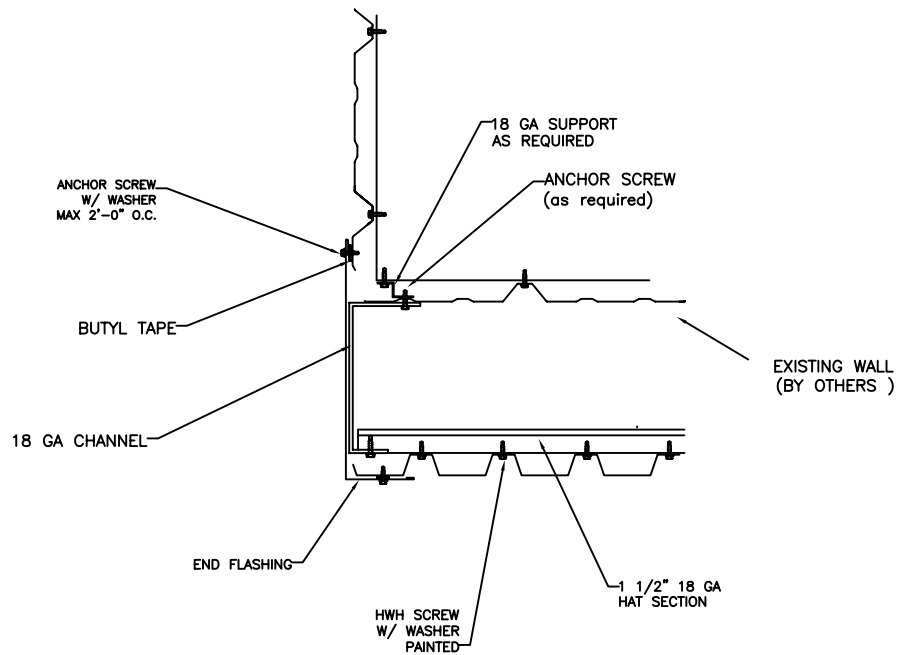
Rev. No.	Revision Date	Drawn By	Description of Revision	DWG NO. / FILE NO.	INSPIRE DETAIL - end of wall	SCALE	X:Y				
0	2-3-09	DAS	Typical Inspire system detail - end of wall	DRAWN BY	DAS	DATE	2-3-09	APPR. BY	JEB	DATE	2-3-09



ATAS INTERNATIONAL, INC.  
 Allentown PA  
 610-395-8445  
 Mesa AZ  
 480-558-7210

TITLE **INSPIRE DETAIL - J channel - jamb**

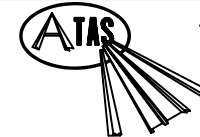
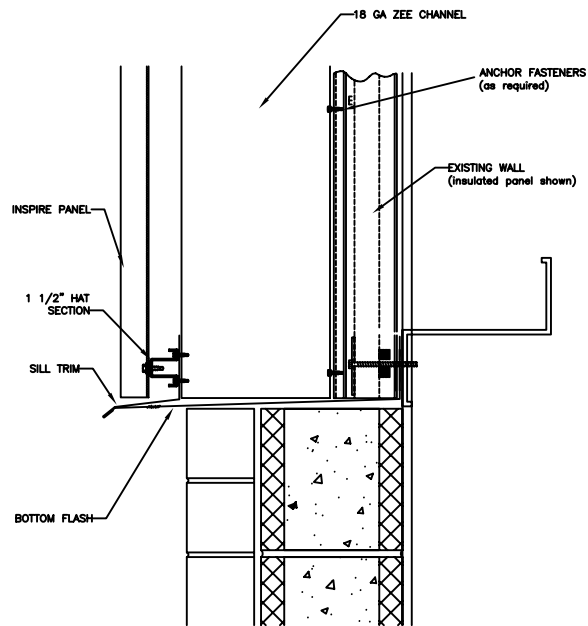
Rev. No.	Revision Date	Drawn By	Description of Revision	DWG NO. / FILE NO.	INSPIRE DETAIL - j channel - jamb	SCALE	X:Y				
0	3-17-09	DAS	Typical Inspire system detail - J Channel - Jamb	DRAWN BY	DAS	DATE	3-17-09	APPR. BY	JEB	DATE	3-17-09



ATAS INTERNATIONAL, INC.  
 Allentown PA  
 610-395-8445  
 Mesa AZ  
 480-558-7210

TITLE		<b>INSPIRE DETAIL - outside corner</b>			
DWG NO. / FILE NO.	INSPIRE DETAIL - outside corner			SCALE	X:Y
DRAWN BY	DAS	DATE	2-3-09	APPR. BY	JEB
		DATE	2-3-09		

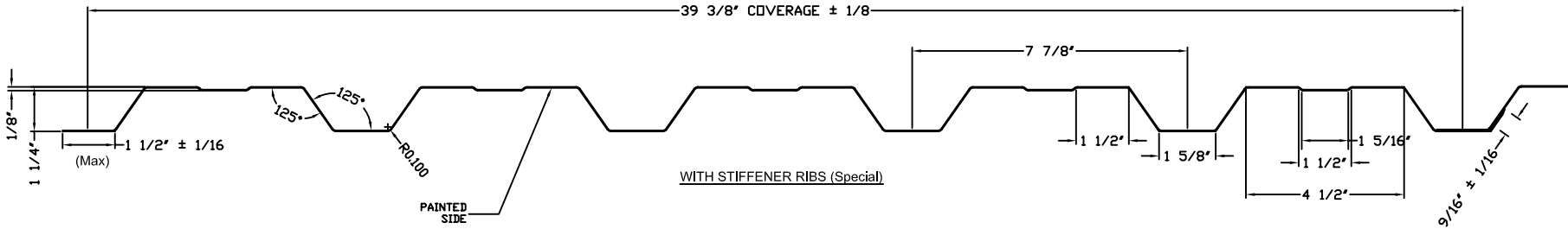
Rev. No.	Revision Date	Drawn By	Description of Revision
0	2-3-09	DAS	Typical Inspire system detail - outside corner



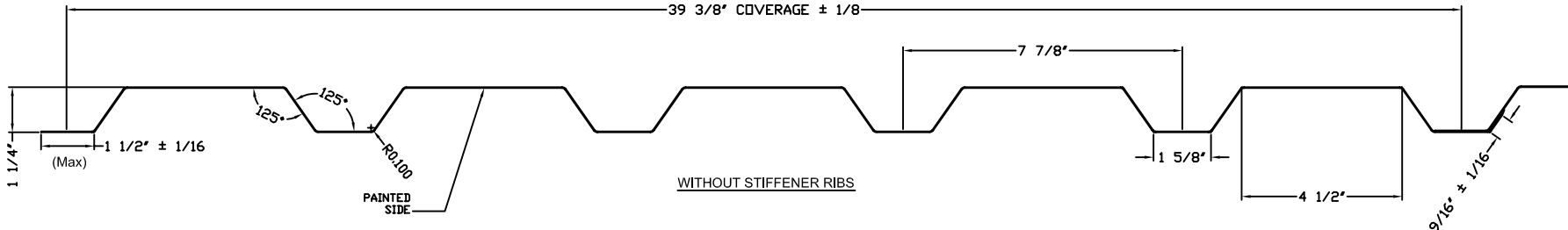
ATAS INTERNATIONAL, INC.  
 Allentown PA  
 610-395-8445  
 Mesa AZ  
 480-558-7210

TITLE **INSPIRE DETAIL - bottom at block**

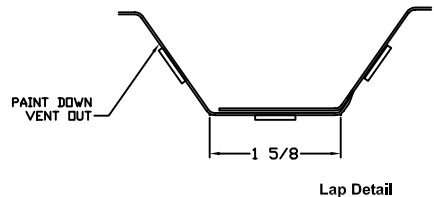
Rev. No.	Revision Date	Drawn By	Description of Revision	DWG NO. / FILE NO.	INSPIRE DETAIL - bottom at block	SCALE	X:Y				
0	2-3-09	DAS	Typical Inspire system detail - bottom at block	DRAWN BY	DAS	DATE	2-3-09	APPR. BY	JEB	DATE	2-3-09



WITH STIFFENER RIBS (Special)



WITHOUT STIFFENER RIBS



Lap Detail

NOTES:

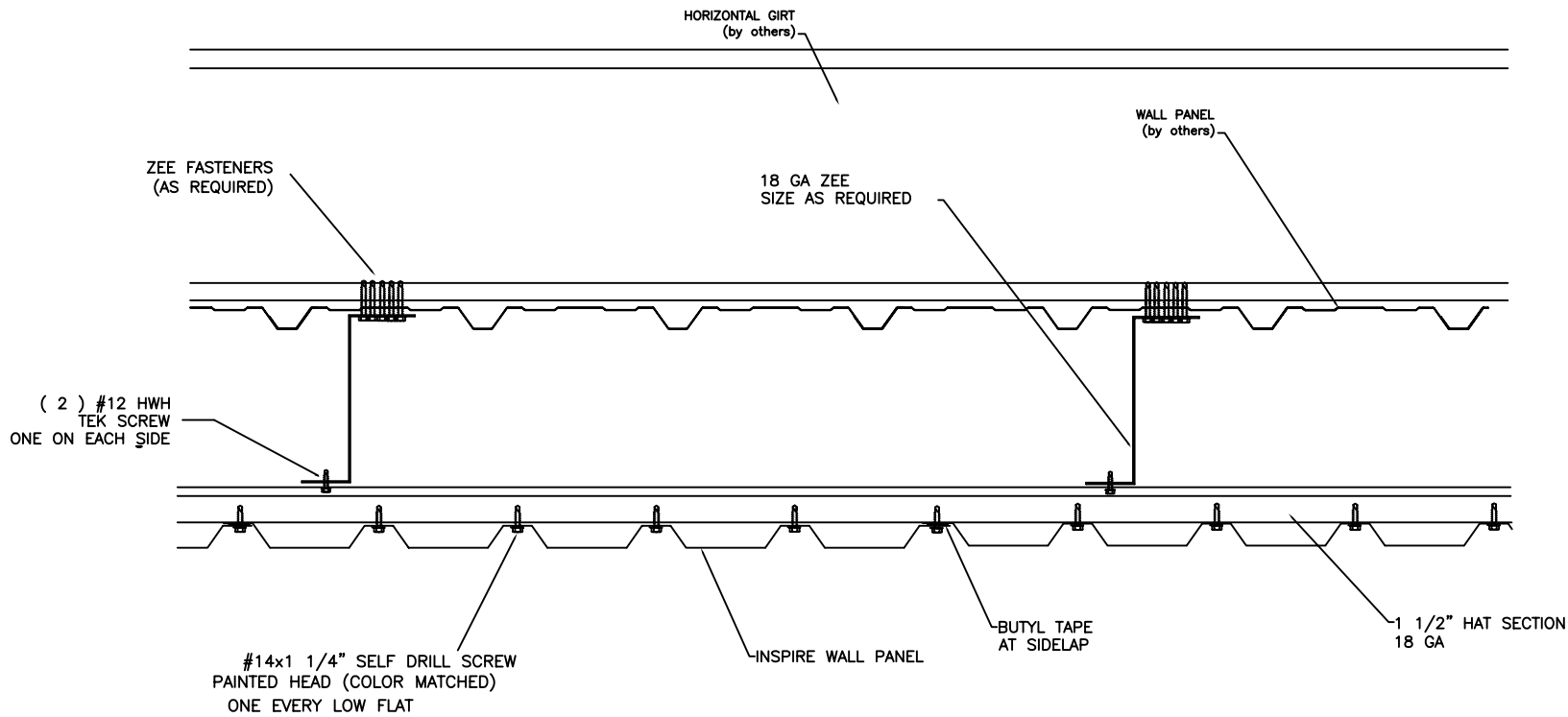
InSpire Panel can be manufactured with perforations or without perforations.

STANDARD MATERIALS:  
Nom. 0.032" Aluminum

Length Tolerance ± 1/4 inch    Dimensions without tolerances are for Reference Only


	ATAS INTERNATIONAL, INC. Allentown PA 610-395-8445 Mesa AZ 480-558-7210		
	TITLE: <b>INSPIRE PANEL BWS392</b>		

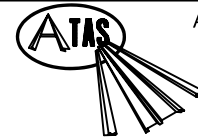
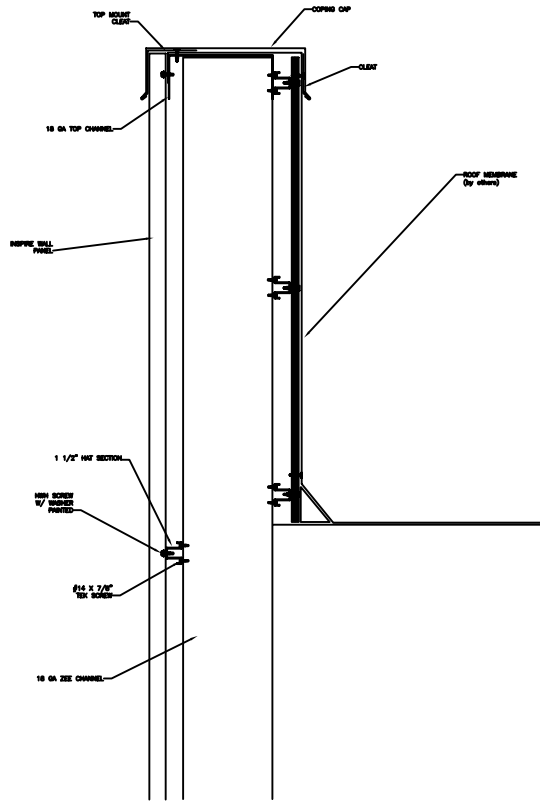
Rev. No.	Revision Date	Drawn By	Description of Revision	DWG NO. / FILE NO.	INSPIRE PANEL AND OVERLAP		SCALE	X:Y
0	2-3-09	DAS	Panel profile and overlap detail	DRAWN BY: DAS	DATE: 2-3-09	APPR BY: JEB	DATE: 2-3-09	



## TYPICAL INSPIRE WALL SYSTEM CONSTRUCTION

SCALE: N.T.S.

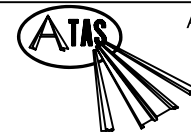
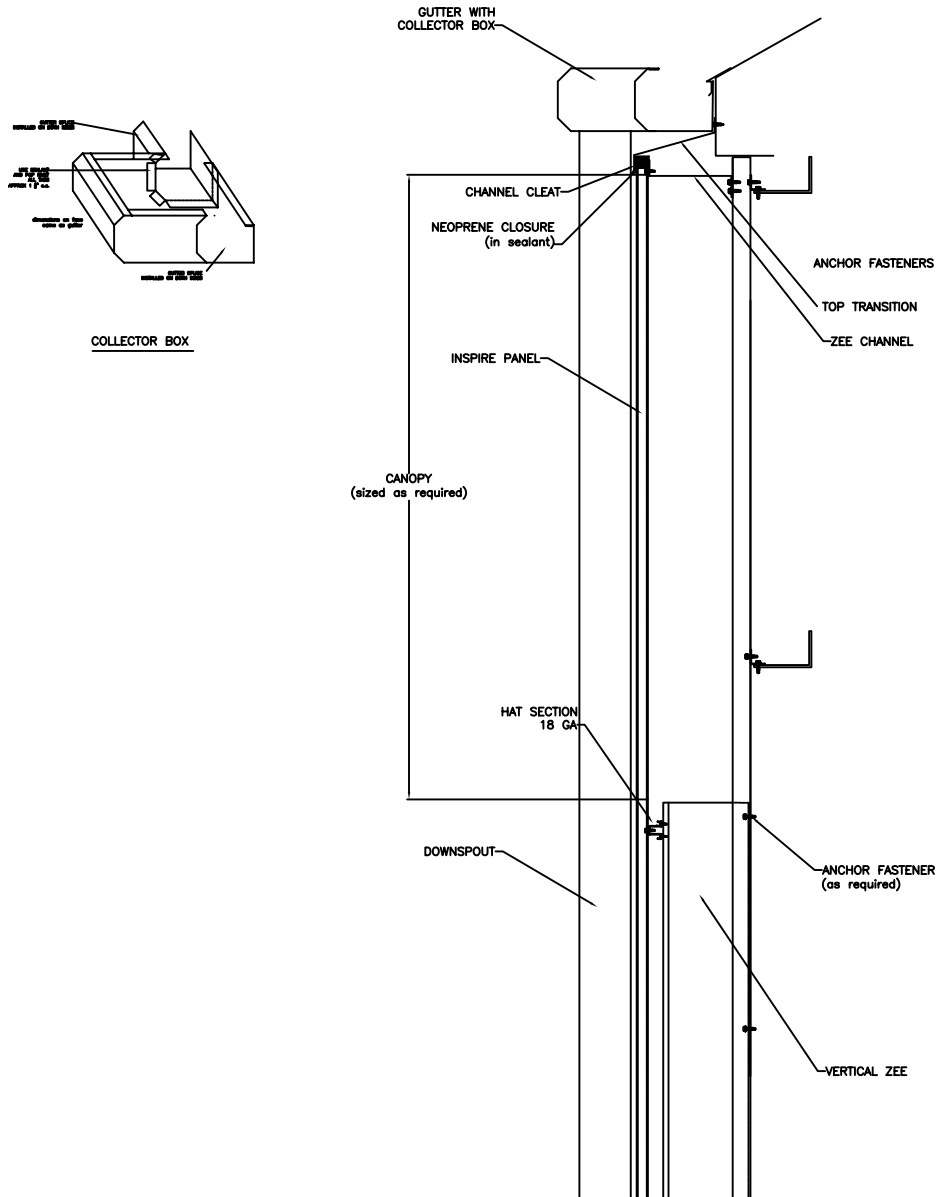
		ATAS INTERNATIONAL, INC. Allentown PA 610-395-8445 Mesa AZ 480-558-7210							
		<b>TITLE      INSPIRE SYSTEM LAYOUT</b>							
Rev. No.	Revision Date	Drawn By	Description of Revision		DWG NO. / FILE NO.	INSPIRE SYSTEM LAYOUT		SCALE	X:Y
0	2-3-09	DAS	Typical Inspire system layout		DRAWN BY    DAS	DATE    2-3-09	APPR. BY    JEB	DATE	2-3-09



ATAS INTERNATIONAL, INC.  
 Allentown PA  
 610-395-8445  
 Mesa AZ  
 480-558-7210

TITLE **INSPIRE TOP DETAIL coping**

Rev. No.	Revision Date	Drawn By	Description of Revision	DWG NO. / FILE NO.	INSPIRE TOP DETAIL - coping		SCALE	X:Y			
0	2-3-09	DAS	Typical Inspire system top detail - coping	DRAWN BY	DAS	DATE	2-3-09	APPR. BY	JEB	DATE	2-3-09



ATAS INTERNATIONAL, INC.  
 Allentown PA  
 610-395-8445  
 Mesa AZ  
 480-558-7210

TITLE **INSPIRE TOP DETAIL - gutter/downspout**

Rev. No.	Revision Date	Drawn By	Description of Revision	DWG NO. / FILE NO.	INSPIRE TOP DETAIL - gutter/downspout	SCALE	X:Y				
0	2-3-09	DAS	Typical Inspire system top detail - under gutter w/downspout	DRAWN BY	DAS	DATE	2-3-09	APPR. BY	JEB	DATE	2-3-09