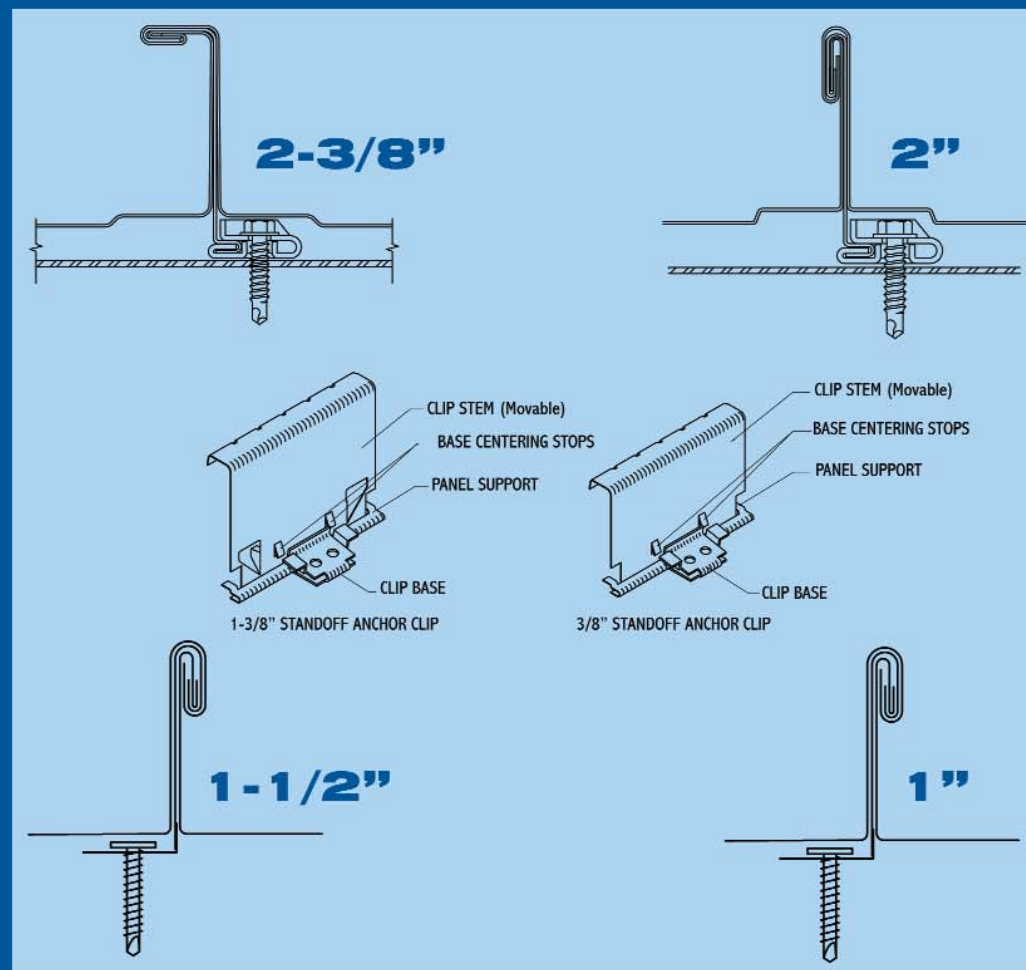


- BLACK (02)
- CLASSIC BRONZE (01)
- MEDIUM BRONZE (03)
- CHOCOLATE BROWN (04)
- BOYSENBERRY (25)
- REDWOOD (07)
- BRITE RED (17)
- MISSION RED (08)
- RAWHIDE (15)
- CONCORD CREAM (05)
- SIERRA TAN (09)
- SANDSTONE (06)
- BONE WHITE (26)
- ASCOT WHITE (10)
- DOVE GREY (13)
- SLATE GREY (20)
- ROCKY GREY (16)
- SLATE BLUE (21)
- SIAM BLUE (14)
- REGAL BLUE (18)
- TEAL (19)
- MINT GREEN (22)
- HEMLOCK GREEN (30)
- PATINA GREEN (12)
- FOREST GREEN (11)
- HARTFORD GREEN (27)
- COPPERTONE (23)
- SILVERSMITH (28)
- ANTIQUÉ PATINA (24)
- CHAMPAGNE (31)
- 55% Al-Zn COATED STEEL WITH ACRYLIC COATING (97)



FIELD-LOK™

Field Seamed Standing Seam Panels



ATAS International, Inc.

Allentown, PA ~ Mesa, AZ ~ Maryville, TN
www.atas.com ~ 1.800.468.1441 ~ info@atas.com

Field-Lok is a trademark of ATAS International, Inc.
 KYNAR 500® is a registered trademark of Atofina Chemicals, Inc.
 HYLAR 5000® is a registered trademark of Ausimont.



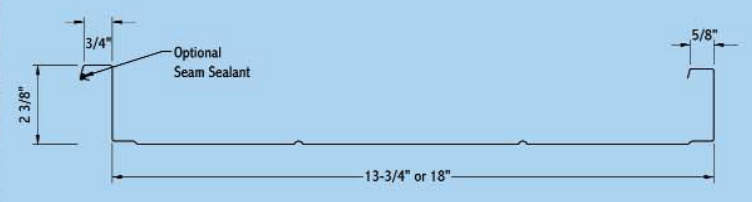
LAT180

Because of its strength, watertightness, and aesthetics, FIELD-LOK meets the new stringent building codes and specifications and is suitable for a wide range of climatic conditions.

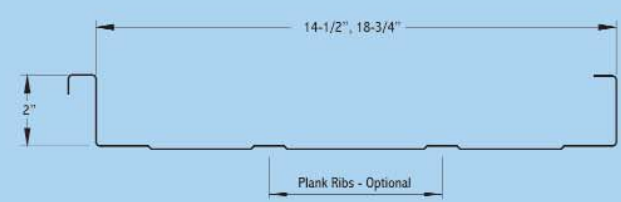


2-3/8" Field-Lok™

The 2-3/8" Field-Lok panel features a Triple-Lok design that has been proven to outperform all roof systems in testing for wind uplift resistance. It incorporates a "hooked in" standing seam with a double folded design to resist seam failure between supports and inhibit sidelap, unfurling, unzipping and adds structural integrity to the roof system. Installed with "floating" clips, Field-Lok accommodates for expansion and contraction of the roof system. The adjacent panel conceals the fasteners and clips. The extra high locked standing seam adds structural integrity to the roof system.



- SKU: FLS137, FLS180
- Gauge: .032, .040 Aluminum, 24, 22* ga. G90 galvanized Steel, 24*, 22* ga. 55% Al-Zn alloy coated Steel
*subject to minimum quantities and lead time
- Panel Width: 13-3/4", 18"
- Panel Length: Cut to customer specifications with a min. of 4'-0", max. to transportation limitations
- Seam Height: 2 3/8"
- Texture: Smooth
- Finish: KYNAR 500® or HYLAR 5000®
- Colors: Choice of 30 standard colors.
- Accessories: Same gauge and finish as the panel or as specified.
- Minimum Pitch: 1/2:12
Optional Sealant is available for all panels. Available with or without straition ribs or pencil ribs.



- SKU: FLN145, FLN187
- Gauge: .032 Aluminum, 24, 22* ga. G90 galvanized Steel, 24* ga. 55% Al-Zn alloy coated Steel
*subject to minimum quantities and lead time
- Panel Width: 14-1/2", 18-3/4"
- Panel Length: Cut to customer specifications with a min. of 4'-0", max. to transportation limitations
- Seam Height: 2"
- Texture: Smooth
- Finish: KYNAR 500® or HYLAR 5000®
- Colors: Choice of 30 standard colors.
- Accessories: Same gauge and finish as the panel or as specified.
- Minimum Pitch: 1/2:12
Optional Sealant is available for all panels. Available with or without plank ribs.



2" Field-Lok™

The FLN series is a mechanical field seamed panel system. The double locked structural panel can meet the most severe load requirements. For aesthetic reasons or personal preference, the panel can be seamed with a single fold displaying a broader seam. The single fold meets the needs for a structural panel, while providing the practicality of a weathertight roof. The panel system is installed with a sliding clip.

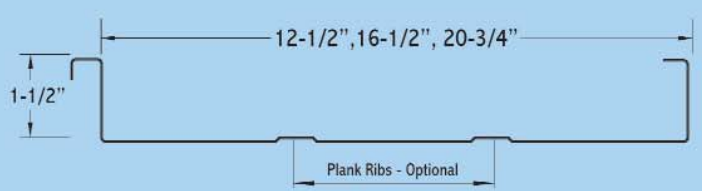
FIELD-LOK™ Field Seamed Standing Seam Panels

Installed with a sliding clip, the 1 1/2" Field Lok panel is a non-structural double locked roof panel. The FLM series is mechanically seamed in the field and to provide the traditional appearance of standing seam. Plank ribs are optional. The FLM series may also be curved, but plank ribs are not available when the panels are curved. The minimum radius for steel is 28'; for Aluminum, 16'.

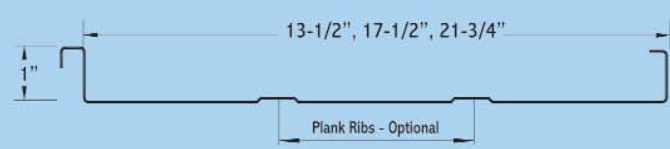
1-1/2" Field-Lok™



- SKU: FLM125, FLM165, FLM207
- Gauge: .032 Aluminum, 24 ga. G90 galvanized Steel, 24* ga. 55% Al-Zn alloy coated Steel
*subject to minimum quantities and lead time
- Panel Width: 12-1/2", 16-1/2", 20-3/4"
- Panel Length: Cut to customer specifications with a min. of 4'-0", max. to transportation limitations
- Seam Height: 1 1/2"
- Texture: Smooth
- Finish: KYNAR 500® or HYLAR 5000®
- Colors: Choice of 30 standard colors.
- Accessories: Same gauge and finish as the panel or as specified.
- Minimum Pitch: 2:12
Optional Sealant is available for all panels. Available with or without plank ribs.



- SKU: FLL135, FLL175, FLL217
- Gauge: .032 Aluminum, 24 ga. G90 Galvanized Steel, 24* ga. 55% Al-Zn alloy coated Steel
*subject to minimum quantities and lead time
- Panel Width: 13-1/2", 17-1/2", 21-3/4"
- Panel Length: Cut to customer specifications with a min. of 4'-0", max. to transportation limitations
- Seam Height: 1"
- Texture: Smooth
- Finish: KYNAR 500® or HYLAR 5000®
- Colors: Choice of 30 standard colors.
- Accessories: Same gauge and finish as the panel or as specified.
- Minimum Pitch: 2:12
Optional Sealant is available for all panels. Available with or without plank ribs.



With a 1" high seam FLL is a non-structural double-locked roof panel. FLL panel has obtained the metal roofing industry's highest ratings in accordance with; U.L 580 class 90 in U.L. construction report #516 U.L. Fire resistance ratings. It can be curved (FLX) for special accents, or over entrances and walkways. The minimum radius for steel is 28'; for Aluminum, 16'. The panel system is installed with a sliding clip.

1" Field-Lok™

