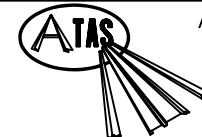
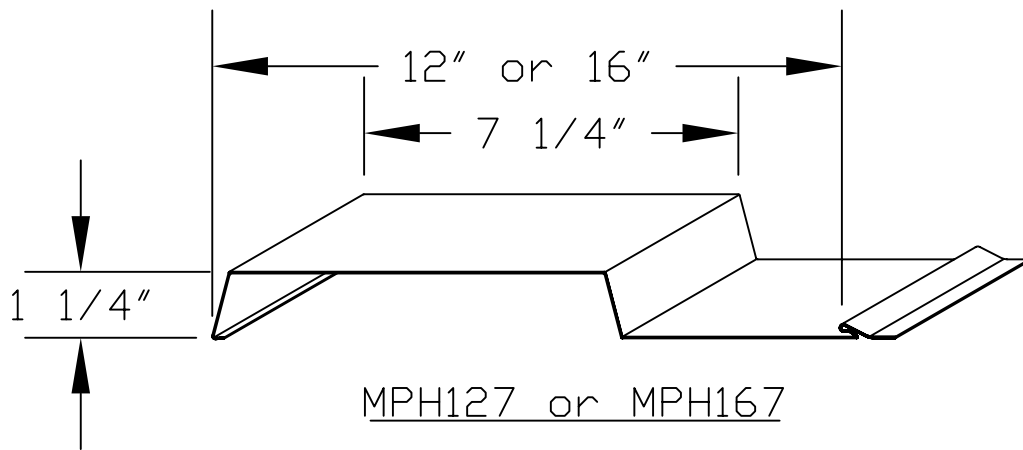


ATAS INTERNATIONAL, INC.
 Allentown PA
 610-395-8445
 Mesa AZ
 480-558-7210

TITLE		MPH080, MPH125, or MPH165					
DWG NO. / FILE NO.		MPH080, MPH125, or MPH165				SCALE	1"=1"
DRAWN BY	DAS	DATE	3-6-06	APPR. BY	JEB	DATE	6-1-06
REVISION NO.	XXXX	REVISION DATE	MM/DD/YY	APPR. BY	XXXX	APPR. DATE	MM/DD/YY

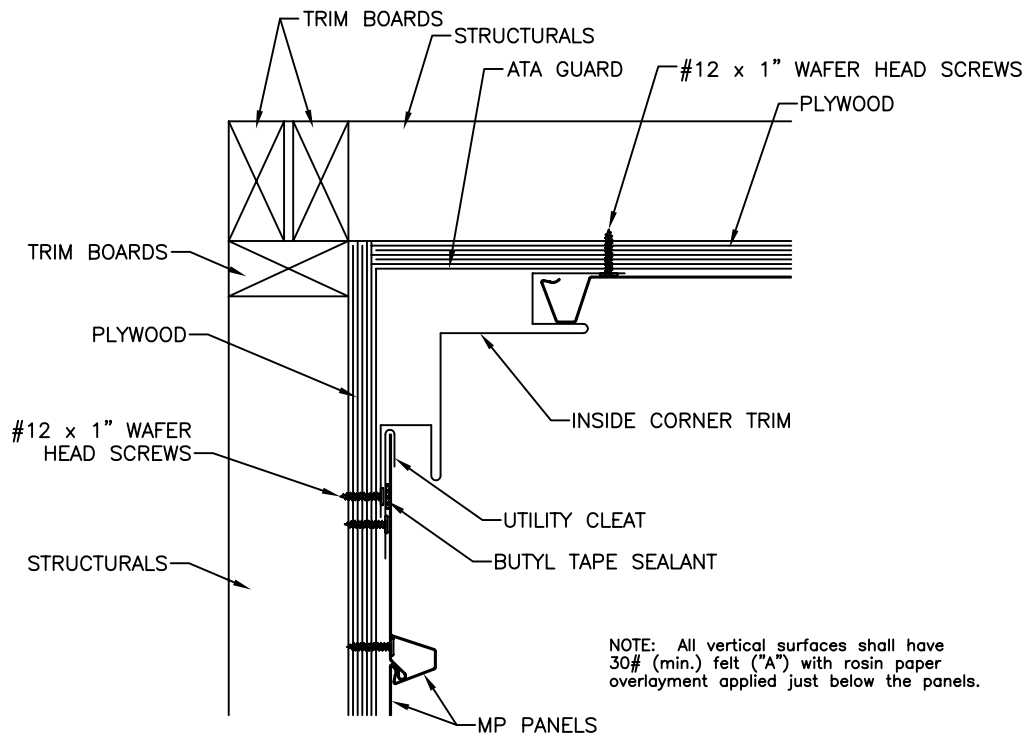
Rev. No.	Revision Date	Drawn By	Description of Revision
0	6-1-06	DAS	MPH080, MPH125, or MPH165



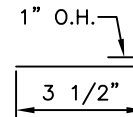
ATAS INTERNATIONAL, INC.
 Allentown PA
 610-395-8445
 Mesa AZ
 480-558-7210

TITLE		MPH127 or MPH167					
DWG NO. / FILE NO.		MPH127 or MPH167				SCALE	3"=1'-0"
DRAWN BY	DAS	DATE	3-6-06	APPR. BY	JEB	DATE	6-1-06
REVISION NO.	XXXX	REVISION DATE	MM/DD/YY	APPR. BY	XXXX	APPR. DATE	MM/DD/YY

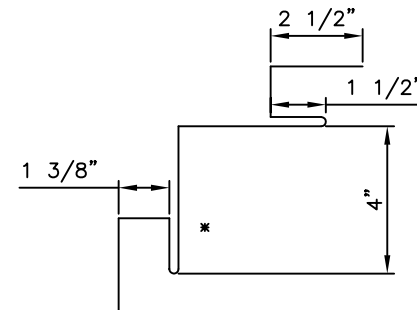
Rev. No.	Revision Date	Drawn By	Description of Revision
0	6-1-06	DAS	MPH127 or MPH167



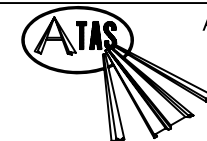
NOTE: All vertical surfaces shall have 30# (min.) felt ("A") with rosin paper overlayment applied just below the panels.



MPA962 UTILITY CLEAT



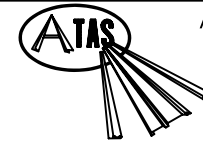
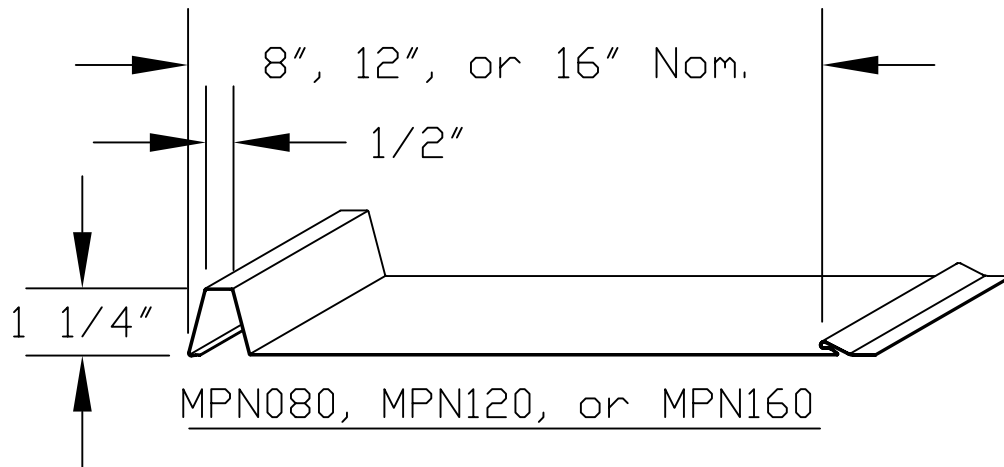
MPA600 INSIDE CORNER TRIM



ATAS INTERNATIONAL, INC.
 Allentown PA
 610-395-8445
 Mesa AZ
 480-558-7210

TITLE		Multi - Inside Corner - ply					
DWG NO. / FILE NO.		Multi - Inside Corner - ply				SCALE	3"=1'-0"
DRAWN BY	DAS	DATE	3-6-06	APPR. BY	JEB	DATE	6-1-06
REVISION NO.	XXXX	REVISION DATE	MM/DD/YY	APPR. BY	XXXX	APPR. DATE	MM/DD/YY

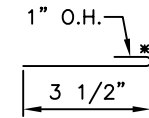
Rev. No.	Revision Date	Drawn By	Description of Revision
0	6-1-06	DAS	Multi - Inside Corner - ply



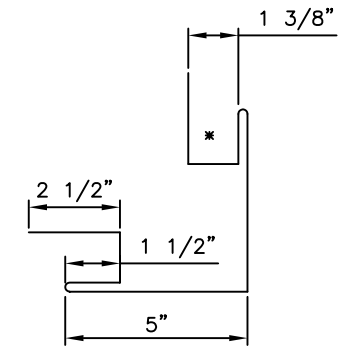
ATAS INTERNATIONAL, INC.
 Allentown PA
 610-395-8445
 Mesa AZ
 480-558-7210

TITLE		MPN080, MPN120, or MPN160					
DWG NO. / FILE NO.		MPN080, MPN120, or MPN160				SCALE	1"=1"
DRAWN BY	DAS	DATE	3-6-06	APPR. BY	JEB	DATE	6-1-06
REVISION NO.	XXXX	REVISION DATE	MM/DD/YY	APPR. BY	XXXX	APPR. DATE	MM/DD/YY

Rev. No.	Revision Date	Drawn By	Description of Revision
0	6-1-06	DAS	MPN080, MPN120, or MPN160

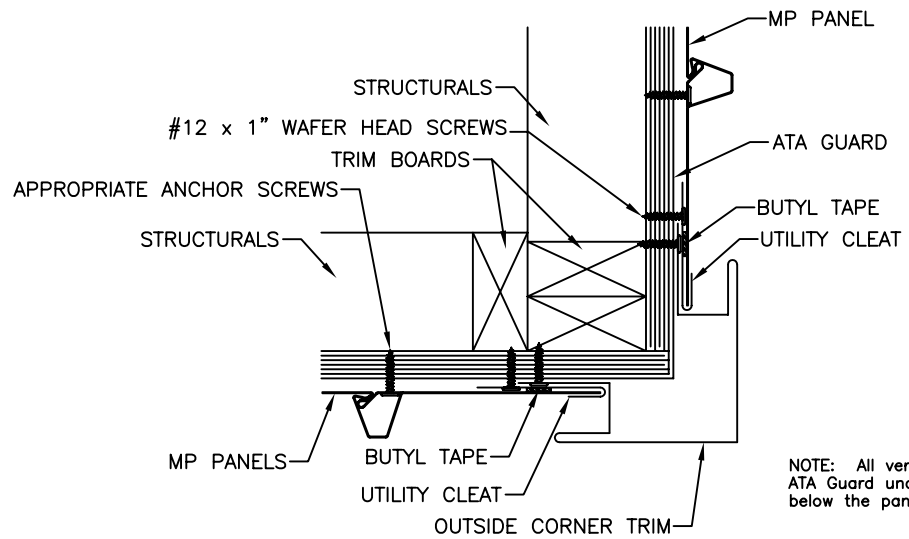


MPA962 UTILITY CLEAT

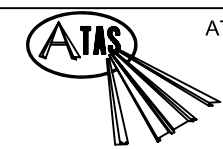


MDA610 OUTSIDE CORNER TRIM

Note: The 5" face dimension may vary to equal the hip cap as it meets the fascia. Customer must advise ATAS if desired.



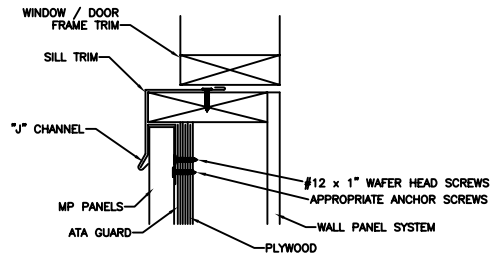
NOTE: All vertical surfaces shall have ATA Guard underlayment applied just below the panels.



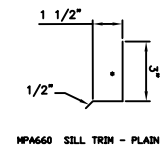
ATAS INTERNATIONAL, INC.
 Allentown PA
 610-395-8445
 Mesa AZ
 480-558-7210

TITLE								Multi Outside Corner - ply			
DWG NO. / FILE NO.		Multi Outside Corner - ply						SCALE		3"=1'-0"	
DRAWN BY	DAS	DATE	3-6-06	APPR. BY	JEB	DATE	6-1-06				
REVISION NO.	XXXX	REVISION DATE	MM/DD/YY	APPR. BY	XXXX	APPR. DATE	MM/DD/YY				

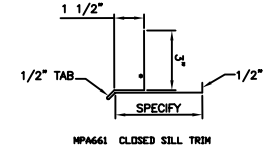
Rev. No.	Revision Date	Drawn By	Description of Revision
0	6-1-06	DAS	Multi Outside Corner - ply



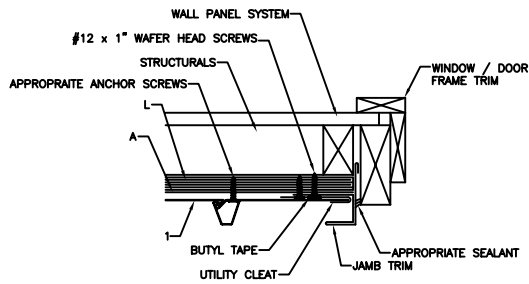
SILL DESIGNS - VARIES PER SITE/SPECIFICATION



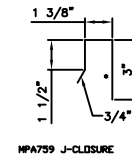
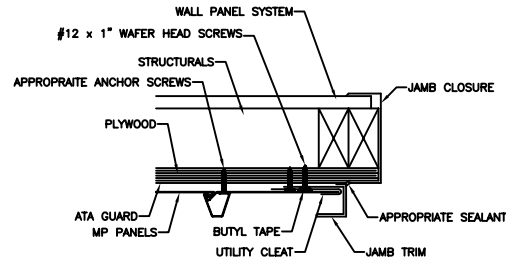
MPA660 SILL TRIM - PLAIN



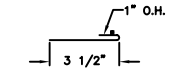
MPA661 CLOSED SILL TRIM



JAMB DESIGNS - VARIES PER SITE/SPECIFICATION

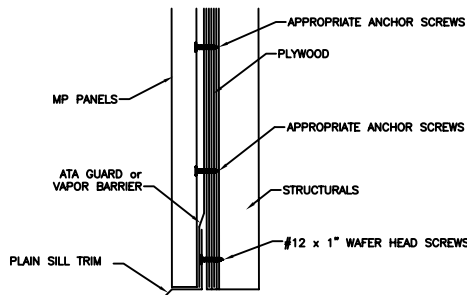


MPA759 J-CLOSURE

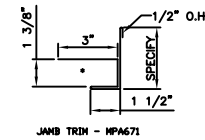
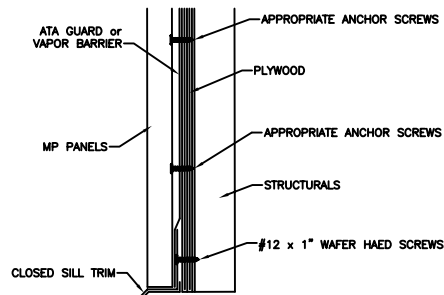


MPA962 UTILITY CLEAT

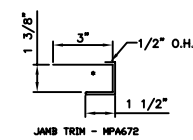
Leave 1" gap open to receive the panel edge.



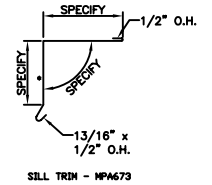
HEADER DESIGNS - VARIES PER SITE/SPECIFICATION



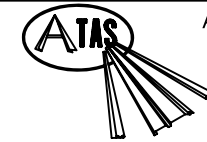
JAMB TRIM - MPA671



JAMB TRIM - MPA672



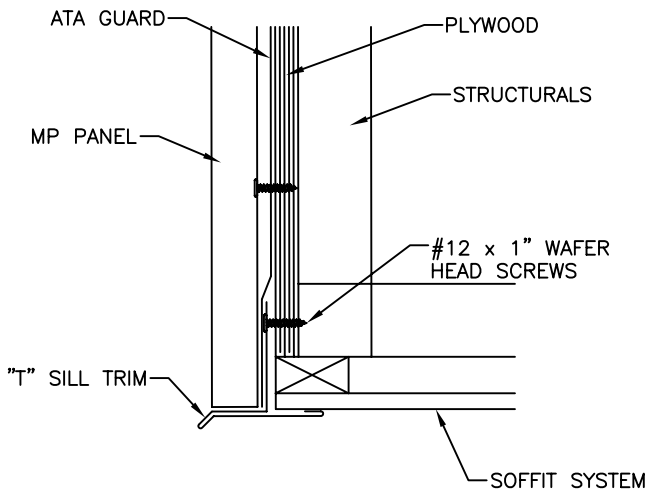
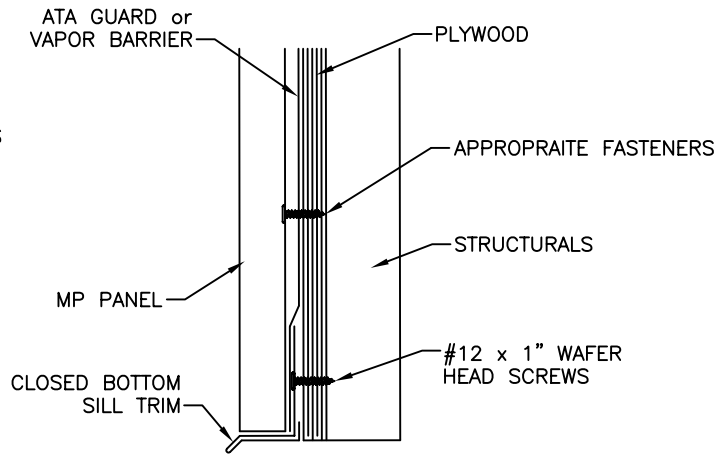
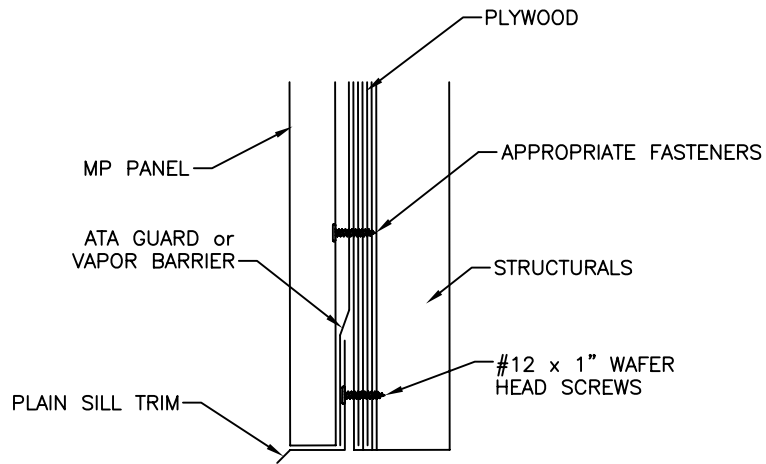
SILL TRIM - MPA673



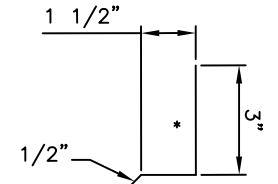
ATAS INTERNATIONAL, INC.
 Allentown PA
 610-395-8445
 Mesa AZ
 480-558-7210

TITLE		Multi - Sill Head Jamb - ply			
DWG NO. / FILE NO.	Multi - Sill Head Jamb - ply			SCALE	3"=1'-0"
DRAWN BY	DAS	DATE	3-6-06	APPR. BY	JEB
REVISION NO.	XXXX	REVISION DATE	MM/DD/YY	APPR. BY	XXXX
				DATE	6-1-06
				APPR. DATE	MM/DD/YY

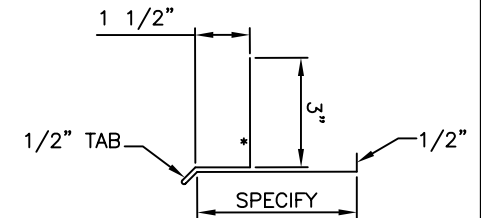
Rev. No.	Revision Date	Drawn By	Description of Revision
0	6-1-06	DAS	Multi - Sill Head Jamb - ply



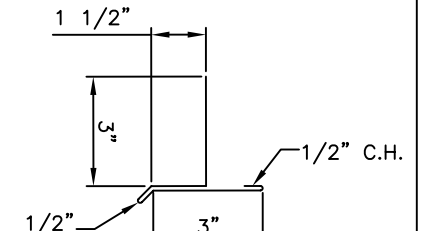
HEADER DESIGNS -- VARIES PER SITE/SPECIFICATION



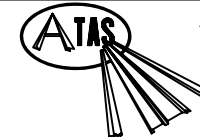
MPA660 SILL TRIM - PLAIN



MPA661 CLOSED SILL TRIM



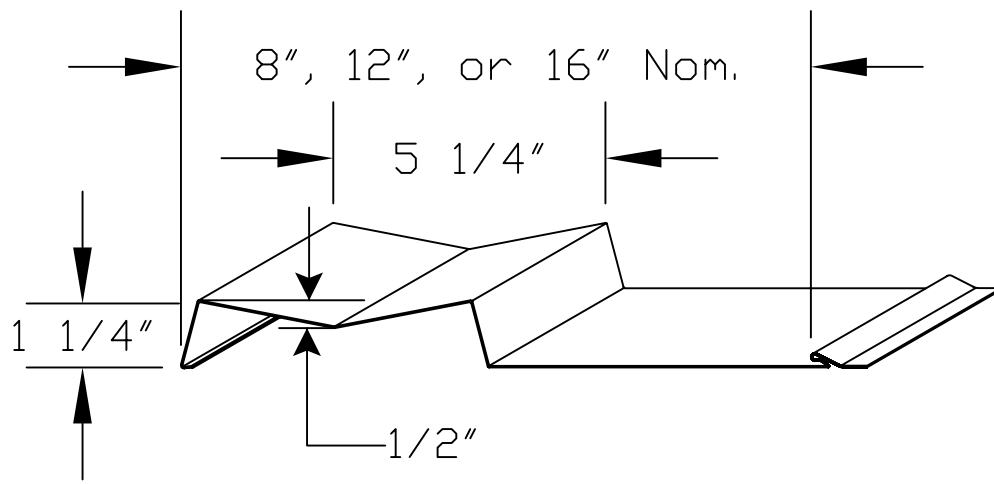
MPA662 'T' SILL TRIM



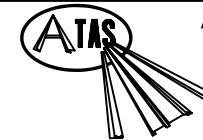
ATAS INTERNATIONAL, INC.
 Allentown PA
 610-395-8445
 Mesa AZ
 480-558-7210

TITLE								Multi Sill Trims Fascia - ply			
DWG NO. / FILE NO.		Multi Sill Trims Fascia - ply						SCALE		3"=1'-0"	
DRAWN BY	DAS	DATE	3-6-06	APPR. BY	JEB	DATE	6-1-06				
REVISION NO.	XXXX	REVISION DATE	MM/DD/YY	APPR. BY	XXXX	APPR. DATE	MM/DD/YY				

Rev. No.	Revision Date	Drawn By	Description of Revision
0	6-1-06	DAS	Multi Sill Trims Fascia - ply



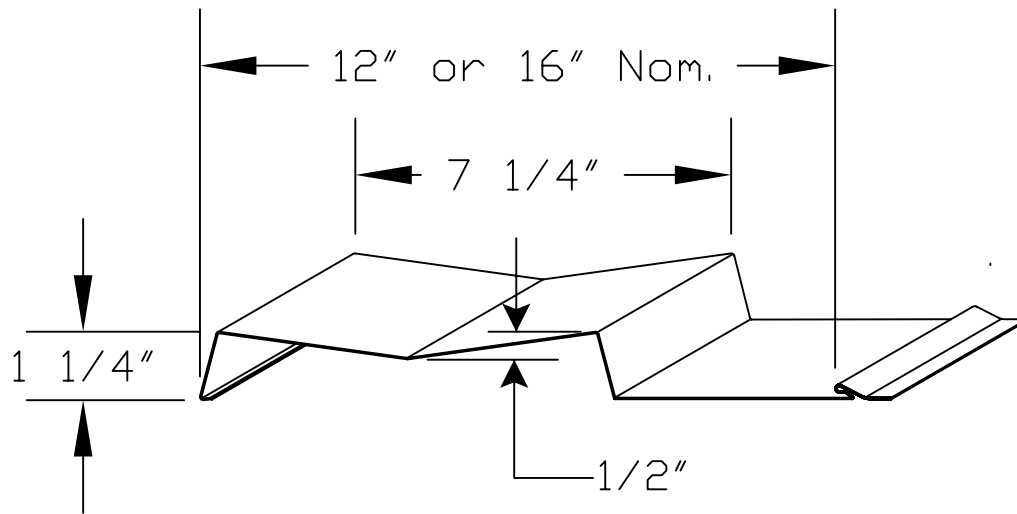
MPV080, MPV125, or MPV165



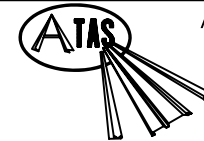
ATAS INTERNATIONAL, INC.
 Allentown PA
 610-395-8445
 Mesa AZ
 480-558-7210

TITLE		MPV080, MPV125, or MPV165					
DWG NO. / FILE NO.		MPV080, MPV125, or MPV165				SCALE	3"=1'-0"
DRAWN BY	DAS	DATE	3-6-06	APPR. BY	JEB	DATE	6-1-06
REVISION NO.	XXXX	REVISION DATE	MM/DD/YY	APPR. BY	XXXX	APPR. DATE	MM/DD/YY

Rev. No.	Revision Date	Drawn By	Description of Revision
0	6-1-06	DAS	MPV080, MPV125, or MPV165



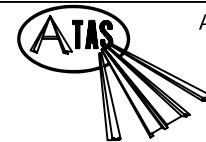
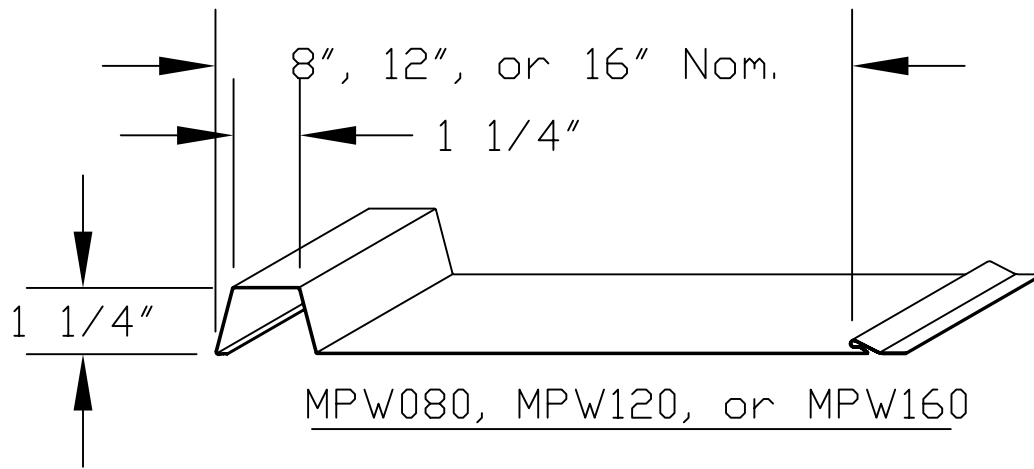
MPV127 or MPV167



ATAS INTERNATIONAL, INC.
 Allentown PA
 610-395-8445
 Mesa AZ
 480-558-7210

TITLE		MPV127 or MPV167					
DWG NO. / FILE NO.		MPV127 or MPV167				SCALE	3"=1'-0"
DRAWN BY	DAS	DATE	3-6-06	APPR. BY	JEB	DATE	6-1-06
REVISION NO.	XXXX	REVISION DATE	MM/DD/YY	APPR. BY	XXXX	APPR. DATE	MM/DD/YY

Rev. No.	Revision Date	Drawn By	Description of Revision
0	6-1-06	DAS	MPV127 or MPV167



ATAS INTERNATIONAL, INC.
 Allentown PA
 610-395-8445
 Mesa AZ
 480-558-7210

TITLE		MPW080, MPW120, or MPW 160					
DWG NO. / FILE NO.		MPW080, MPW120, or MPW 160				SCALE	1"=1"
DRAWN BY	DAS	DATE	3-6-06	APPR. BY	JEB	DATE	6-1-06
REVISION NO.	XXXX	REVISION DATE	MM/DD/YY	APPR. BY	XXXX	APPR. DATE	MM/DD/YY

Rev. No.	Revision Date	Drawn By	Description of Revision
0	6-1-06	DAS	MPW080, MPW120, or MPW 160