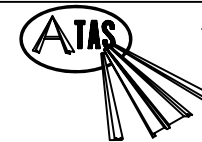
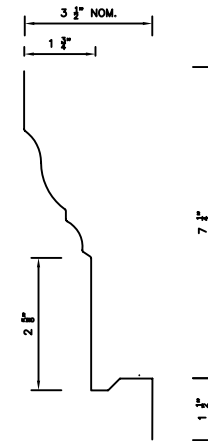
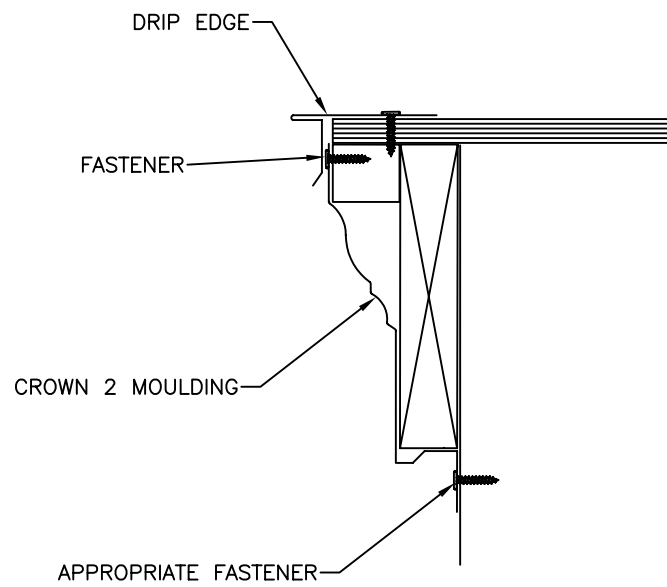


ATAS INTERNATIONAL, INC.
 Allentown PA
 610-395-8445
 Mesa AZ
 480-558-7210

TITLE		MAA900 CROWN 9					
DWG NO. / FILE NO.		CROWN09				SCALE	1"=1"
DRAWN BY	LDS	DATE	1-20-08	APPR. BY	DAS	DATE	1-20-08
REVISION NO.	XXXX	REVISION DATE	MM/DD/YY	APPR. BY	XXXX	APPR. DATE	MM/DD/YY

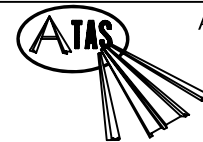
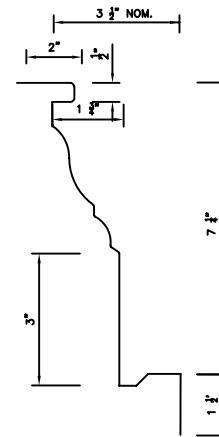
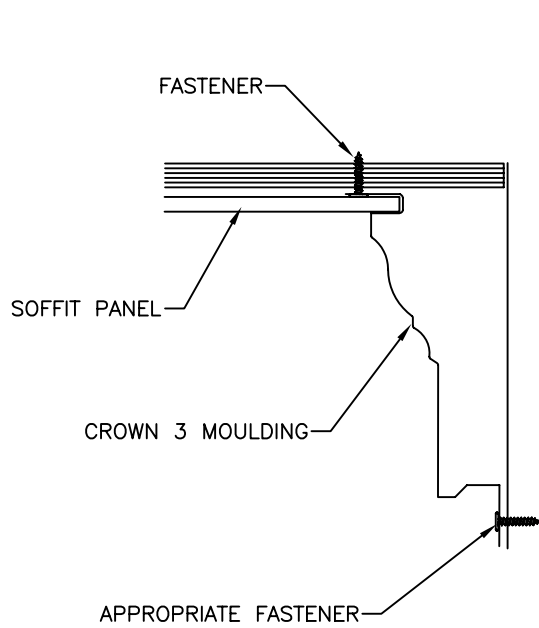
Rev. No.	Revision Date	Drawn By	Description of Revision
0	1-20-08	LDS	CROWN 9 - MAA900



ATAS INTERNATIONAL, INC.
 Allentown PA
 610-395-8445
 Mesa AZ
 480-558-7210

TITLE		MAA200 CROWN 2					
DWG NO. / FILE NO.		CROWN02				SCALE	1"=1"
DRAWN BY	LDS	DATE	1-20-08	APPR. BY	DAS	DATE	1-20-08
REVISION NO.	XXXX	REVISION DATE	MM/DD/YY	APPR. BY	XXXX	APPR. DATE	MM/DD/YY

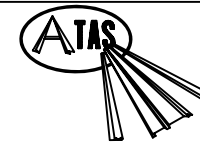
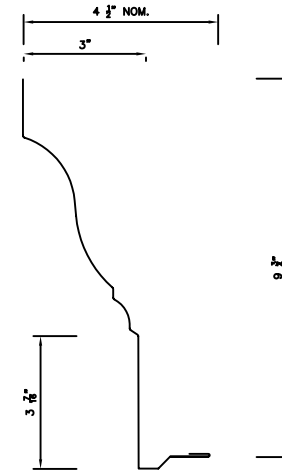
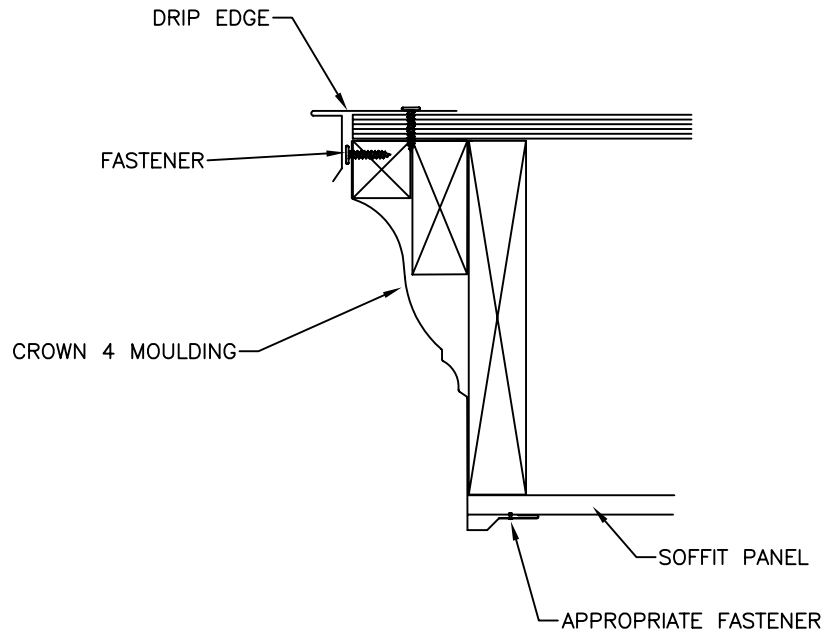
Rev. No.	Revision Date	Drawn By	Description of Revision
0	1-20-08	LDS	CROWN 2 - MAA200



ATAS INTERNATIONAL, INC.
 Allentown PA
 610-395-8445
 Mesa AZ
 480-558-7210

TITLE		MAA300 CROWN 3					
DWG NO. / FILE NO.		CROWN03				SCALE	1"=1"
DRAWN BY	LDS	DATE	1-20-08	APPR. BY	DAS	DATE	1-20-08
REVISION NO.	XXXX	REVISION DATE	MM/DD/YY	APPR. BY	XXXX	APPR. DATE	MM/DD/YY

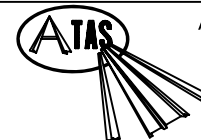
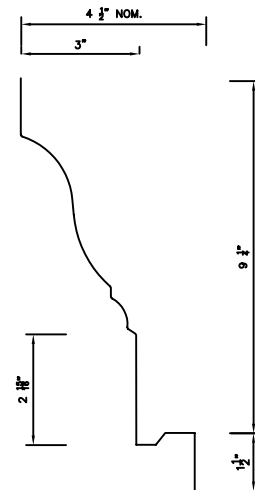
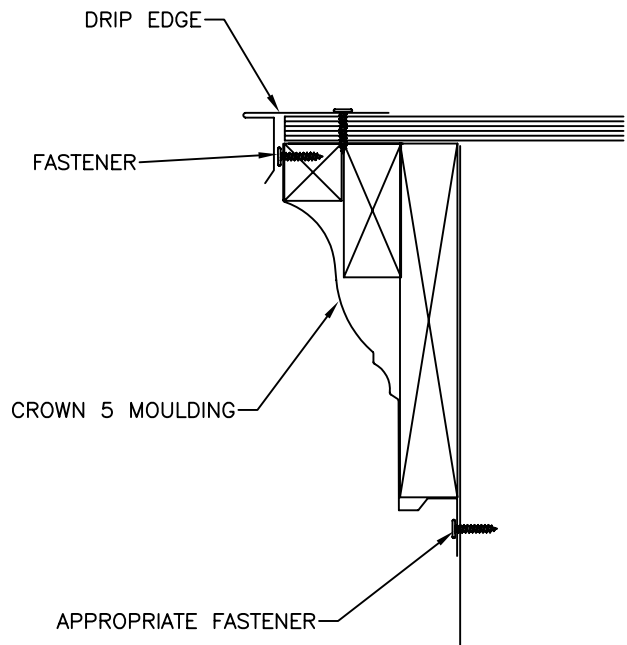
Rev. No.	Revision Date	Drawn By	Description of Revision
0	1-20-08	LDS	CROWN 3 - MAA300



ATAS INTERNATIONAL, INC.
 Allentown PA
 610-395-8445
 Mesa AZ
 480-558-7210

TITLE		MAA400 CROWN 4					
DWG NO. / FILE NO.		CROWN04				SCALE	1"=1"
DRAWN BY	LDS	DATE	1-20-08	APPR. BY	DAS	DATE	1-20-08
REVISION NO.	XXXX	REVISION DATE	MM/DD/YY	APPR. BY	XXXX	APPR. DATE	MM/DD/YY

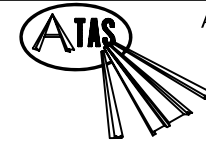
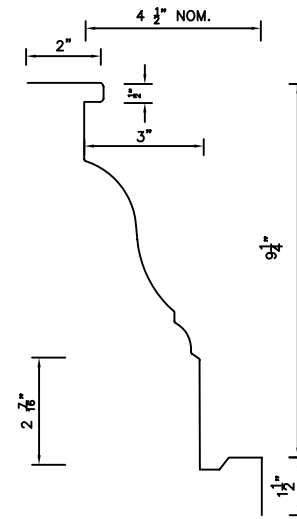
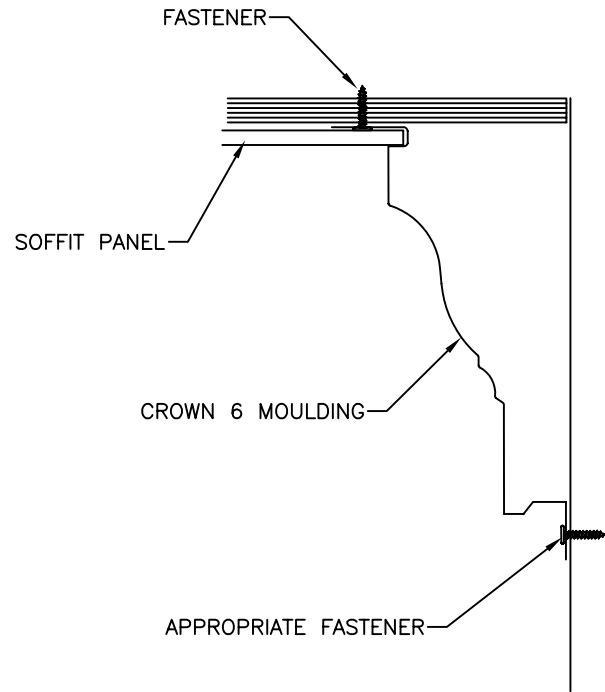
Rev. No.	Revision Date	Drawn By	Description of Revision
0	1-20-08	LDS	CROWN 4 - MAA400



ATAS INTERNATIONAL, INC.
 Allentown PA
 610-395-8445
 Mesa AZ
 480-558-7210

TITLE		MAA500 CROWN 5					
DWG NO. / FILE NO.		CROWN05				SCALE	1"=1"
DRAWN BY	LDS	DATE	1-20-08	APPR. BY	DAS	DATE	1-20-08
REVISION NO.	XXXX	REVISION DATE	MM/DD/YY	APPR. BY	XXXX	APPR. DATE	MM/DD/YY

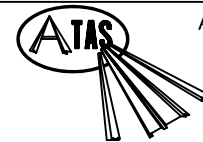
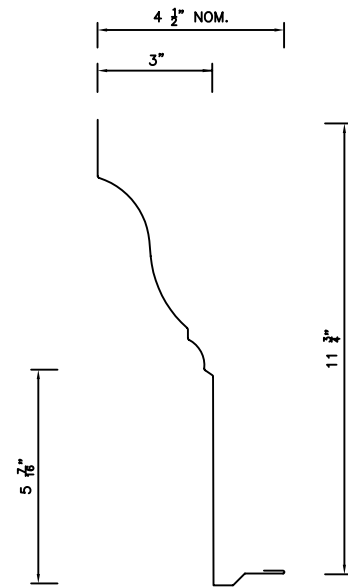
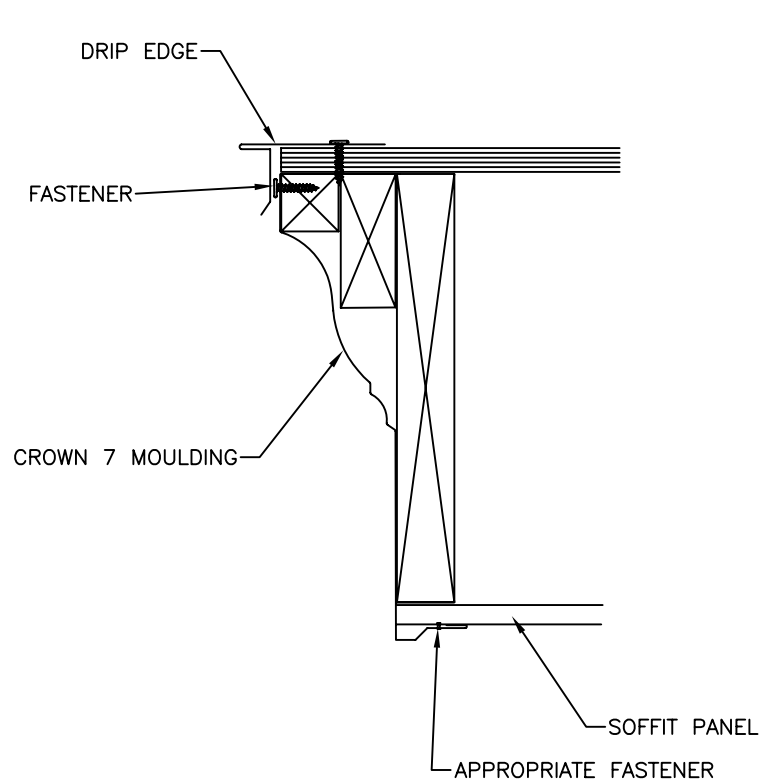
Rev. No.	Revision Date	Drawn By	Description of Revision
0	1-20-08	LDS	CROWN 5 - MAA500



ATAS INTERNATIONAL, INC.
 Allentown PA
 610-395-8445
 Mesa AZ
 480-558-7210

TITLE		MAA600 CROWN 6					
DWG NO. / FILE NO.		CROWN06				SCALE	1"=1"
DRAWN BY	LDS	DATE	1-20-08	APPR. BY	DAS	DATE	1-20-08
REVISION NO.	XXXX	REVISION DATE	MM/DD/YY	APPR. BY	XXXX	APPR. DATE	MM/DD/YY

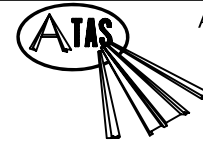
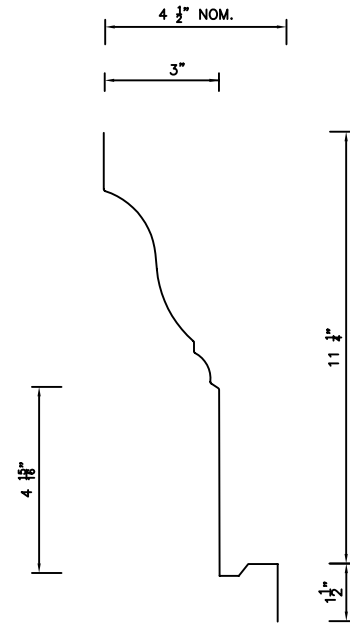
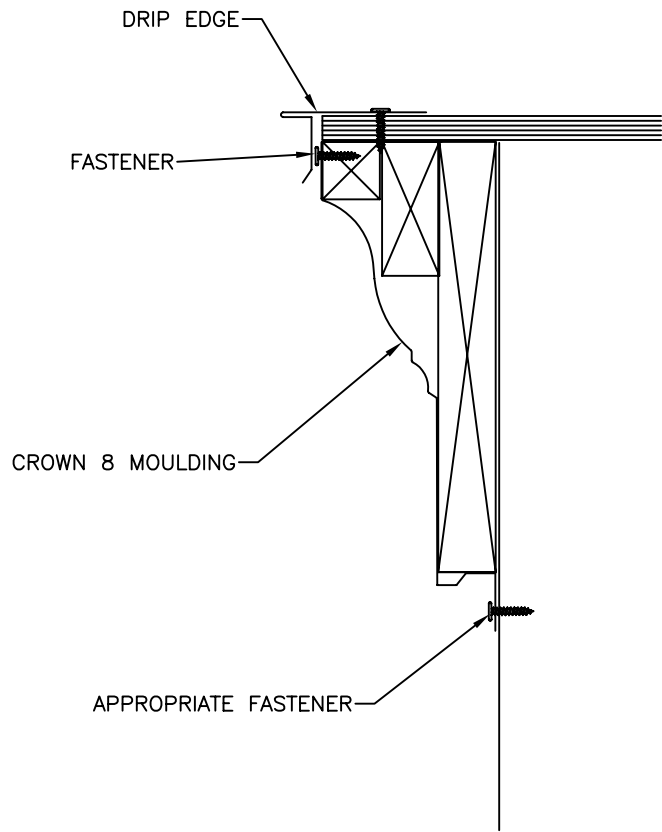
Rev. No.	Revision Date	Drawn By	Description of Revision
0	1-20-08	LDS	CROWN 6 - MAA600



ATAS INTERNATIONAL, INC.
 Allentown PA
 610-395-8445
 Mesa AZ
 480-558-7210

TITLE		MAA700 CROWN 7					
DWG NO. / FILE NO.		CROWN07				SCALE	1"=1"
DRAWN BY	LDS	DATE	1-20-08	APPR. BY	DAS	DATE	1-20-08
REVISION NO.	XXXX	REVISION DATE	MM/DD/YY	APPR. BY	XXXX	APPR. DATE	MM/DD/YY

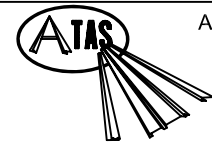
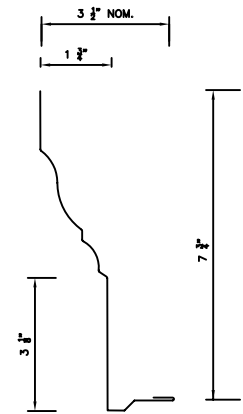
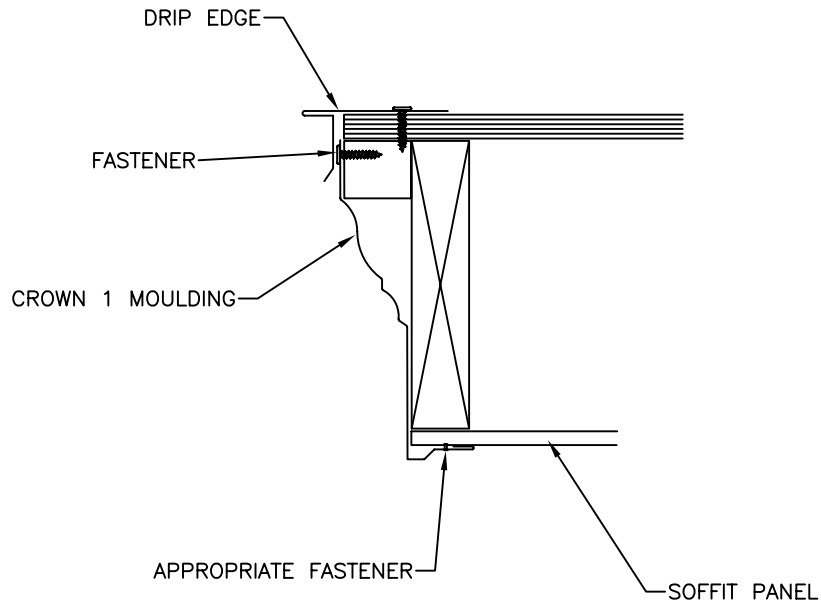
Rev. No.	Revision Date	Drawn By	Description of Revision
0	1-20-08	LDS	CROWN 7 - MAA700



ATAS INTERNATIONAL, INC.
 Allentown PA
 610-395-8445
 Mesa AZ
 480-558-7210

TITLE		MAA800 CROWN 8					
DWG NO. / FILE NO.		CROWN08				SCALE	1"=1"
DRAWN BY	LDS	DATE	1-20-08	APPR. BY	DAS	DATE	1-20-08
REVISION NO.	XXXX	REVISION DATE	MM/DD/YY	APPR. BY	XXXX	APPR. DATE	MM/DD/YY

Rev. No.	Revision Date	Drawn By	Description of Revision
0	1-20-08	LDS	CROWN 8 - MAA800



ATAS INTERNATIONAL, INC.
 Allentown PA
 610-395-8445
 Mesa AZ
 480-558-7210

TITLE		MAA100 CROWN 1					
DWG NO. / FILE NO.		CROWN01				SCALE	1"=1"
DRAWN BY	LDS	DATE	1-20-08	APPR. BY	DAS	DATE	1-20-08
REVISION NO.	XXXX	REVISION DATE	MM/DD/YY	APPR. BY	XXXX	APPR. DATE	MM/DD/YY

Rev. No.	Revision Date	Drawn By	Description of Revision
0	1-20-08	LDS	CROWN 1 - MAA100