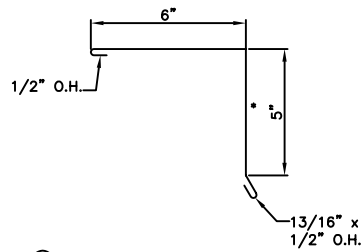
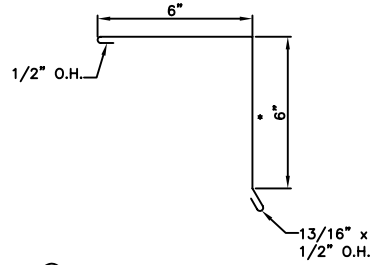


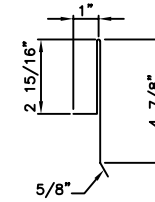
8 - FLA212 GABLE "Z" CLOSURE



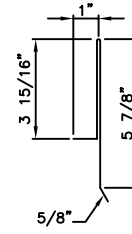
9 - FLA210 GABLE/RAKE TRIM - USE W/FLS038



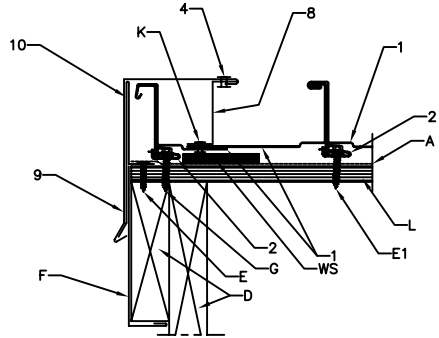
9 - FLA213 GABLE/RAKE TRIM - USE W/FLS138



10 - FLA211 GABLE/RAKE STARTER CLEAT - USE W/FLC038



10 - FLA214 GABLE/RAKE STARTER CLEAT - USE W/FLC138



Field Lock  
Ending Gable Detail  
Scale: 3" = 1'-0"

Legend

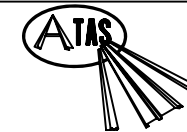
As Supplied By ATAS:

- 1 - ATAS FLS Panel
- 2 - Anchor Clips
- 4 - Painted Pop Rivets
- 8 - Standard "Z" Closure
- 9 - Gable/ Rake Closure Trim
- 10 - Gable/ Rake Starter Cleat

As Supplied By Others:

- A - 30# (Minimum) Felt with Rosin Paper
- A1 - 40 MIL Ice & Water Shield
- B - Top of Roof Deck or Insulation
- C - Structural
- D - Trim Boards
- E - #12 x 1" Washer Head Screws
- E1 - #12 x 1-1/4" Hex Head Screws
- F - Fascia Trim ( May be fabricated/supplied by ATAS upon request).
- G - Appropriate anchor screws sufficiently long enough to fully penetrate the solid substrate (Some types/styles available from ATAS.)
- K - Plain pop-rivets or short screws - Not to penetrate the substrate.
- L - Plywood
- U - Butyl Tape Sealant
- V - Eave Plate
- WS - Wood Shim 3/8" or 1-3/8"

\* - Indicates color side.



ATAS INTERNATIONAL, INC.  
Allentown PA  
610-395-8445  
Mesa AZ  
480-558-7210

TITLE		<b>FLS Starting Gable - ply</b>					
DWG NO. / FILE NO.		<b>FLS Starting Gable - ply</b>				SCALE	3"=1'-0"
DRAWN BY	DAS	DATE	3-6-06	APPR. BY	JEB	DATE	6-1-06
REVISION NO.	XXXX	REVISION DATE	MM/DD/YY	APPR. BY	XXXX	APPR. DATE	MM/DD/YY

Rev. No.	Revision Date	Drawn By	Description of Revision
0	6-1-06	DAS	<b>FLS Starting Gable - ply</b>