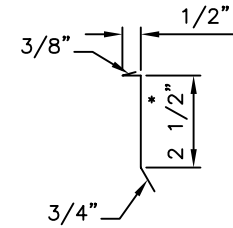


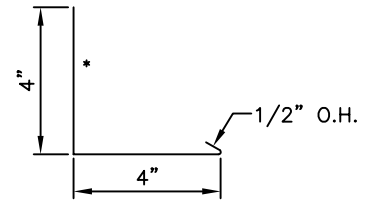
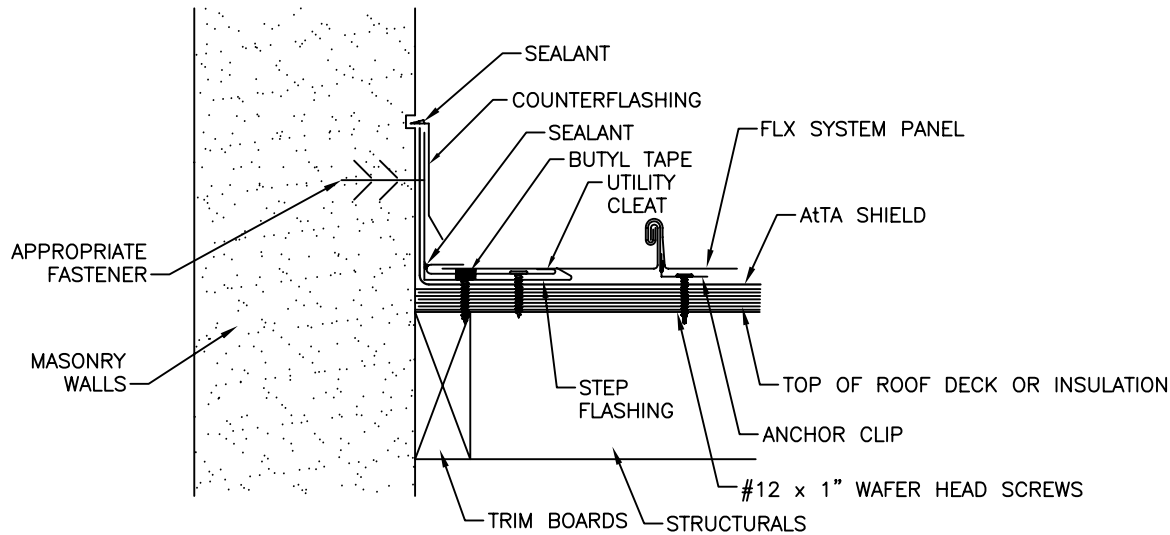
The utility cleat - part #40 - is bent in the field to suit the radii involved.

④① - FLA962 UTILITY CLEAT



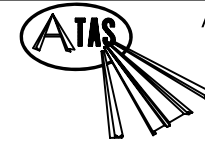
②② - FLA980 COUNTERFLASHING

Supplied in standard 12'-0" lengths - field cut to shorter lengths to suit curvature(s) involved.



④⑦ - FLA415 STEP FLASHING

Supplied in standard 12'-0" lengths - field cut to shorter lengths to suit curvature(s) involved.



ATAS INTERNATIONAL, INC.  
 Allentown PA  
 610-395-8445  
 Mesa AZ  
 480-558-7210

TITLE **FLX Curved Rake Sidewall**

DWG NO. / FILE NO. **FLX Curved Rake Sidewall** SCALE 3"=1'-0"

DRAWN BY DAS DATE 3-6-06 APPR. BY JEB DATE 5-31-06

REVISION NO. XXXX REVISION DATE MM/DD/YY APPR. BY XXXX APPR. DATE MM/DD/YY

Rev. No.	Revision Date	Drawn By	Description of Revision
0	5-31-06	DAS	<b>FLX Curved Rake Sidewall</b>