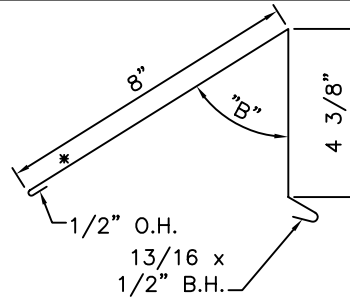
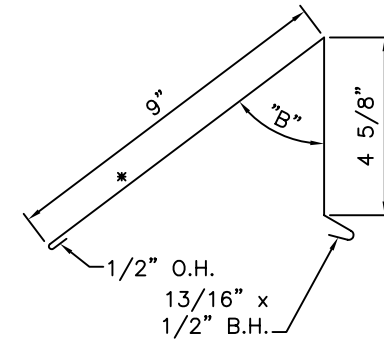


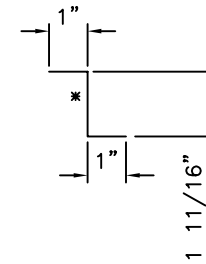
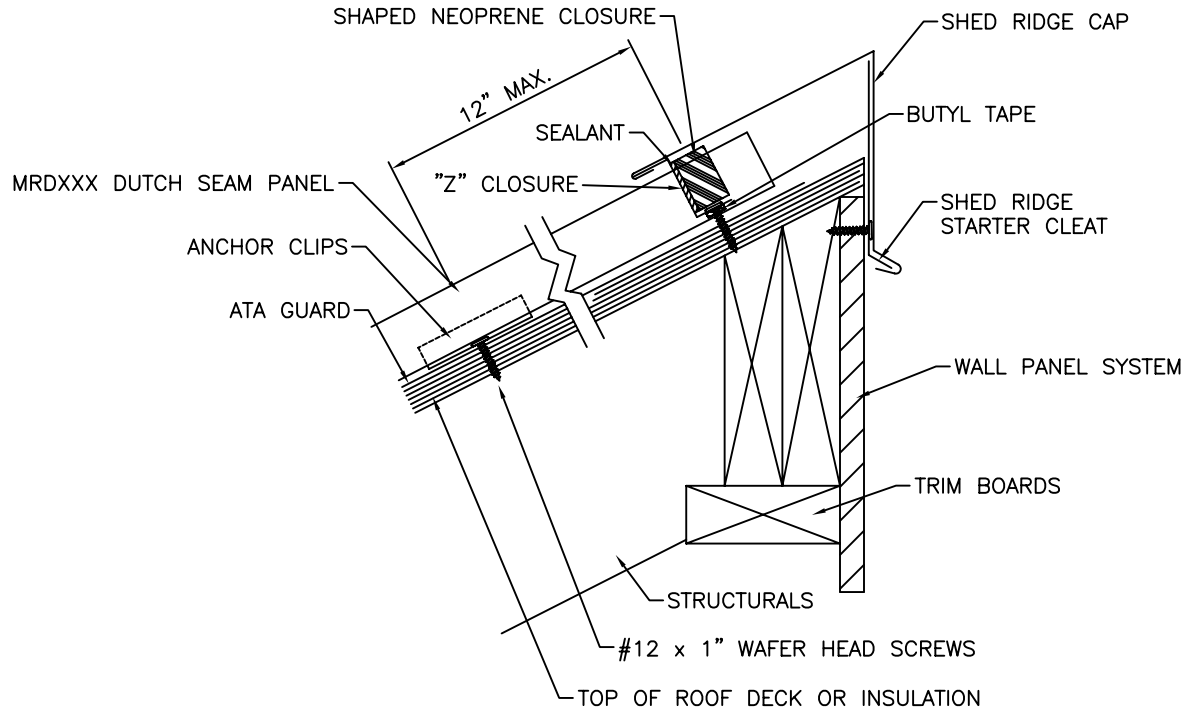
⑰ - SHED RIDGE  
 MDA342- Roof Slopes 3/12+ to 6/12  
 Ridge splice to match ridge cap @ 6' long each; MDA343



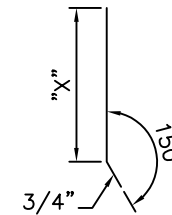
⑰ - SHED RIDGE  
 MDA344 - Roof Slopes 6/12+ to 9/12  
 Ridge splice to match ridge cap @ 6' long each; MDA345



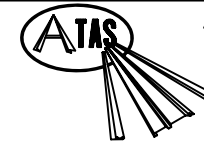
⑰ - SHED RIDGE  
 MDA346 - Roof Slopes 9/12+ to 12/12  
 Ridge splice to match ridge cap @ 6' long each; MDA347



⑧ - MDA910 'Z' CLOSURE



⑱ - MDA348 SHED RIDGE STARTER CLEAT  
 Note: This part furnished in either 24 ga. steel or .032 aluminum. No specific color.  
 Dimension 'X' is equal to the chosen #17's dimension 'C' minus 1/8'.



ATAS INTERNATIONAL, INC.  
 Allentown PA  
 610-395-8445  
 Mesa AZ  
 480-558-7210

TITLE		MRD Shed Ridge - Ply					
DWG NO. / FILE NO.		MRD Shed Ridge - Ply			SCALE	3"=1'-0"	
DRAWN BY	DAS	DATE	3-6-06	APPR. BY	JEB	DATE	5-31-06
REVISION NO.	XXXX	REVISION DATE	MM/DD/YY	APPR. BY	XXXX	APPR. DATE	MM/DD/YY

Rev. No.	Revision Date	Drawn By	Description of Revision
0	5-31-06	DAS	MRD Shed Ridge - Ply