

Embedded Fascia-Gravel Stop Style - Order/Specification Form

(FOR BUILT UP OR MODIFIED ROOFS)

ATAS International, Inc.

Allentown, PA ~ Mesa, AZ ~ Maryville, TN
 800.468.1441 ~ info@atas.com ~ www.atas.com
 Fax: Allentown-610.395.9342 ~ Mesa-480.558.7217

COMPANY NAME: _____ PROJECT NAME: _____

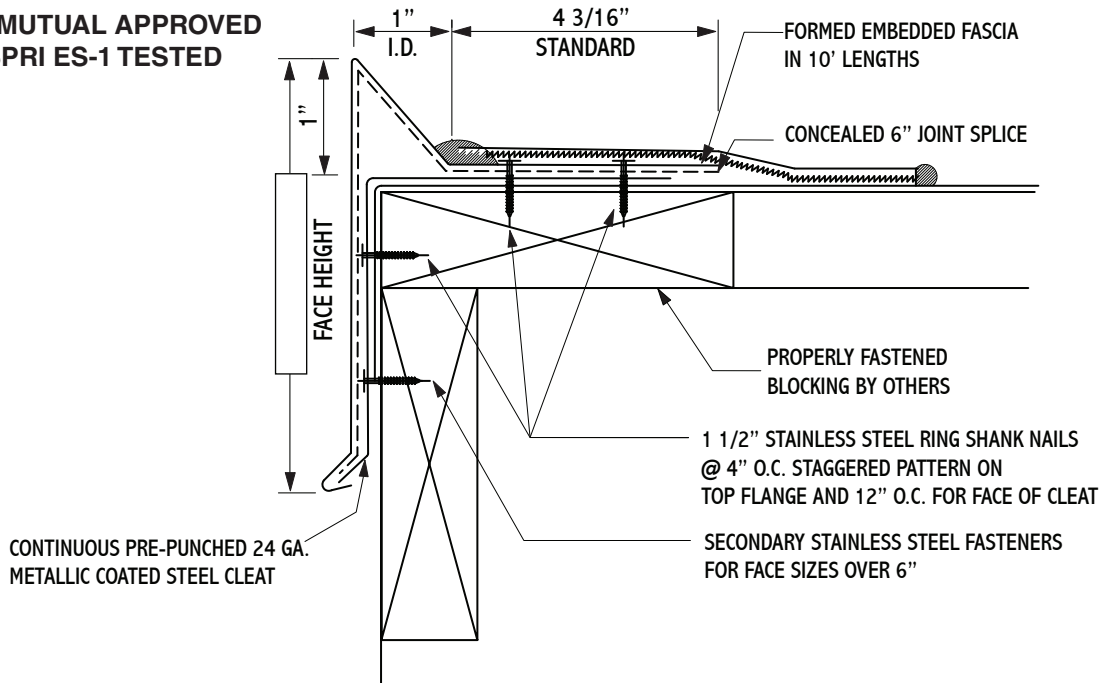
CONTACT NAME: _____ LOCATION: _____

PHONE: _____ SHIP TO: _____

FAX: _____

DATE: _____

**FACTORY MUTUAL APPROVED
ANSI/SPRI ES-1 TESTED**



QUANTITY

_____ NUMBER OF PIECES
 _____ OUTSIDE CORNERS
 _____ INSIDE CORNERS
 _____ END CAP - L
 _____ END CAP - R
 _____ END TERM - L
 _____ END TERM - R

MATERIALS

ALUMINUM
 METALLIC COATED STEEL

THICKNESS
 .040
 .050
 24 GA.

ACCESSORY TYPE

METAL-LOK
 - CORNERS
 WELDED
 - END CAPS & END TERMINATIONS

FINISH

PREFINISHED KYNAR 500® PVDF
 PREFINISHED CLEAR ANODIZED (Aluminum Only)

COLOR _____

TRANSMITTAL

REQUEST FOR QUOTATION
 SUBMIT FOR APPROVAL
 REQUEST FOR INFORMATION
 CONFIRMING TELECONFERENCE
 FOR YOUR FILES

BY _____ DATE _____

CUSTOMER APPROVAL

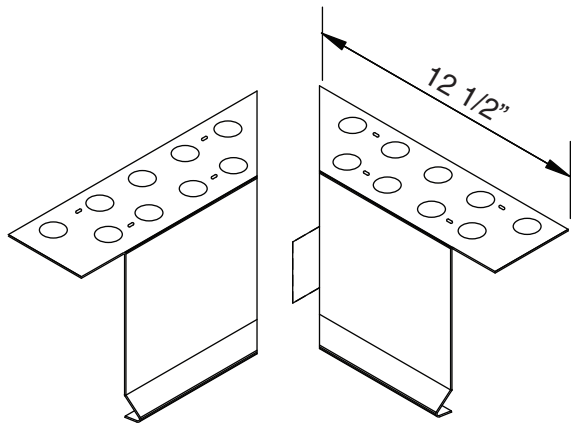
 AUTHORIZED CUSTOMER SIGNATURE

 PRINT NAME

 TITLE

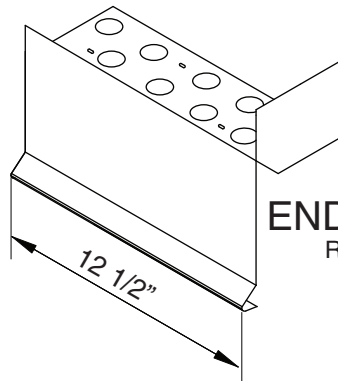
 DATE

Embedded Fascia - Gravel Stop Style

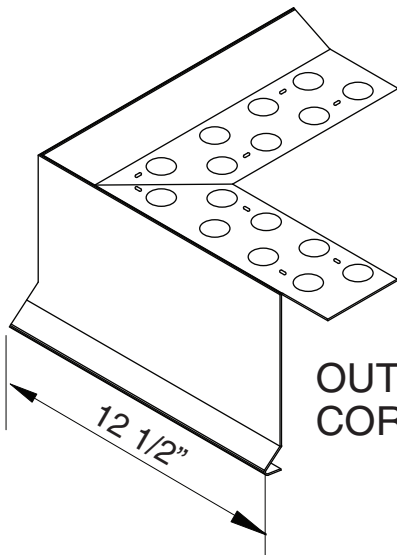


INSIDE CORNER

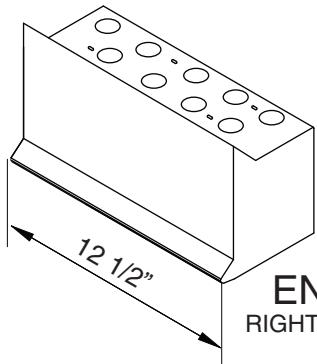
SKU	FACE HEIGHT IN.	COVERAGE IN.
<input type="checkbox"/> MAG400	4	2 1/2
<input type="checkbox"/> MAG550	5 1/2	4
<input type="checkbox"/> MAG700	7	5 1/2
<input type="checkbox"/> MAG850	8 1/2	7



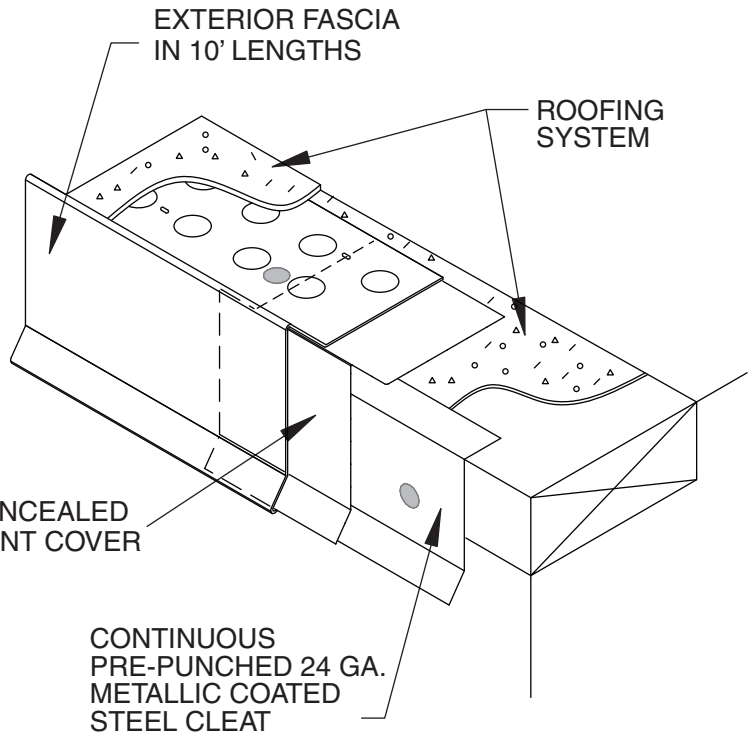
END TERMINATION
RIGHT HAND SHOWN



OUTSIDE CORNER



END CAP
RIGHT HAND SHOWN



NOTE: VERIFY ALL INSTALLATION DETAILS FOR ACCEPTANCE BY ROOFING SYSTEM MANUFACTURER

WHEN FACE SIZE EXCEEDS 6", ADDITIONAL FASTENERS ARE REQUIRED ON THE FACE OF THE CLEAT.

ATAS International, Inc.

Allentown, PA ~ Mesa, AZ ~ Maryville, TN
800.468.1441 ~ info@atas.com ~ www.atas.com
Fax: Allentown-610.395.9342 ~ Mesa-480.558.7217

KYNAR 500® PVDF is a trademark of Arkema.