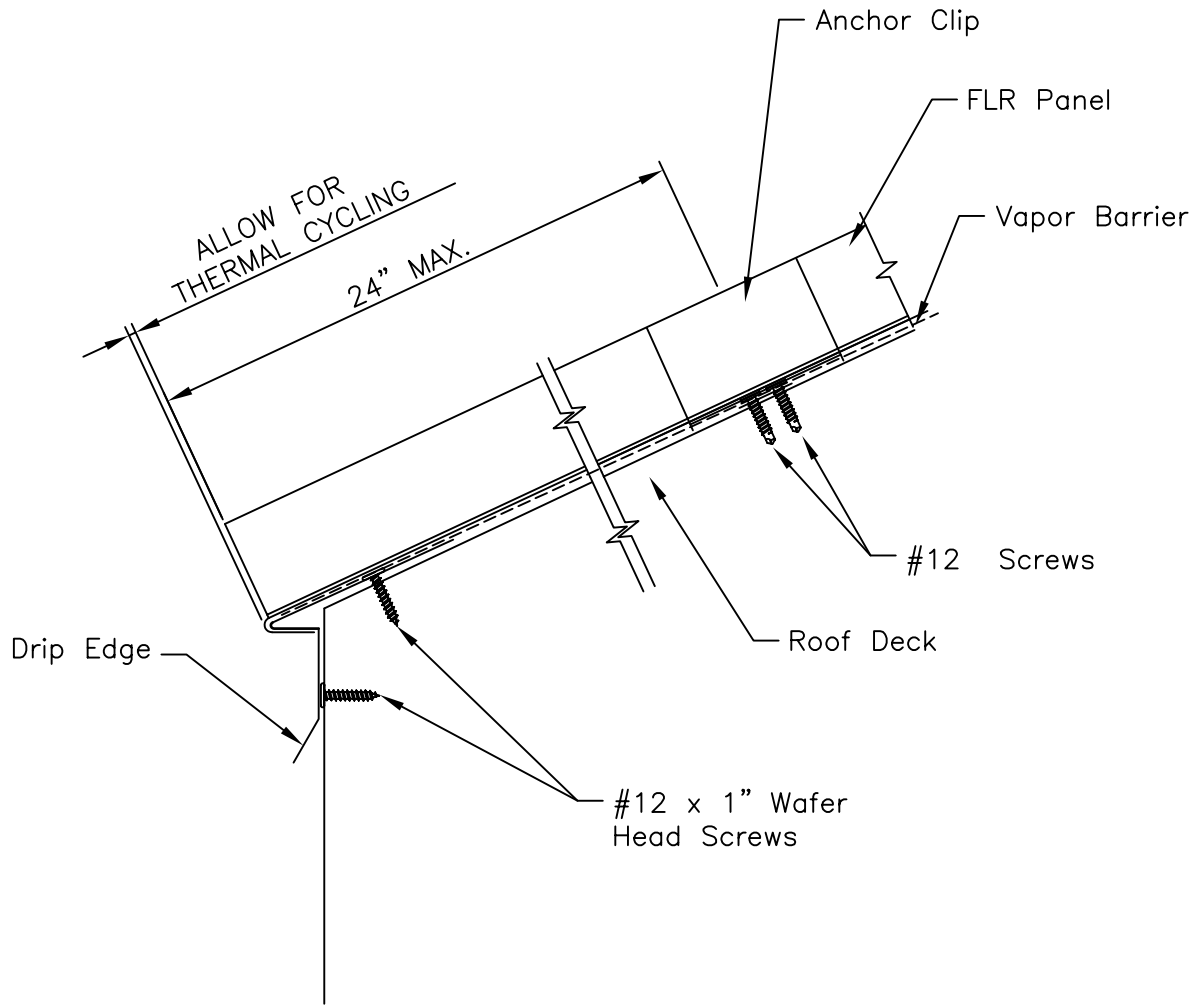




ATAS INTERNATIONAL, INC.
 Allentown PA
 610-395-9445
 Mesa AZ
 480-658-7210

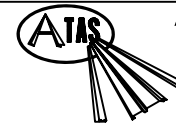
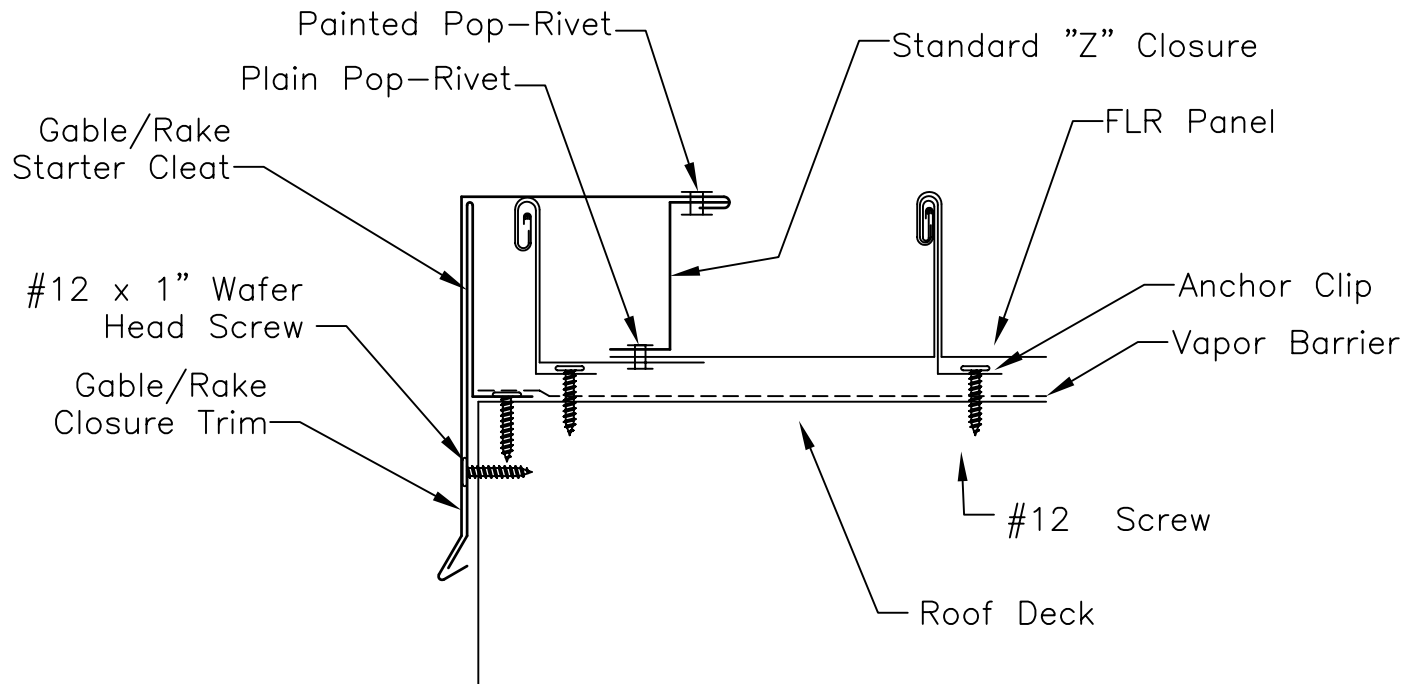
TITLE **2" FIELD-LOK PANEL FLR**

Rev. No.	Revision Date	Drawn By	Description of Revision	DWG NO. / FILE NO.	Field-Lok FLR	SCALE	X:Y
0	02/05/09	RRG	Single line drawing	DRAWN BY: RRG	DATE: 02/05/09	APPR. BY:	DATE:
				REVISION NO. XXXX	REVISION DATE MM/DD/YY	APPR. BY: XXXX	APPR. DATE MM/DD/YY



		ATAS INTERNATIONAL, INC. Allentown PA 610-395-8445 Mesa AZ 480-558-7210			
		TITLE FLR Eave - Steep Slope			
DWG NO. / FILE NO.		FLR Eave - Steep Slope		SCALE 3"=1'-0"	
DRAWN BY DAS	DATE 3-6-06	APPR. BY JEB	DATE 5-31-06		
REVISION NO. XXXX	REVISION DATE MM/DD/YY	APPR. BY XXXX	APPR. DATE MM/DD/YY		

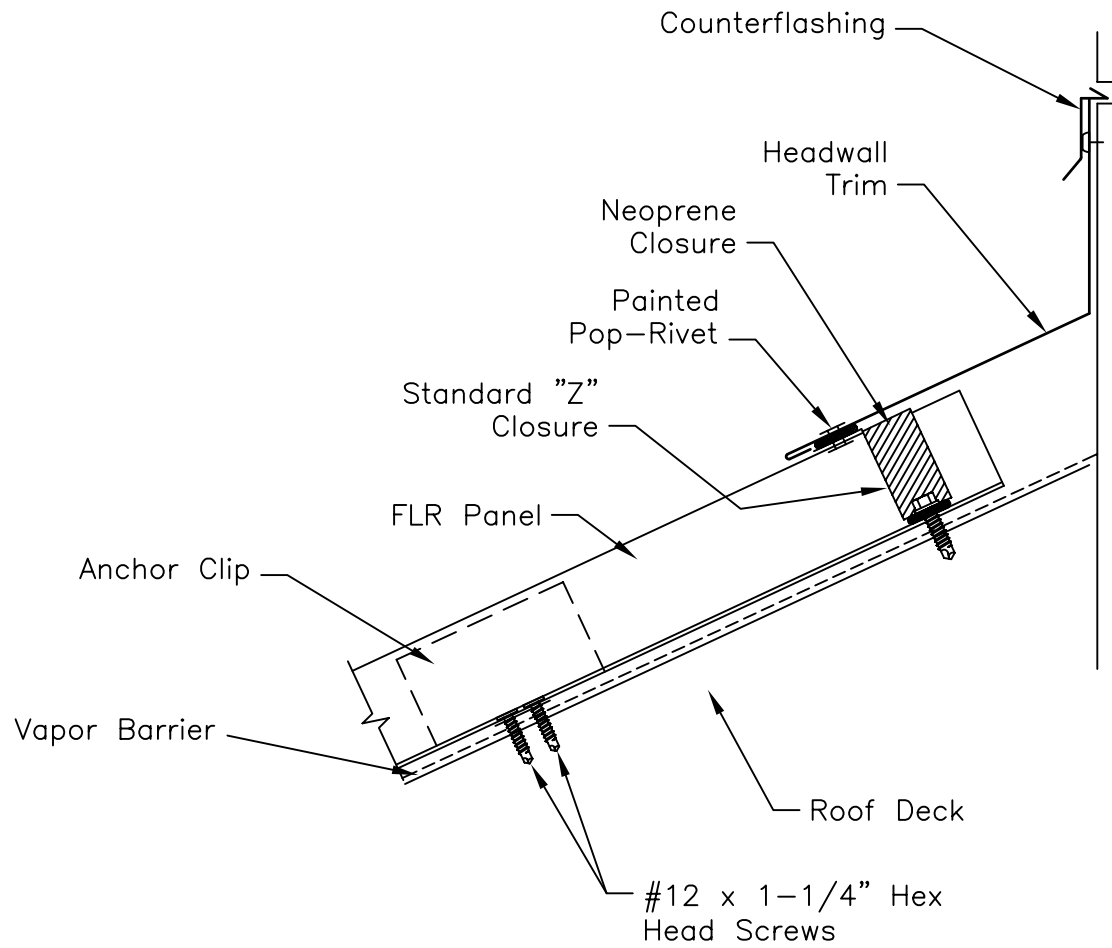
Rev. No.	Revision Date	Drawn By	Description of Revision
0	5-31-06	DAS	FLR Eave - Steep Slope




ATAS INTERNATIONAL, INC.
 Allentown PA
 610-395-8445
 Mesa AZ
 480-558-7210

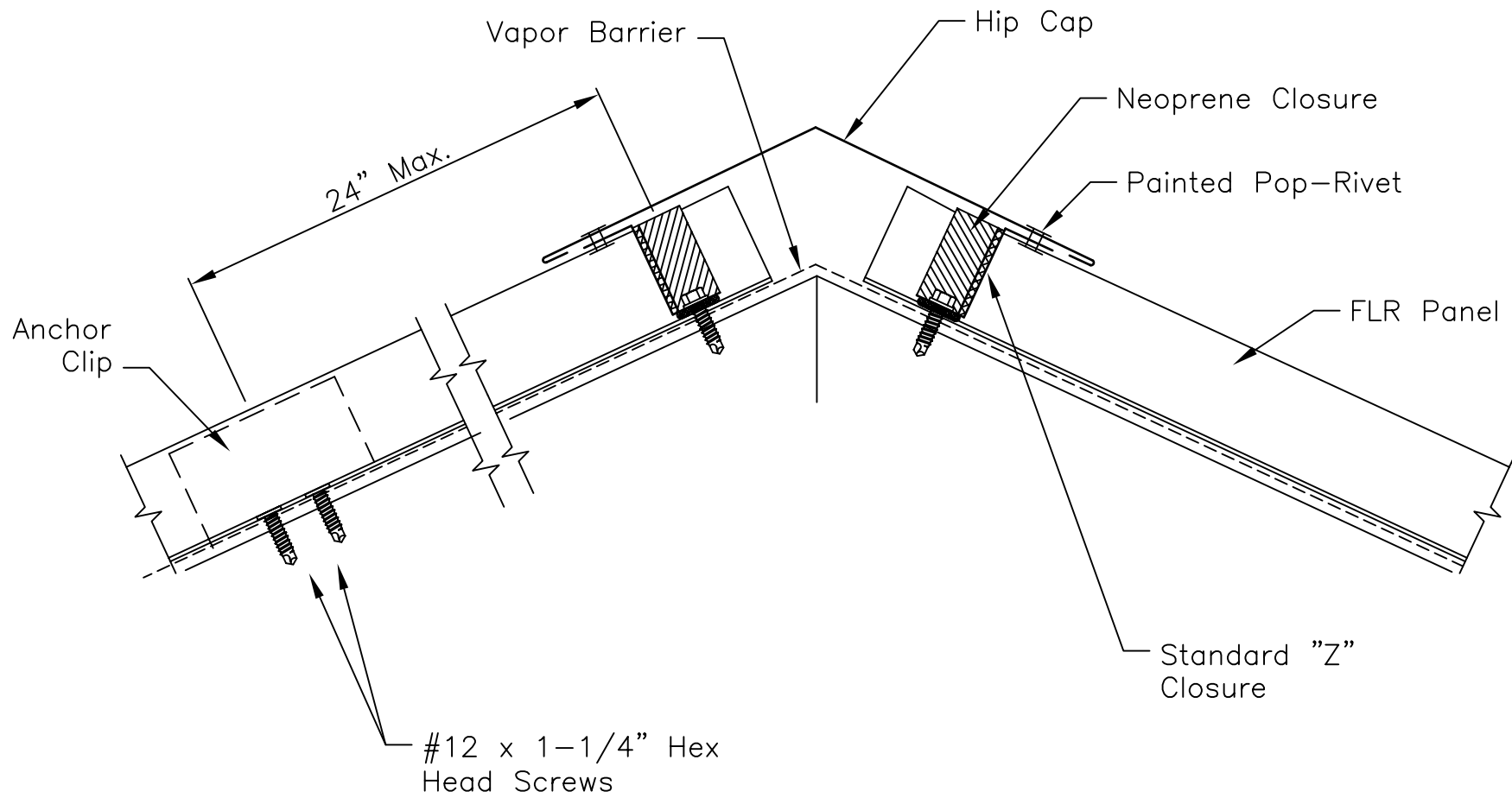
TITLE		FLR Gable - Steep Slope					
DWG NO. / FILE NO.		FLR Gable - Steep Slope				SCALE	3"=1'-0"
DRAWN BY	DAS	DATE	3-6-06	APPR. BY	JEB	DATE	5-31-06
REVISION NO.	XXXX	REVISION DATE	MM/DD/YY	APPR. BY	XXXX	APPR. DATE	MM/DD/YY

Rev. No.	Revision Date	Drawn By	Description of Revision
0	5-31-06	DAS	FLR Gable - Steep Slope



Rev. No.	Revision Date	Drawn By	Description of Revision
0	5-31-06	DAS	FLR Headwall - Steep Slope

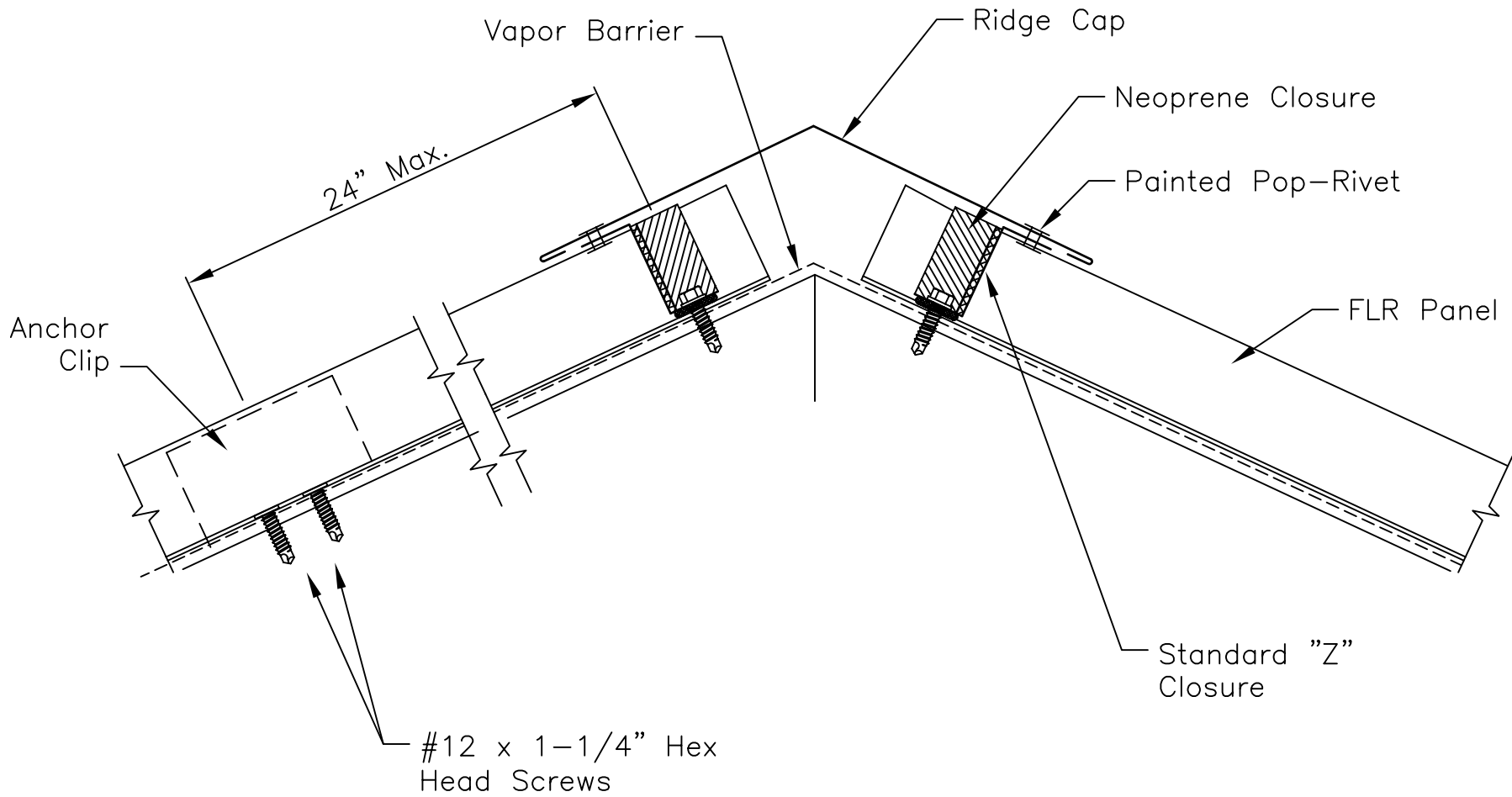
		ATAS INTERNATIONAL, INC. Allentown PA 610-395-8445 Mesa AZ 480-558-7210					
		TITLE FLR Headwall - Steep Slope					
DWG NO. / FILE NO.		FLR Headwall - Steep Slope				SCALE 3"=1'-0"	
DRAWN BY	DAS	DATE	3-6-06	APPR. BY	JEB	DATE	5-31-06
REVISION NO.	XXXX	REVISION DATE	MM/DD/YY	APPR. BY	XXXX	APPR. DATE	MM/DD/YY



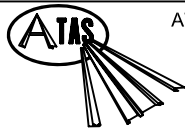
ATAS INTERNATIONAL, INC.
 Allentown PA
 610-395-8445
 Mesa AZ
 480-558-7210

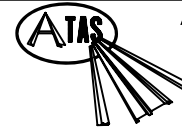
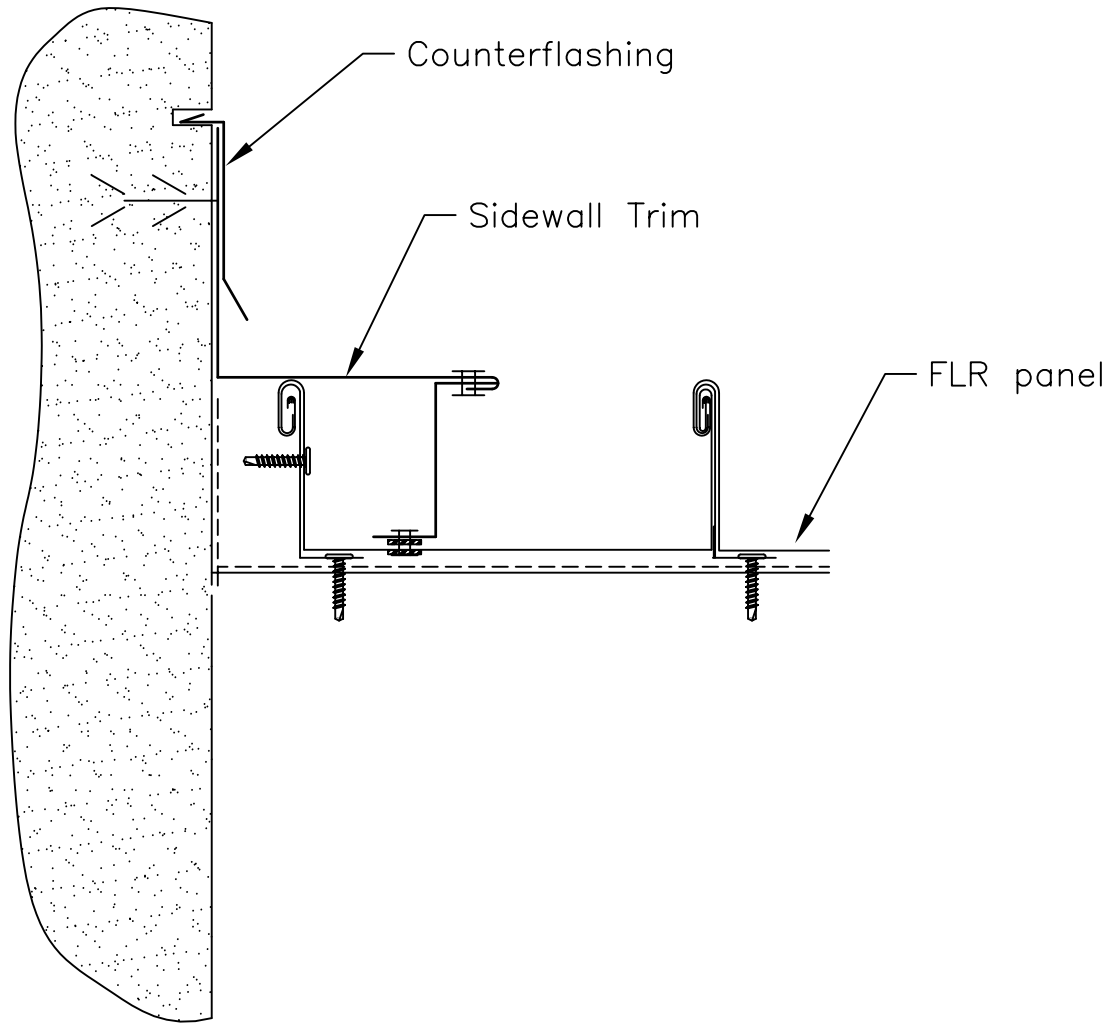
TITLE								FLR Hip - Steep Slope			
DWG NO. / FILE NO.		FLR Hip - Steep Slope						SCALE		3"=1'-0"	
DRAWN BY	DAS	DATE	3-6-06	APPR. BY	JEB	DATE	5-31-06				
REVISION NO.	XXXX	REVISION DATE	MM/DD/YY	APPR. BY	XXXX	APPR. DATE	MM/DD/YY				

Rev. No.	Revision Date	Drawn By	Description of Revision
0	5-31-06	DAS	FLR Hip - Steep Slope



Rev. No.	Revision Date	Drawn By	Description of Revision
0	5-31-06	DAS	FLR Ridge - Steep Slope

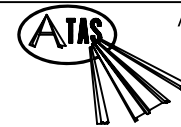
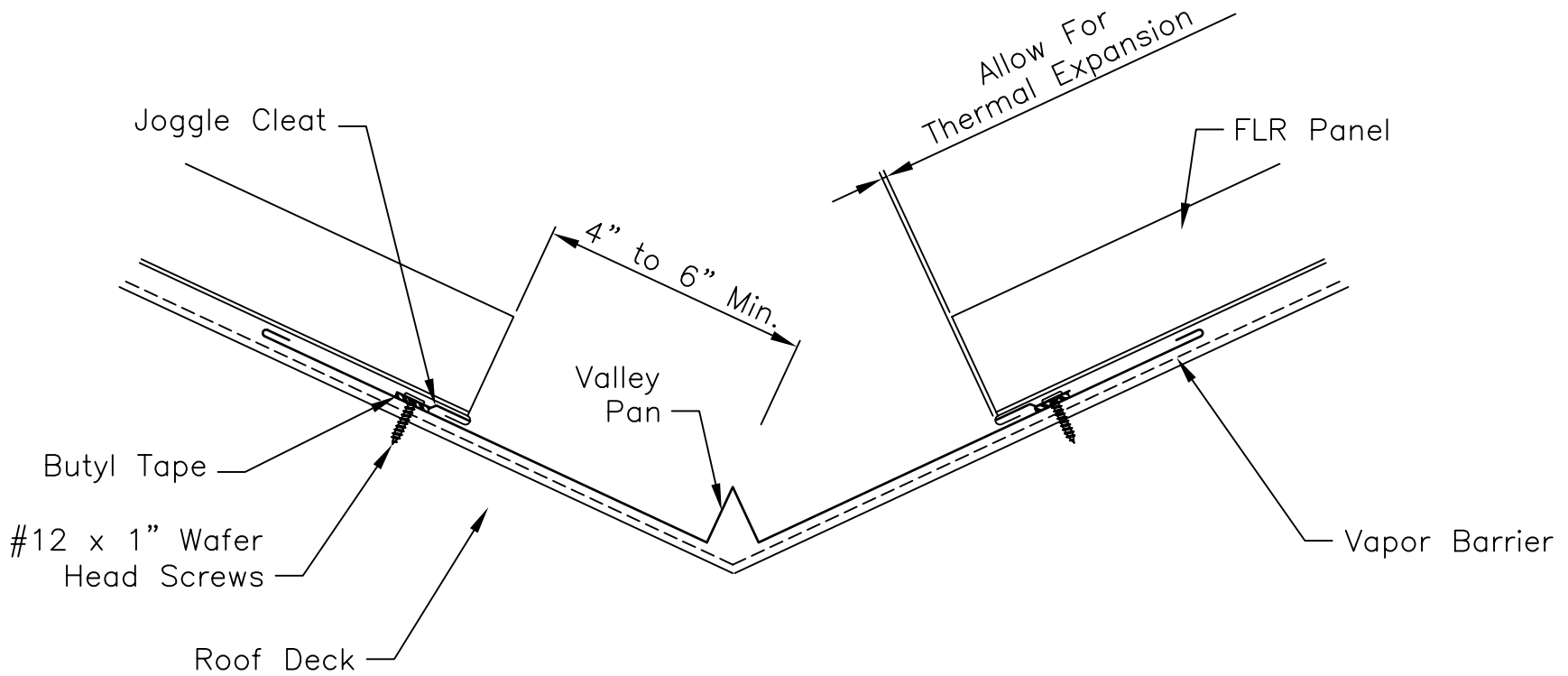
		ATAS INTERNATIONAL, INC. Allentown PA 610-395-8445 Mesa AZ 480-558-7210				
		TITLE FLR Ridge - Steep Slope				
DWG NO. / FILE NO.		FLR Ridge - Steep Slope			SCALE 3"=1'-0"	
DRAWN BY DAS	DATE 3-6-06	APPR. BY JEB	DATE 5-31-06			
REVISION NO. XXXX	REVISION DATE MM/DD/YY	APPR. BY XXXX	APPR. DATE MM/DD/YY			



ATAS INTERNATIONAL, INC.
 Allentown PA
 610-395-8445
 Mesa AZ
 480-558-7210

TITLE		FLR Sidewall - Steep Slope					
DWG NO. / FILE NO.		FLR Sidewall - Steep Slope				SCALE	3"=1'-0"
DRAWN BY	DAS	DATE	3-6-06	APPR. BY	JEB	DATE	5-31-06
REVISION NO.	XXXX	REVISION DATE	MM/DD/YY	APPR. BY	XXXX	APPR. DATE	MM/DD/YY

Rev. No.	Revision Date	Drawn By	Description of Revision
0	5-31-06	DAS	FLR Sidewall - Steep Slope



ATAS INTERNATIONAL, INC.
 Allentown PA
 610-395-8445
 Mesa AZ
 480-558-7210

FLR Valley - Steep Slope							
DWG NO. / FILE NO.		FLR Valley - Steep Slope				SCALE 3"=1'-0"	
DRAWN BY	DAS	DATE	3-6-06	APPR. BY	JEB	DATE	5-31-06
REVISION NO.	XXXX	REVISION DATE	MM/DD/YY	APPR. BY	XXXX	APPR. DATE	MM/DD/YY

Rev. No.	Revision Date	Drawn By	Description of Revision
0	5-31-06	DAS	FLR Valley - Steep Slope