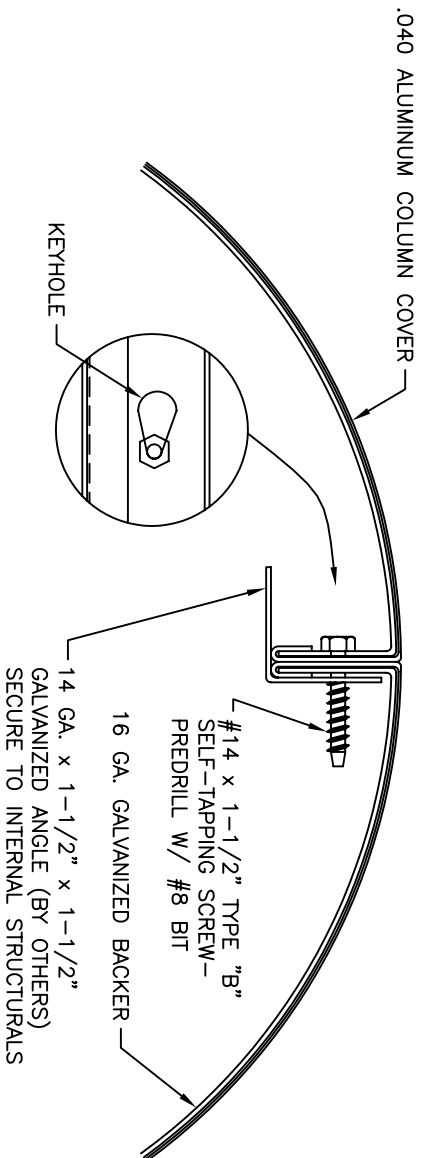
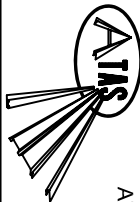


DETAIL #1 - VERTICAL HAIRLINE JOINT



Rev. No.	Revision Date	Drawn By	Description of Revision
0	5-30-06	DAS	Column Cover Vertical Joints 1

 <p>ATAS INTERNATIONAL, INC.          Allentown PA          610-395-8445          Mesa AZ          480-558-7210</p>		<p>TITLE</p> <p>Column Cover Vertical Joints 1</p>		SCALE	3"=1'-0"
DWG NO. / FILE NO.	Column Cover Vertical Joints 1	DATE	3-6-06	APPR. BY	JEB
DRAWN BY	DAS	REVISION DATE	MM/DD/YY	APPR. BY	XXXX
REVISION NO.	XXXX	REVISION DATE	MM/DD/YY	APPR. DATE	MM/DD/YY