

ATAS OFFERS

UNIQUE SOLUTIONS

TO VARIOUS

ROOFING PROBLEMS

From a simple aesthetic enhancement, to correcting a deteriorating roof, a new metal roof design may be the easiest and most sound solution.

ATAS ATA-FRAME Systems present a low cost method for roof renovation.

A fully engineered roof design improves roof performance and appearance.

ATAS ATA-FRAME

offers the following options:

- ✓ Can be applied to almost any existing building and sub-strate.
- ✓ All uprights offer adjustability - ensuring a new even roof slope.
- ✓ Easy installation.
- ✓ Work can be accomplished with minimal disruption to tenants, tear - off may not be required.
- ✓ Reduced construction time and cost.
- ✓ Light weight - a new metal roof system adds only 1-1/2 to 3 lbs. of weight per sq. ft.
- ✓ A completed metal roof system with stone or ballast removed is lighter than the original flat roof.
- ✓ Allows for positive roof drainage.
- ✓ Fully engineered design.
- ✓ Extends roof life.
- ✓ Improved roof performance and appearance.
- ✓ Minimizes roof maintenance.
- ✓ Full shop/erection drawings provided.
- ✓ Insulation easily added resulting in energy savings.

ATAS can help you from project inception to completion on the design of your new or reroof project. Give our technical staff a call to see just how helpful we can be.

ATAS INTERNATIONAL INC.

ALLENTOWN, PA

MESA, AZ

MARYVILLE, TN

Website: www.atas.com

Tel: (610) 395-8445

Tel. (480) 558-7210

Tel. (800) 468-1441

Fax: (610) 395-9342

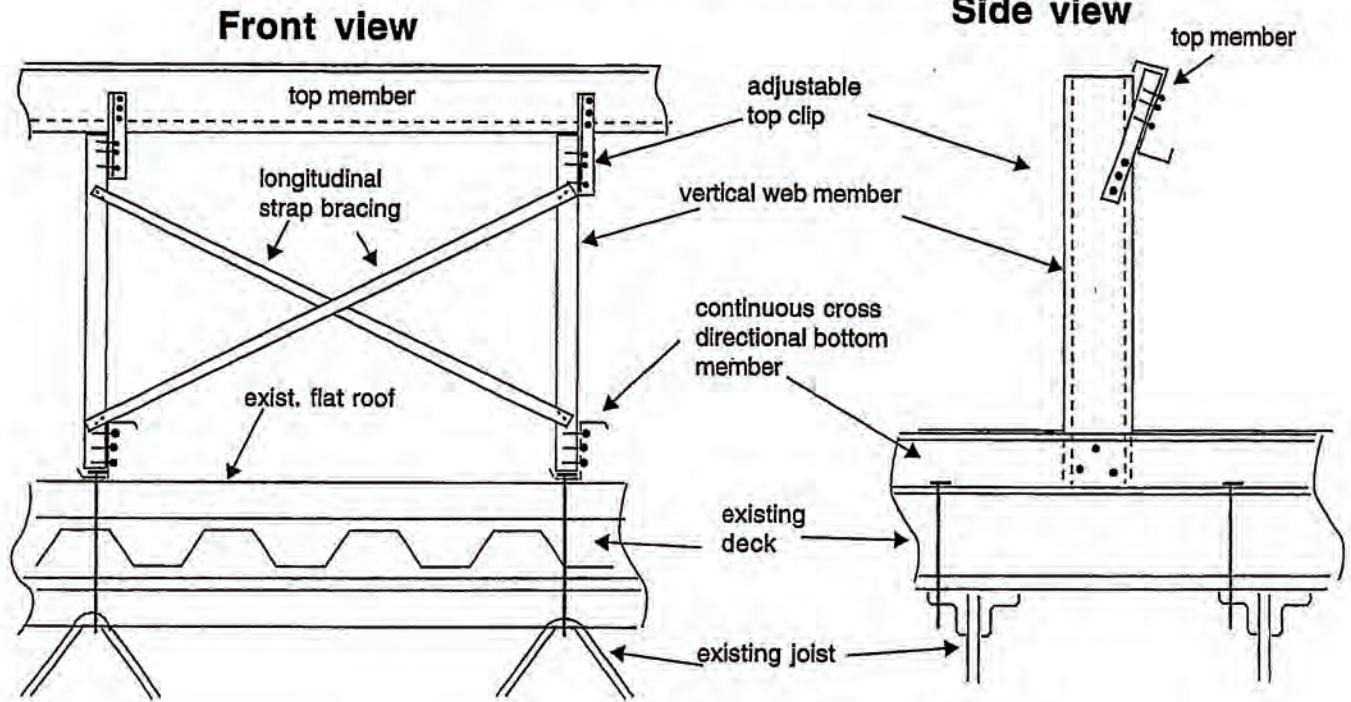
Fax: (480) 558-7217

E-mail: info@atas.com

ATAS ATA-FRAME SYSTEM

Continuous Cross Directional Bottom Member

Typically used when underlying joists run perpendicular to the new roof slope.

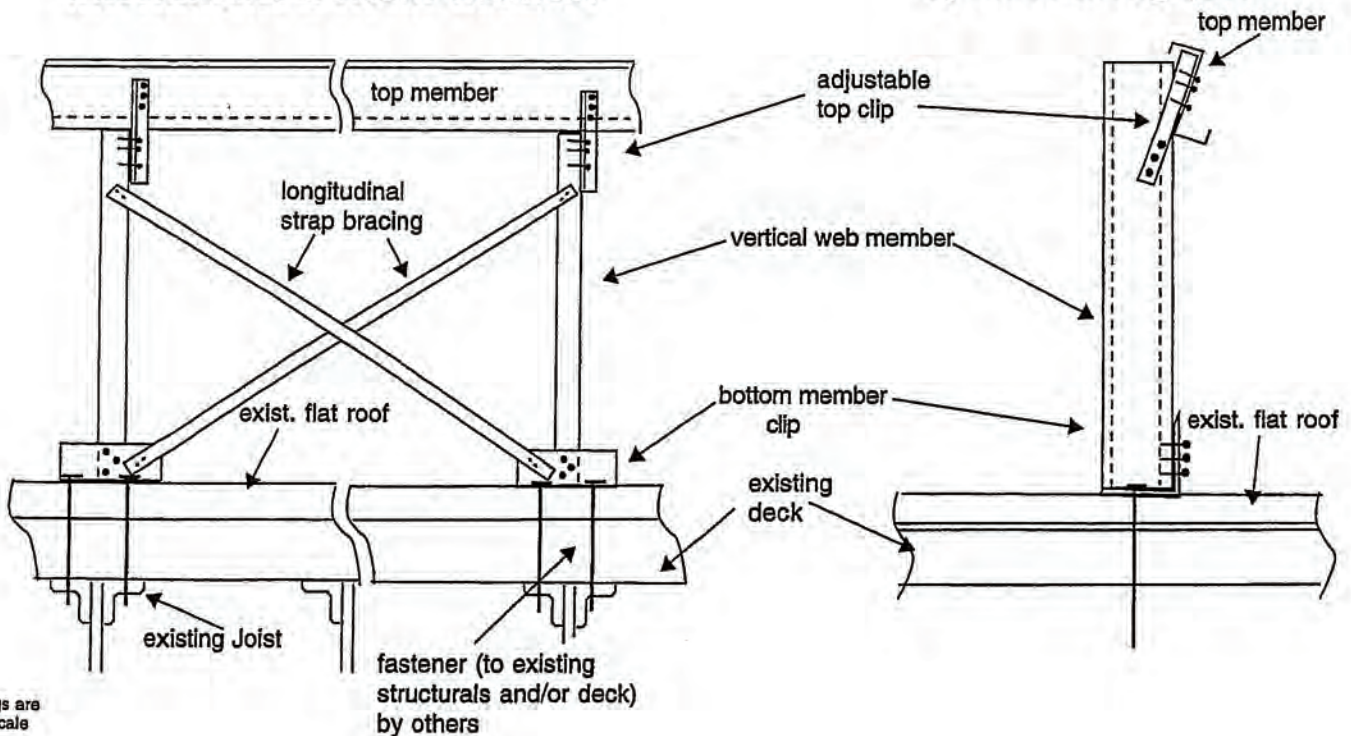


Intermittent Bottom Member

Typically used when underlying joists run parallel to the new roof.

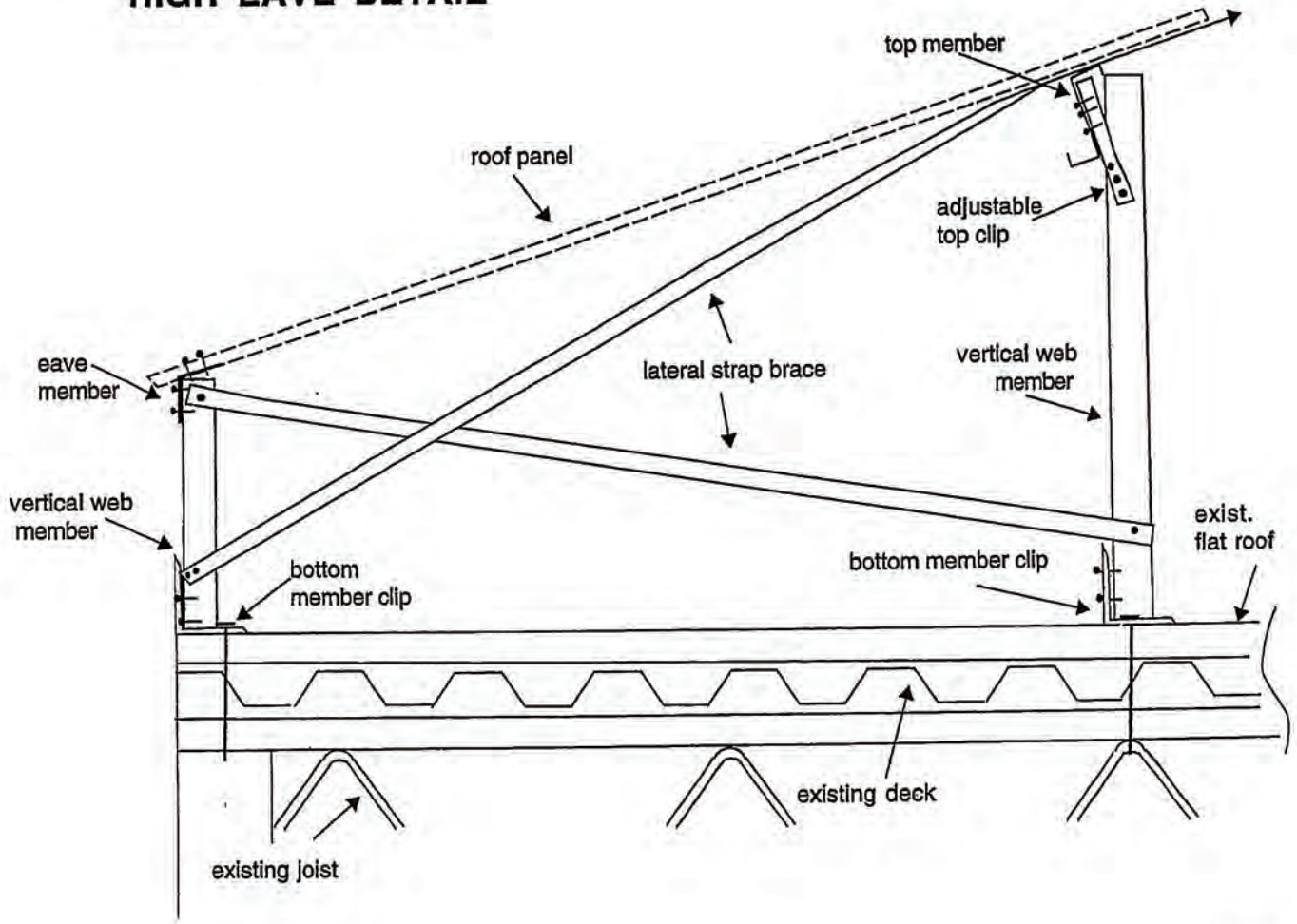
Front view of system with intermittent bottom member

Side view of system along joist

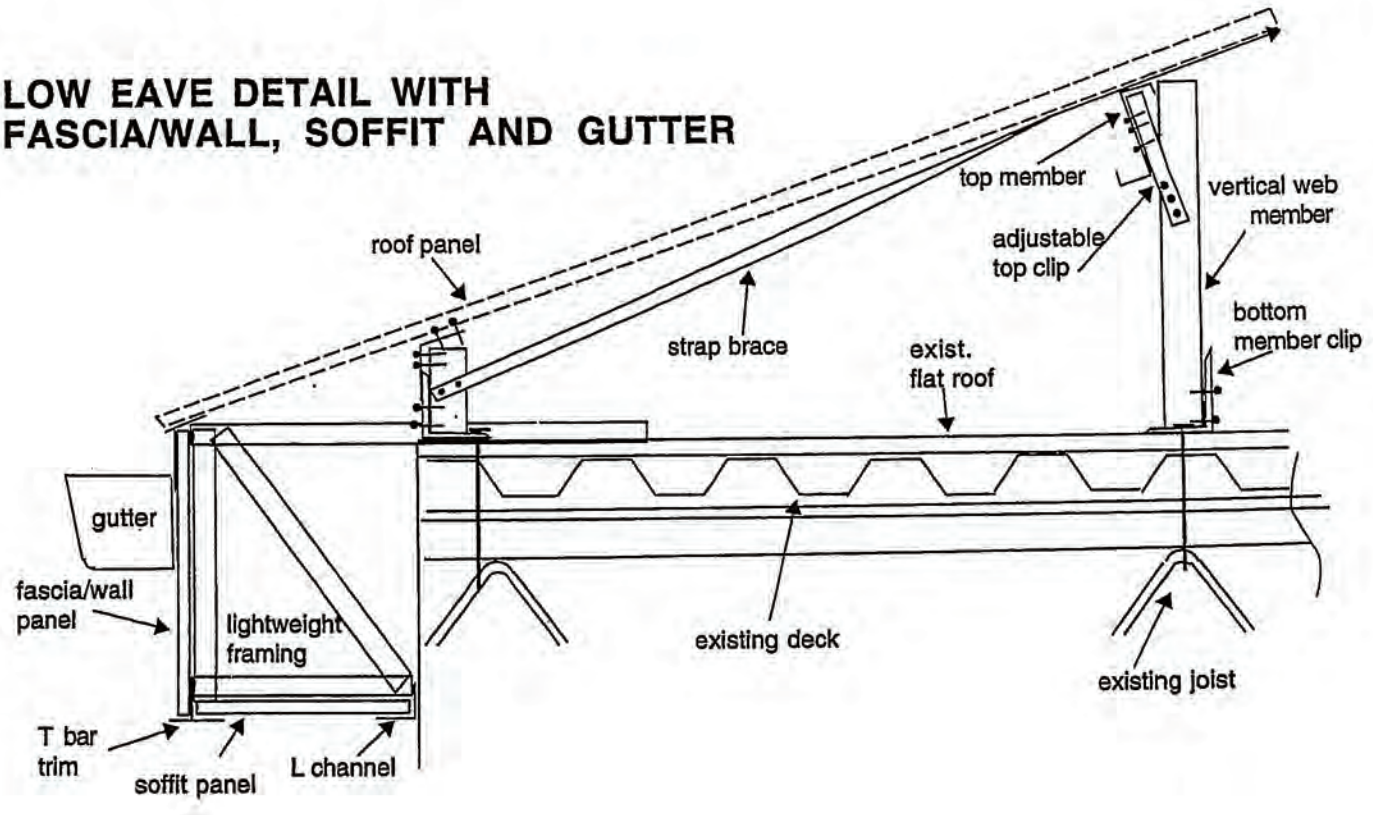


drawings are not to scale

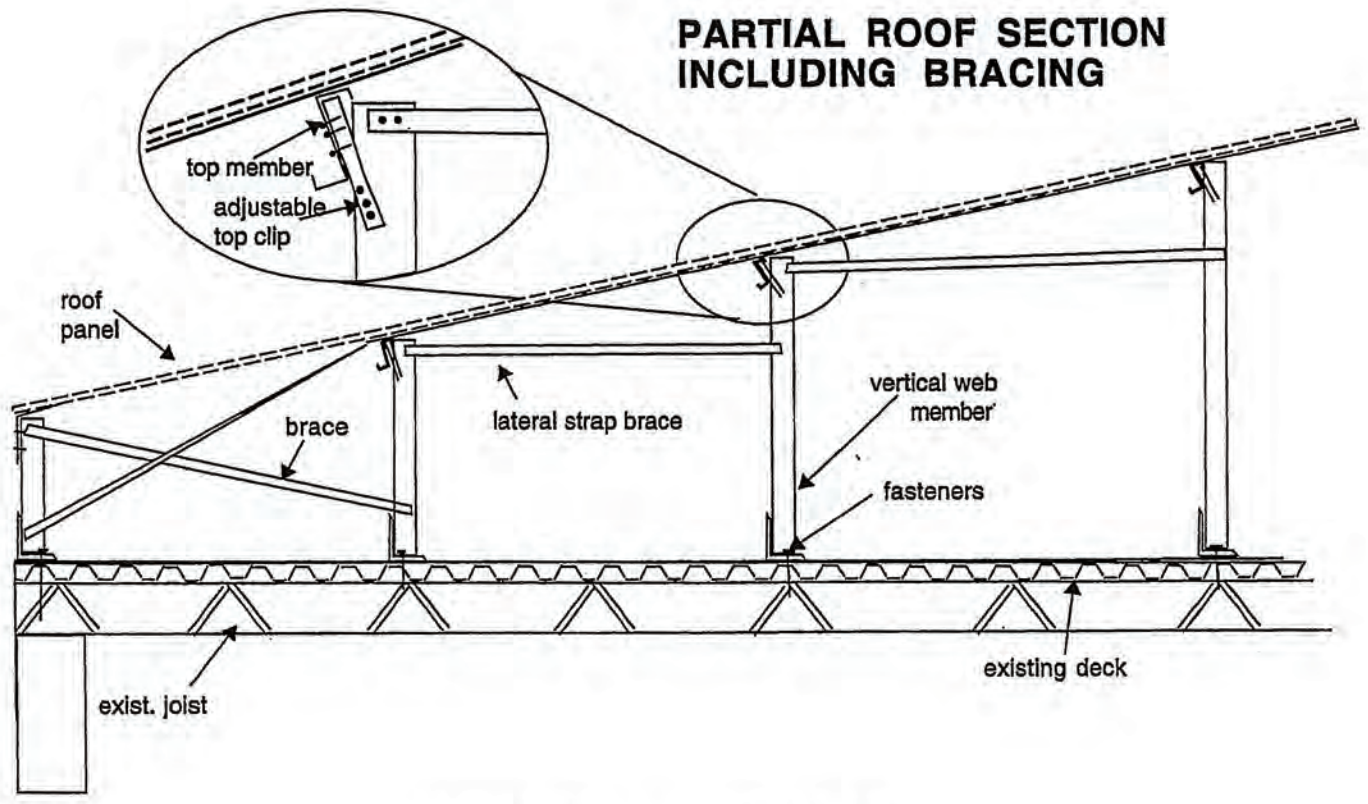
HIGH EAVE DETAIL



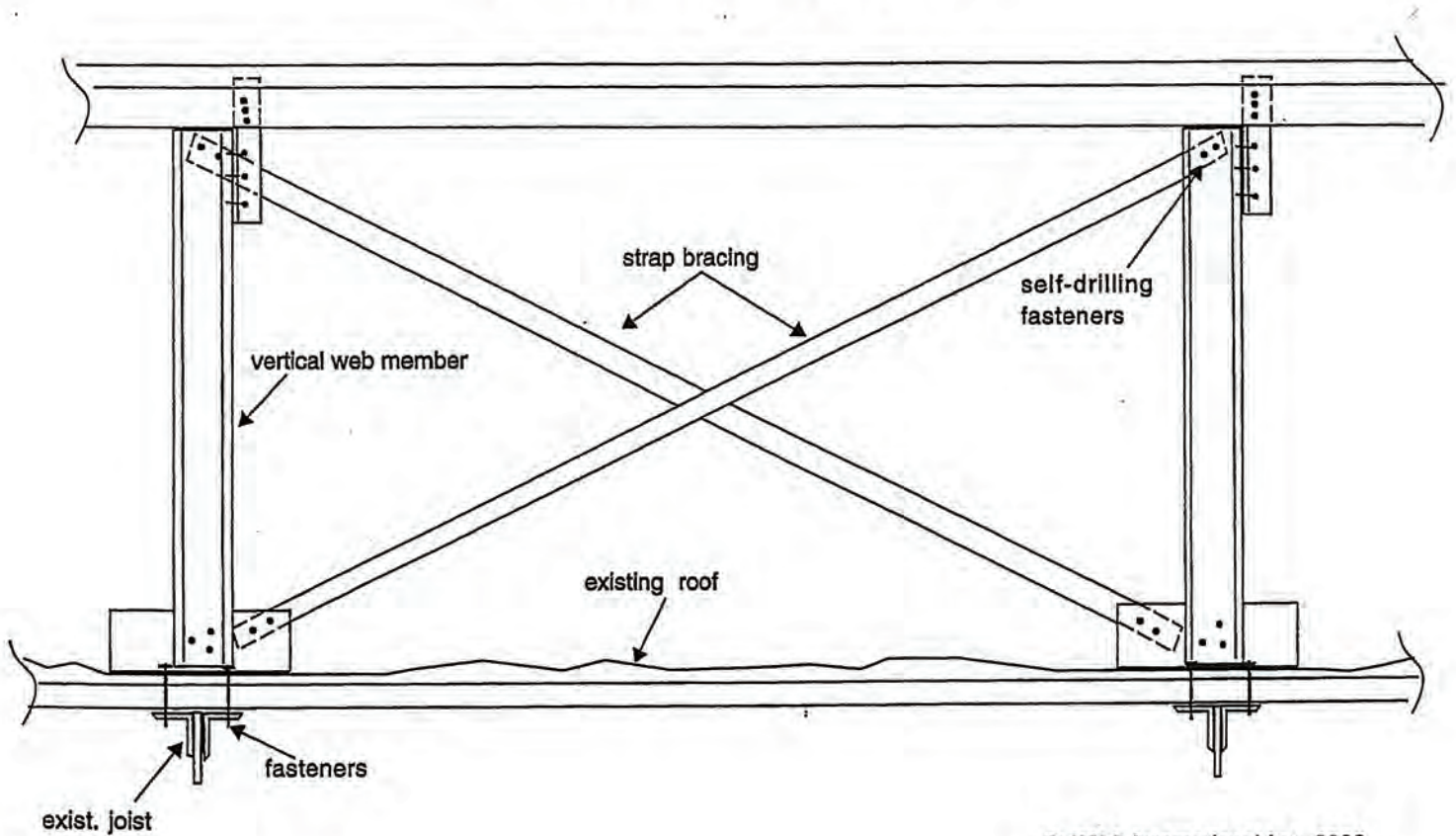
LOW EAVE DETAIL WITH FASCIA/WALL, SOFFIT AND GUTTER



PARTIAL ROOF SECTION INCLUDING BRACING



LONGITUDINAL BRACING



© ATAS International Inc. 2000

CP2.5M0206

Drawings are not to scale