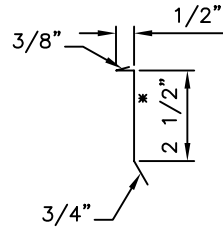
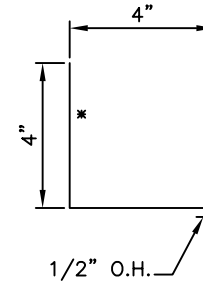


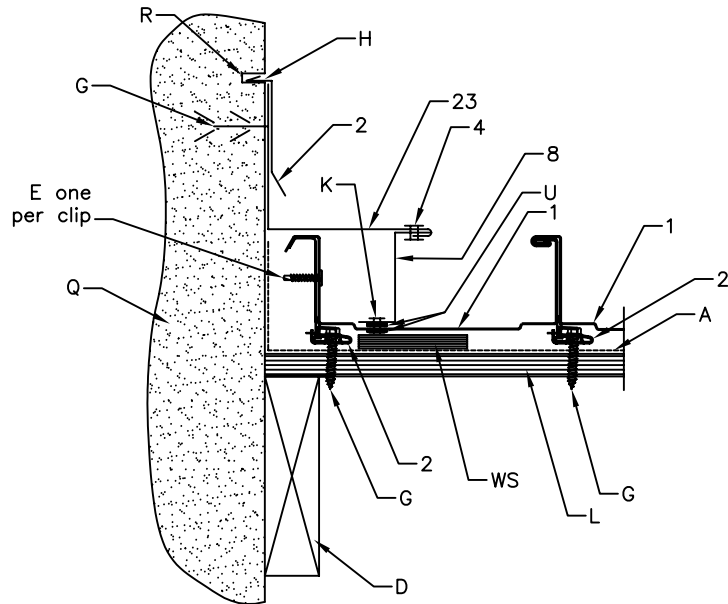
⑧ - FLA212 'Z' CLOSURE



②② - FLA980 COUNTERFLASHING



②③ - FLA410 SIDEWALL TRIM



Field Lock Seam Panel
Starting Rake/Sidewall Detail -
plywood Scale: 3" = 1'-0"


Legend

As Supplied By ATAS:

- 1 - FLSXXX Field Lock Seam Panel
- 2 - Anchor Clips
- 8 - 'Z' Closure
- 22 - Counterflashing
- 23 - Sidewall Trim

As Supplied By Others:

- A - 30# (Minimum) Felt with Rosin Paper
- A1 - 40 MIL Ice & Water Shield
- B - Top of Roof Deck or Insulation
- C - Structurals
- D - Trim Boards
- E - #12 x 1' Wafer Head Screws
- E1 - #12 x 1-1/4' Hex Head Screws
- G - Appropriate anchor screws sufficiently long enough to fully penetrate the solid substrate (Some types/styles available from ATAS.)
- H - Appropriate Type Sealant
- J - Painted Pop-Rivets
- K - Plain Pop-Rivets - Not to penetrate the substrate.
- L - Plywood
- P - Wall Panel System
- Q - Masonry Walls
- R - Reglets
- U - Butyl Tape Sealant
- WS - Wood Shim 3/8" or 1-3/8"

		ATAS INTERNATIONAL, INC. Allentown PA 610-395-8445 Mesa AZ 480-558-7210					
		TITLE FLS Starting Rake Sidewall -ply					
DWG NO. / FILE NO.		FLS Starting Rake Sidewall -ply				SCALE 3"=1'-0"	
DRAWN BY DAS	DATE 3-6-06	APPR. BY JEB	DATE 6-1-06				
REVISION NO. XXXX	REVISION DATE MM/DD/YY	APPR. BY XXXX	APPR. DATE MM/DD/YY				

Rev. No.	Revision Date	Drawn By	Description of Revision
0	6-1-06	DAS	FLS Starting Rake Sidewall -ply