

ATAS INTERNATIONAL, INC.
 Allentown PA
 610-395-8445
 Mesa AZ
 480-558-7210

TITLE **MFP Convex Curved Gable 2**

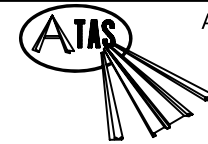
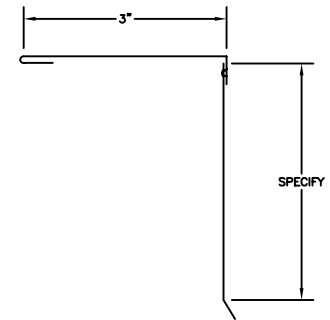
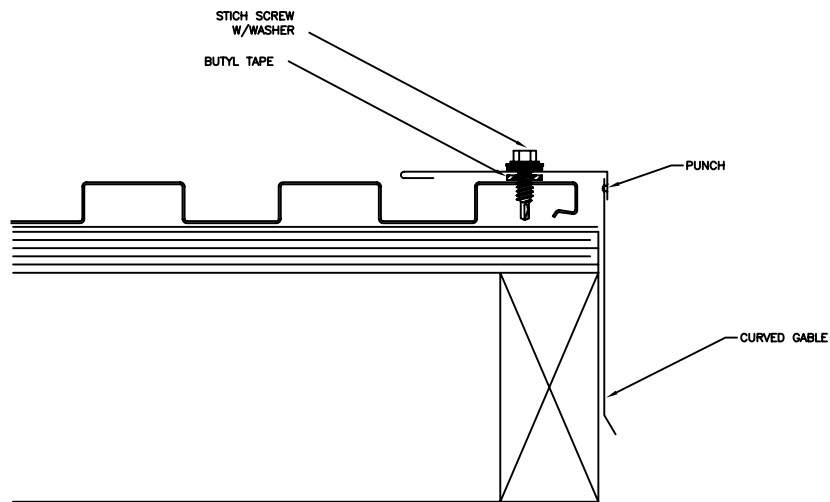
DWG NO. / FILE NO. **MFP Convex Curved Gable 2** SCALE 3"=1'-0"

DRAWN BY DAS DATE 3-6-06 APPR. BY JEB DATE 6-1-06

REVISION NO. XXXX REVISION DATE MM/DD/YY APPR. BY XXXX APPR. DATE MM/DD/YY

Rev. No.	Revision Date	Drawn By	Description of Revision
0	6-1-06	DAS	MFP Convex Curved Gable 2

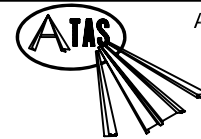
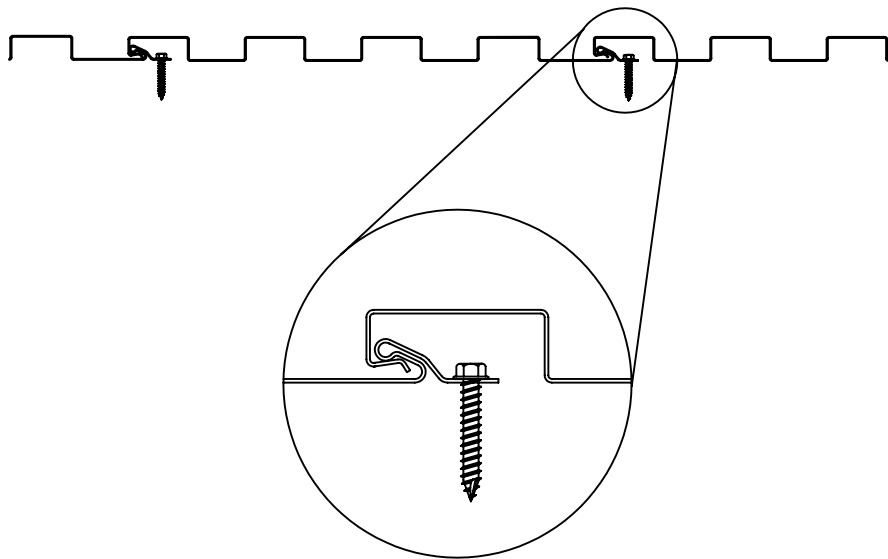
Rev. No.	Revision Date	Drawn By	Description of Revision
0	6-1-06	DAS	MFP Convex Curved Gable 2



ATAS INTERNATIONAL, INC.
 Allentown PA
 610-395-8445
 Mesa AZ
 480-558-7210

TITLE		MFP Convex Curved Gable					
DWG NO. / FILE NO.		MFP Convex Curved Gable			SCALE	3"=1'-0"	
DRAWN BY	DAS	DATE	3-6-06	APPR. BY	JEB	DATE	6-1-06
REVISION NO.	XXXX	REVISION DATE	MM/DD/YY	APPR. BY	XXXX	APPR. DATE	MM/DD/YY

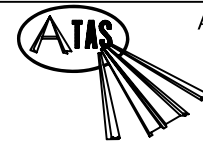
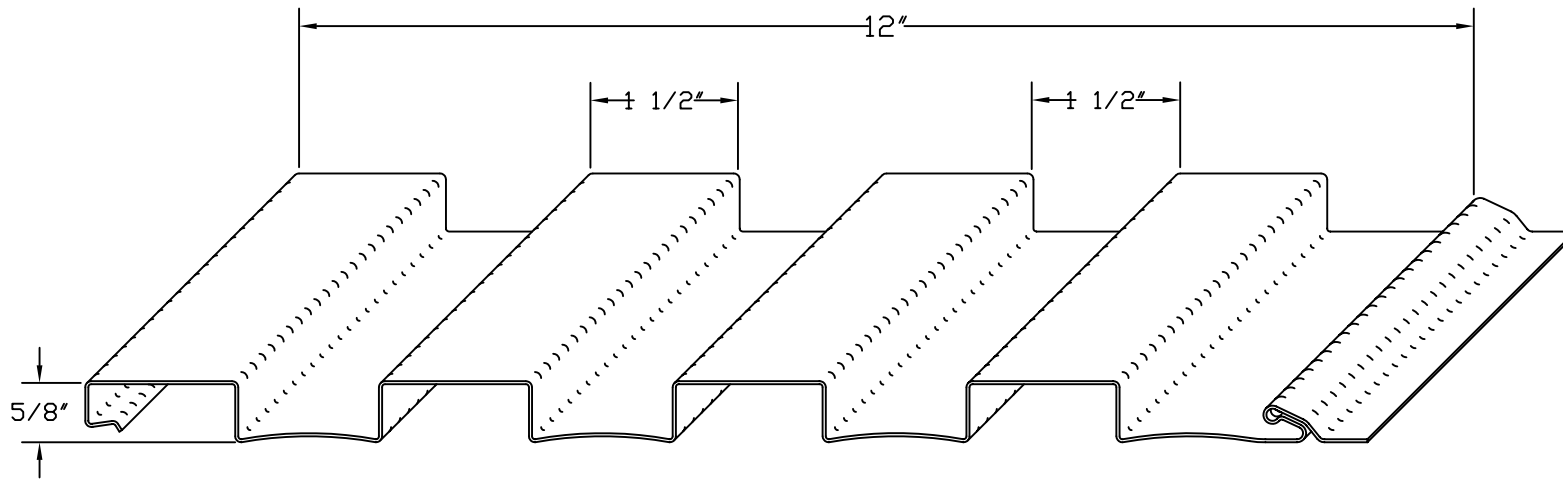
Rev. No.	Revision Date	Drawn By	Description of Revision
0	6-1-06	DAS	MFP Convex Curved Gable



ATAS INTERNATIONAL, INC.
 Allentown PA
 610-395-8445
 Mesa AZ
 480-558-7210

TITLE		Metafor Overlap Fastening					
DWG NO. / FILE NO.		Metafor Overlap Fastening				SCALE	3"=1'-0"
DRAWN BY	DAS	DATE	3-6-06	APPR. BY	JEB	DATE	6-1-06
REVISION NO.	XXXX	REVISION DATE	MM/DD/YY	APPR. BY	XXXX	APPR. DATE	MM/DD/YY

Rev. No.	Revision Date	Drawn By	Description of Revision
0	6-1-06	DAS	Metafor Overlap Fastening



ATAS INTERNATIONAL, INC.
 Allentown PA
 610-395-8445
 Mesa AZ
 480-558-7210

TITLE **MFP Profile**

DWG NO. / FILE NO. **MFP Profile** SCALE **3"=1'-0"**

DRAWN BY **DAS** DATE **7-25-07** APPR. BY **JEB** DATE **7-25-07**

REVISION NO. **XXXX** REVISION DATE **MM/DD/YY** APPR. BY **XXXX** APPR. DATE **MM/DD/YY**

Rev. No.	Revision Date	Drawn By	Description of Revision
0	7-25-07	DAS	MFP Profile