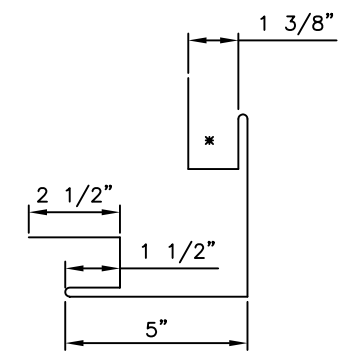
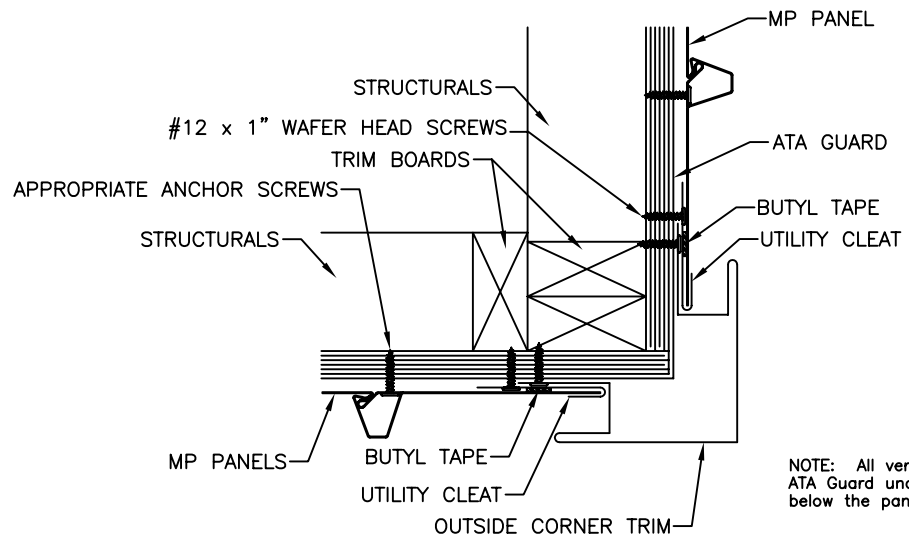


MPA962 UTILITY CLEAT

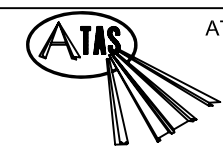


MDA610 OUTSIDE CORNER TRIM

Note: The 5" face dimension may vary to equal the hip cap as it meets the fascia. Customer must advise ATAS if desired.



NOTE: All vertical surfaces shall have ATA Guard underlayment applied just below the panels.



ATAS INTERNATIONAL, INC.
 Allentown PA
 610-395-8445
 Mesa AZ
 480-558-7210

TITLE								Multi Outside Corner - ply			
DWG NO. / FILE NO.				Multi Outside Corner - ply				SCALE		3"=1'-0"	
DRAWN BY	DAS	DATE	3-6-06	APPR. BY	JEB	DATE	6-1-06				
REVISION NO.	XXXX	REVISION DATE	MM/DD/YY	APPR. BY	XXXX	APPR. DATE	MM/DD/YY				

Rev. No.	Revision Date	Drawn By	Description of Revision
0	6-1-06	DAS	Multi Outside Corner - ply