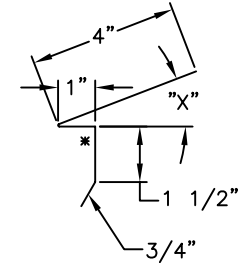
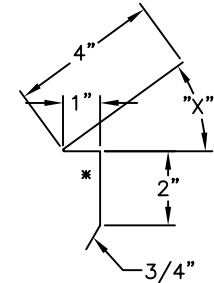
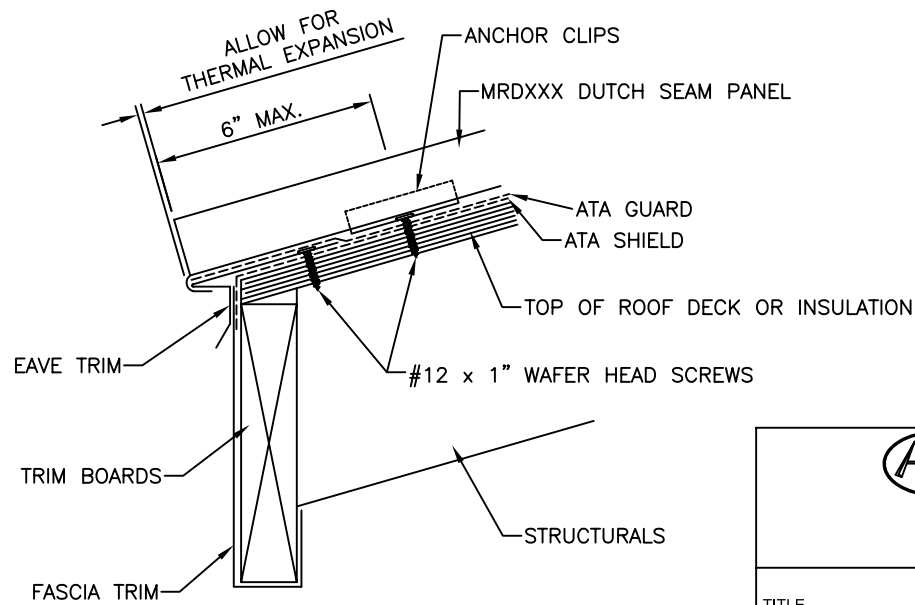


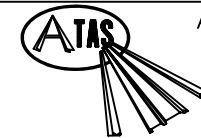
⑤ - EAVE TRIM - MDA111
For roof slopes 2/12 to 4/12



⑤ - EAVE TRIM - MDA112
For roof slopes 4/12 to 8/12



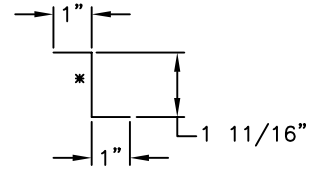
⑤ - EAVE TRIM - MDA113
For roof slopes 8/12 to 12/12



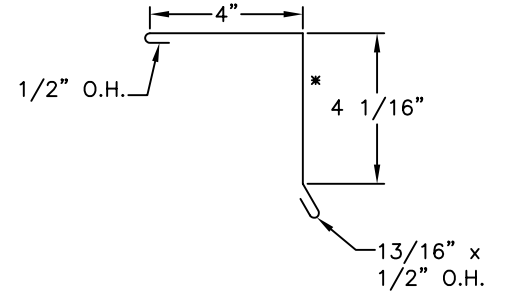
ATAS INTERNATIONAL, INC.
Allentown PA
610-395-8445
Mesa AZ
480-558-7210

TITLE		MRD Eave - Ply							
DWG NO. / FILE NO.		MRD Eave - Ply				SCALE		3"=1'-0"	
DRAWN BY	DAS	DATE	3-6-06	APPR. BY	JEB	DATE	5-31-06		
REVISION NO.	XXXX	REVISION DATE	MM/DD/YY	APPR. BY	XXXX	APPR. DATE	MM/DD/YY		

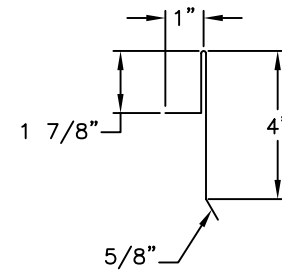
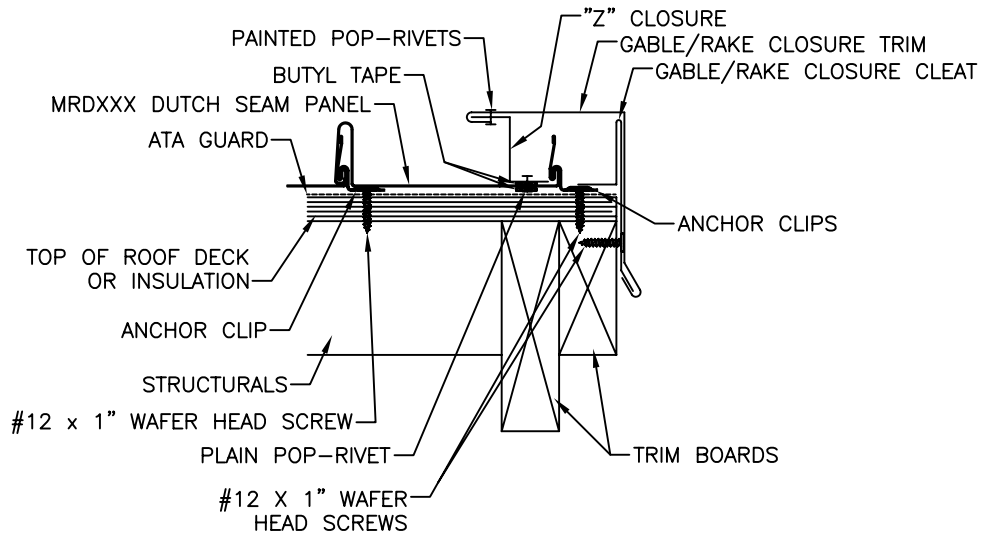
Rev. No.	Revision Date	Drawn By	Description of Revision
0	5-31-06	DAS	MRD Eave - Ply



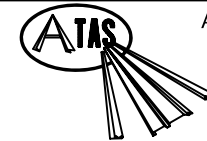
⑧ - MDA910 'Z' CLOSURE



⑨ - MDA210 GABLE/RAKE TRIM



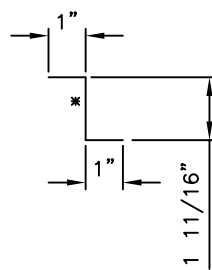
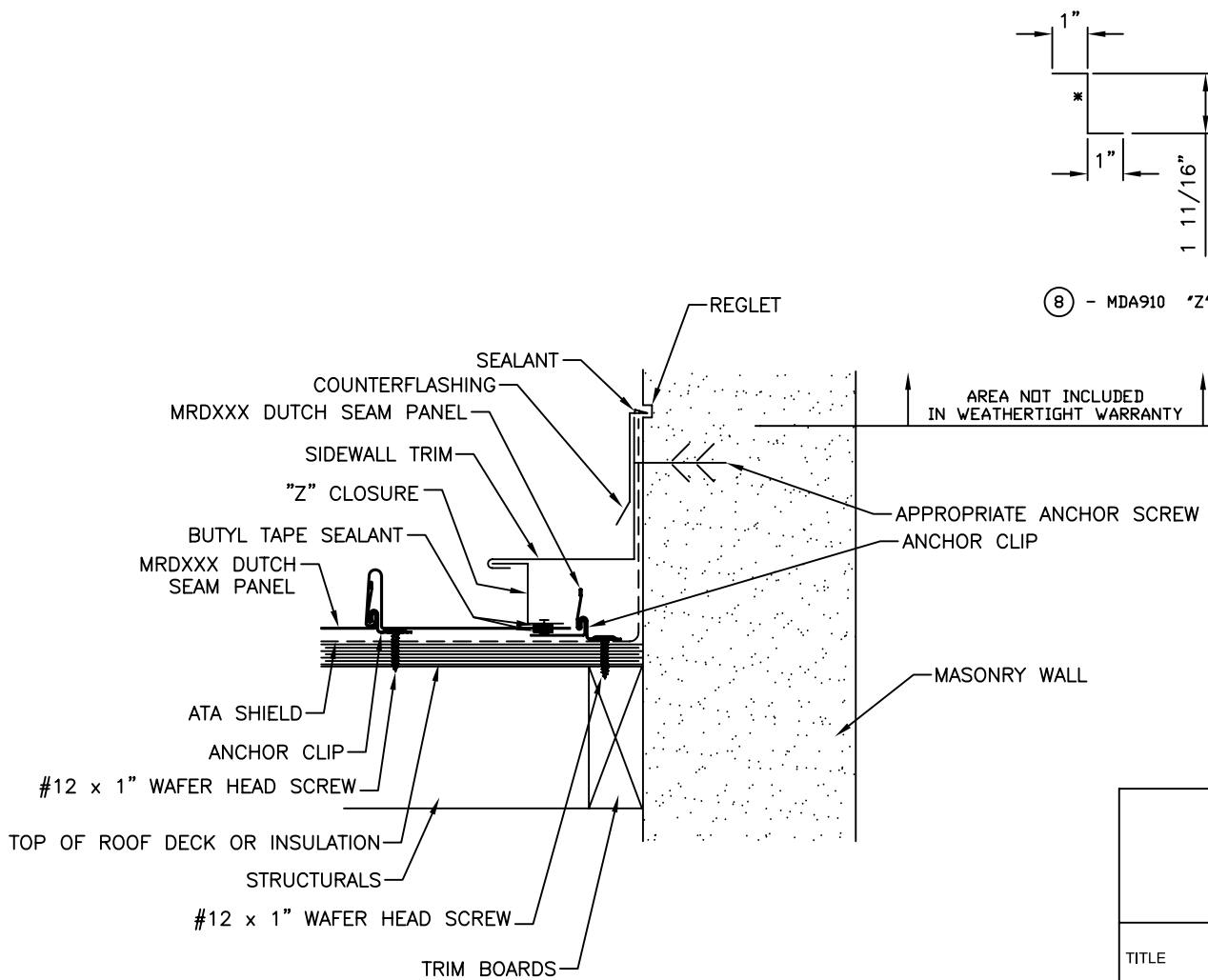
⑩ - MDA211 GABLE/RAKE STARTER CLEAT



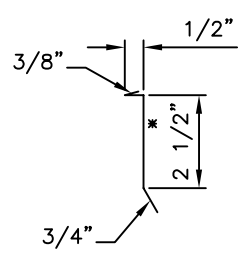
ATAS INTERNATIONAL, INC.
 Allentown PA
 610-395-8445
 Mesa AZ
 480-558-7210

TITLE		MRD Ending Gable - Ply						
DWG NO. / FILE NO.		MRD Ending Gable - Ply				SCALE		3"=1'-0"
DRAWN BY	DAS	DATE	3-6-06	APPR. BY	JEB	DATE	5-31-06	
REVISION NO.	XXXX	REVISION DATE	MM/DD/YY	APPR. BY	XXXX	APPR. DATE	MM/DD/YY	

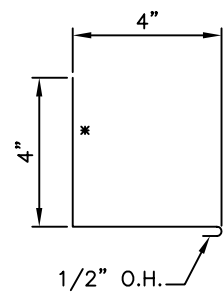
Rev. No.	Revision Date	Drawn By	Description of Revision
0	5-31-06	DAS	MRD Ending Gable - Ply



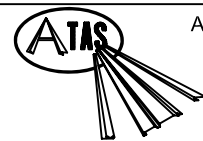
⑧ - MDA910 'Z' CLOSURE



②② - MDA980 COUNTERFLASHING



②③ - MDA410 SIDEWALL TRIM

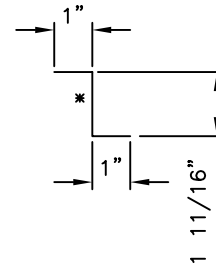
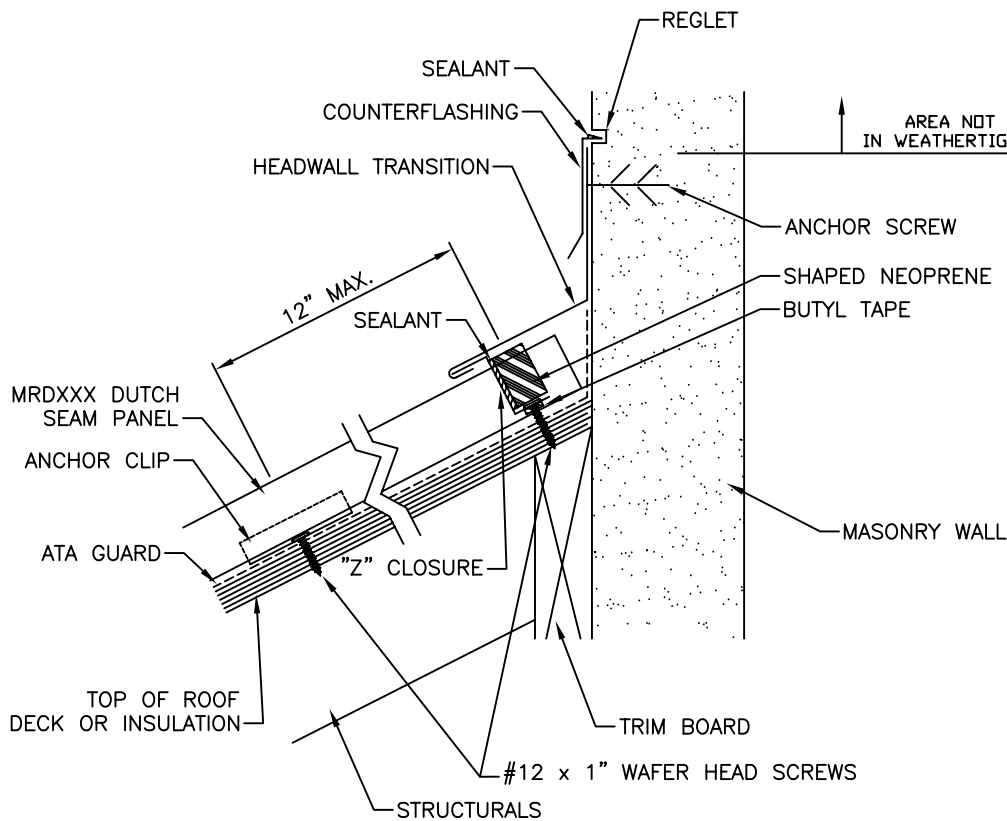


ATAS INTERNATIONAL, INC.
 Allentown PA
 610-395-8445
 Mesa AZ
 480-558-7210

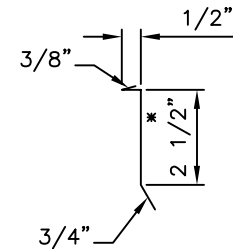
TITLE		MRD Ending Rake Sidewall - Ply					
DWG NO. / FILE NO.		MRD Ending Rake Sidewall - Ply				SCALE	3"=1'-0"
DRAWN BY	DAS	DATE	3-6-06	APPR. BY	JEB	DATE	5-31-06
REVISION NO.	XXXX	REVISION DATE	MM/DD/YY	APPR. BY	XXXX	APPR. DATE	MM/DD/YY

Rev. No.	Revision Date	Drawn By	Description of Revision
0	5-31-06	DAS	MRD Ending Rake Sidewall - Ply

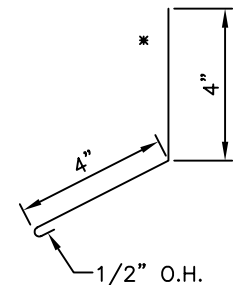
Rev. No.	Revision Date	Drawn By	Description of Revision
0	5-31-06	DAS	MRD Ending Rake Sidewall - Ply



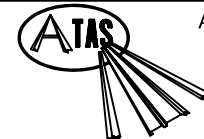
⑧ - MDA910 'Z' CLOSURE



②② - MDA980 COUNTERFLASHING



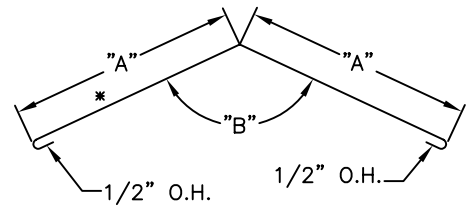
②⑤ - MDA500 HEADWALL TRANSITION



ATAS INTERNATIONAL, INC.
 Allentown PA
 610-395-8445
 Mesa AZ
 480-558-7210

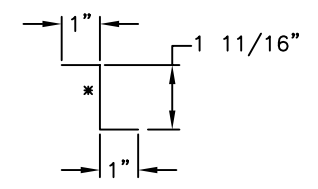
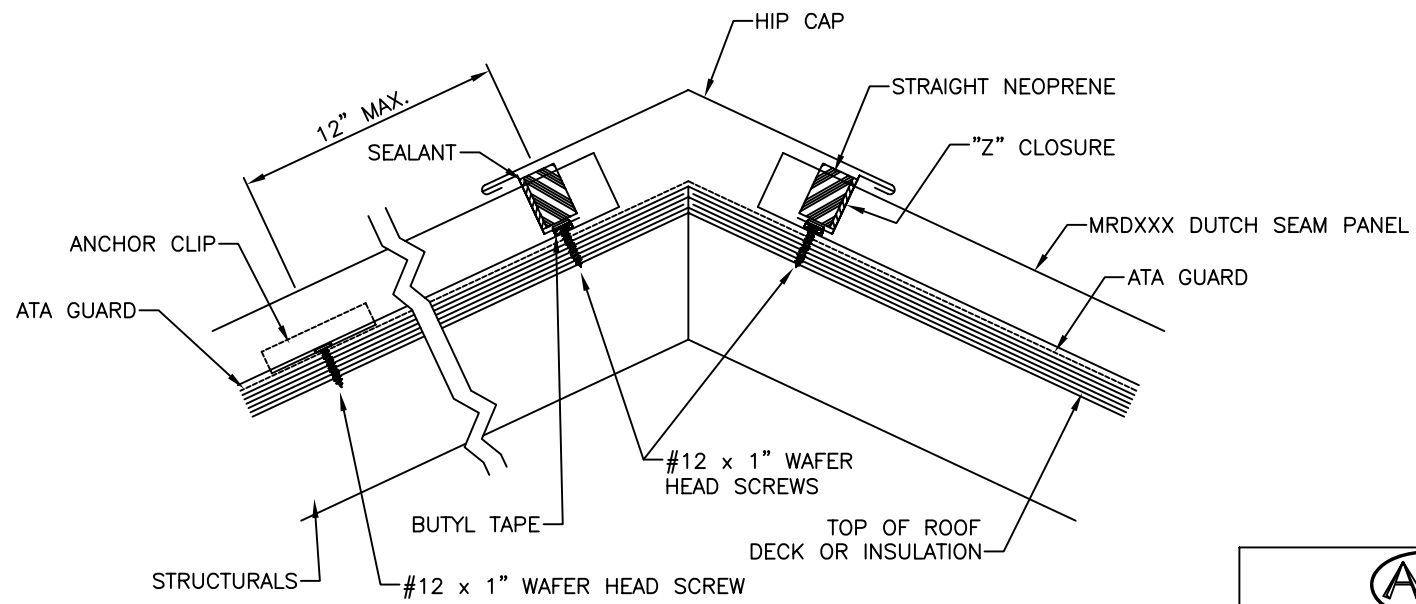
TITLE		MRD Headwall - Ply						
DWG NO. / FILE NO.		MRD Headwall - Ply				SCALE		3"=1'-0"
DRAWN BY	DAS	DATE	3-6-06	APPR. BY	JEB	DATE	5-31-06	
REVISION NO.	XXXX	REVISION DATE	MM/DD/YY	APPR. BY	XXXX	APPR. DATE	MM/DD/YY	

Rev. No.	Revision Date	Drawn By	Description of Revision
0	5-31-06	DAS	MRD Headwall - Ply

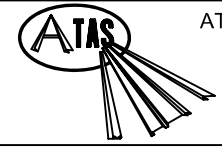


⑫ - MDA315 HIP CAP

DIM. "A" AND ANGLE "B" TO BE SPECIFIED BY CUSTOMER OR FURNISH ATAS WITH THE ROOF SLOPES INVOLVED.



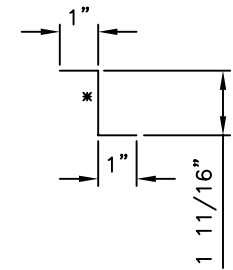
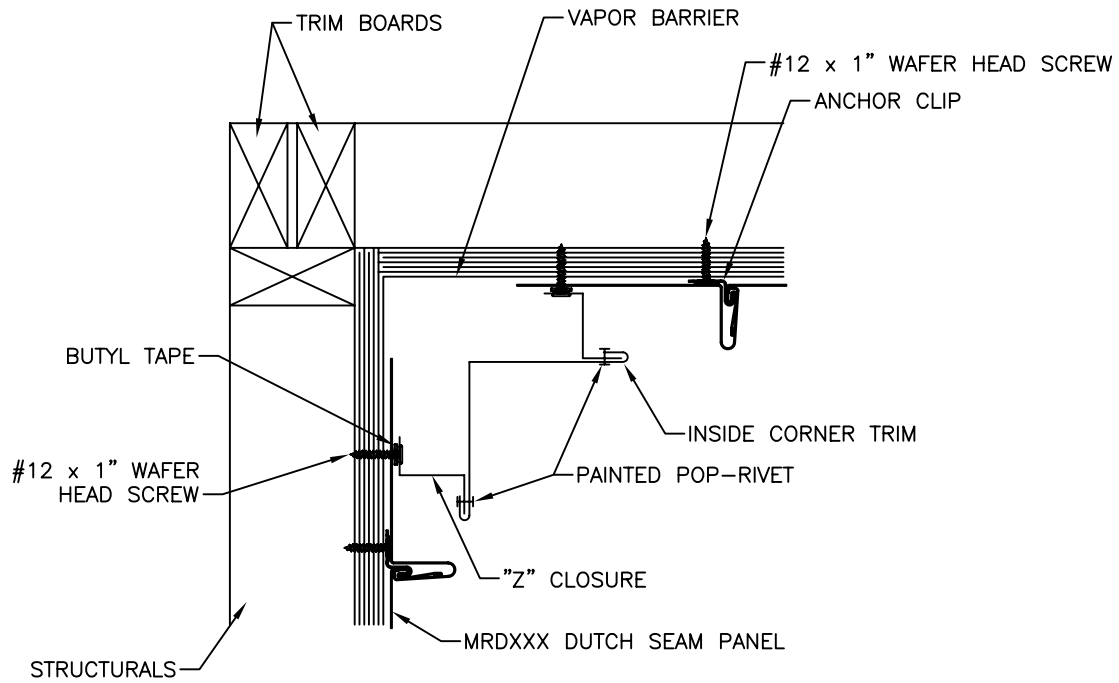
⑧ - MDA910 "Z" CLOSURE



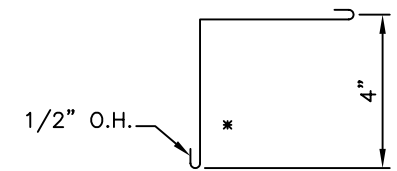
ATAS INTERNATIONAL, INC.
 Allentown PA
 610-395-8445
 Mesa AZ
 480-558-7210

TITLE		MRD Hip - Ply					
DWG NO. / FILE NO.		MRD Hip - Ply				SCALE	3"=1'-0"
DRAWN BY	DAS	DATE	3-6-06	APPR. BY	JEB	DATE	5-31-06
REVISION NO.	XXXX	REVISION DATE	MM/DD/YY	APPR. BY	XXXX	APPR. DATE	MM/DD/YY

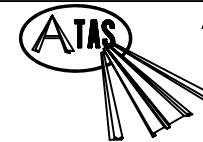
Rev. No.	Revision Date	Drawn By	Description of Revision
0	5-31-06	DAS	MRD Hip - Ply



⑧ - MDA910 "Z" CLOSURE



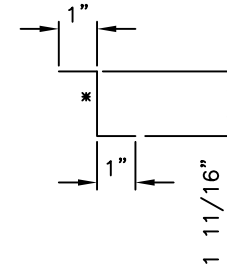
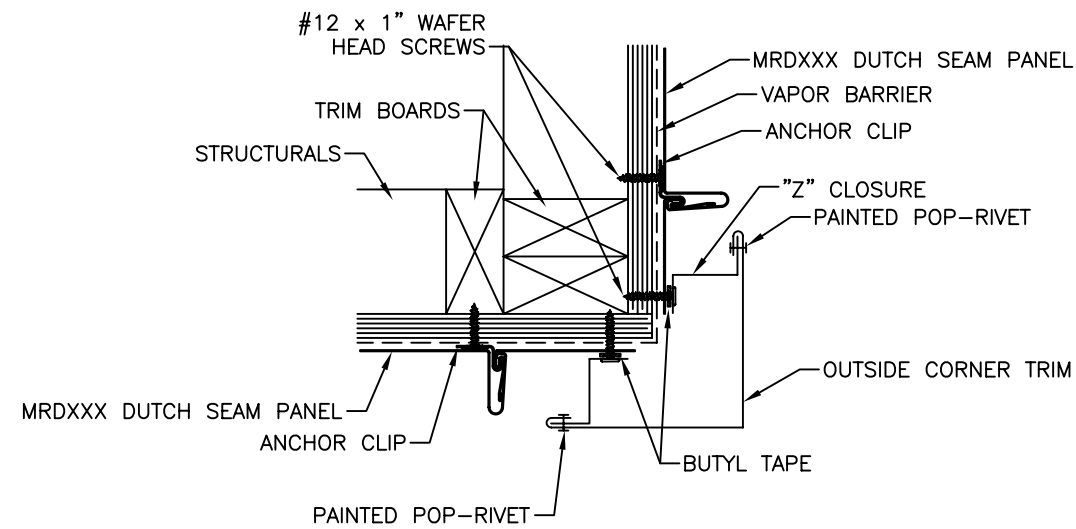
③① - MDA600 INSIDE CORNER TRIM



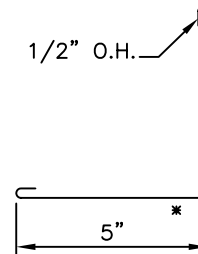
ATAS INTERNATIONAL, INC.
 Allentown PA
 610-395-8445
 Mesa AZ
 480-558-7210

TITLE		MRD Inside Corner - Ply					
DWG NO. / FILE NO.		MRD Inside Corner - Ply				SCALE	3"=1'-0"
DRAWN BY	DAS	DATE	3-6-06	APPR. BY	JEB	DATE	5-31-06
REVISION NO.	XXXX	REVISION DATE	MM/DD/YY	APPR. BY	XXXX	APPR. DATE	MM/DD/YY

Rev. No.	Revision Date	Drawn By	Description of Revision
0	5-31-06	DAS	MRD Inside Corner - Ply

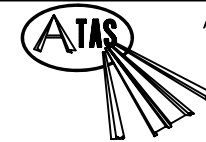


⑧ - MDA910 "Z" CLOSURE



③① - MDA610 OUTSIDE CORNER TRIM

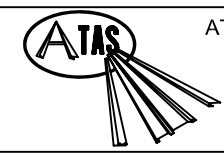
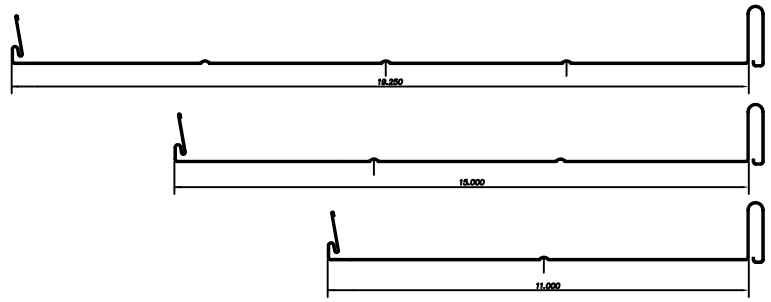
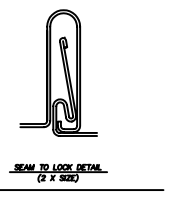
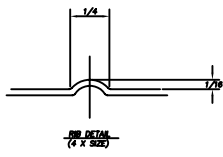
Note: The 5" face dimension may vary to equal the hip cap.



ATAS INTERNATIONAL, INC.
 Allentown PA
 610-395-8445
 Mesa AZ
 480-558-7210

TITLE		MRD Outside Corner - Ply					
DWG NO. / FILE NO.		MRD Outside Corner - Ply				SCALE	3"=1'-0"
DRAWN BY	DAS	DATE	3-6-06	APPR. BY	JEB	DATE	5-31-06
REVISION NO.	XXXX	REVISION DATE	MM/DD/YY	APPR. BY	XXXX	APPR. DATE	MM/DD/YY

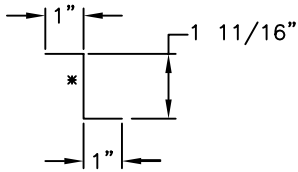
Rev. No.	Revision Date	Drawn By	Description of Revision
0	5-31-06	DAS	MRD Outside Corner - Ply



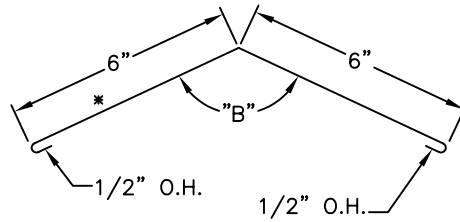
ATAS INTERNATIONAL, INC.
 Allentown PA
 610-395-8445
 Mesa AZ
 480-558-7210

TITLE		MRD Profile					
DWG NO. / FILE NO.		MRD Profile				SCALE	3"=1'-0"
DRAWN BY	DAS	DATE	3-6-06	APPR. BY	JEB	DATE	3-6-06
REVISION NO.	XXXX	REVISION DATE	MM/DD/YY	APPR. BY	XXXX	APPR. DATE	MM/DD/YY

Rev. No.	Revision Date	Drawn By	Description of Revision
0	3-6-06	DAS	MRD Profile

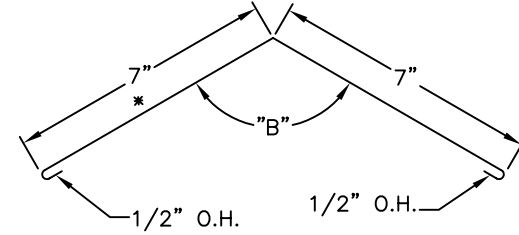


⑧ - MDA910 "Z" CLOSURE



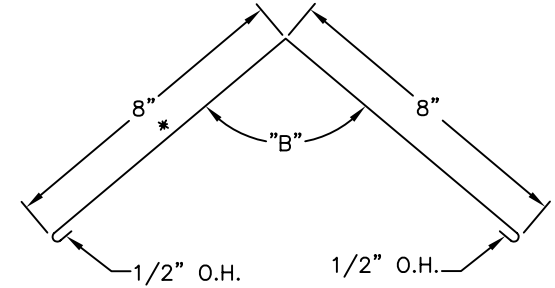
⑪ - MDA301 RIDGE CAP

Roof slopes 3/12 to 6/12
Ridge splice to match ridge cap 6' long each: MDA311



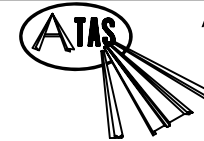
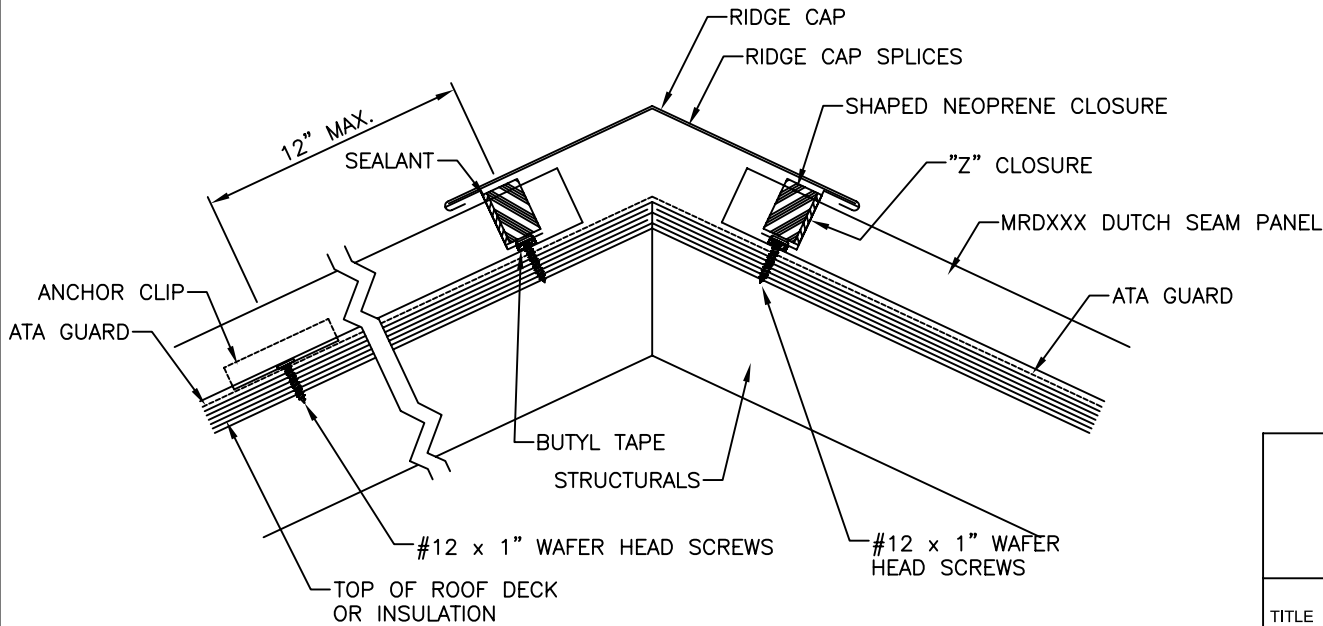
⑪ - MDA302 RIDGE CAP

Roof slopes 6/12 to 9/12
Ridge splice to match ridge cap 6' long each: MDA312



⑪ - MDA303 RIDGE CAP

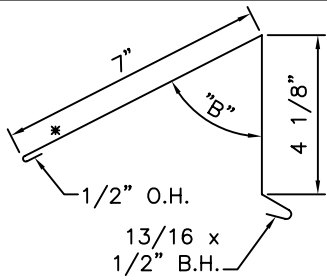
Roof slopes 9/12 to 12/12
Ridge splice to match ridge cap 6' long each: MDA313



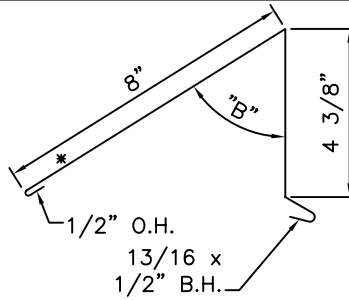
ATAS INTERNATIONAL, INC.
Allentown PA
610-395-8445
Mesa AZ
480-558-7210

TITLE								MRD Ridge - Ply				
DWG NO. / FILE NO.				MRD Ridge - Ply				SCALE				3"=1'-0"
DRAWN BY	DAS	DATE	3-6-06	APPR. BY	JEB	DATE	5-31-06					
REVISION NO.	XXXX	REVISION DATE	MM/DD/YY	APPR. BY	XXXX	APPR. DATE	MM/DD/YY					

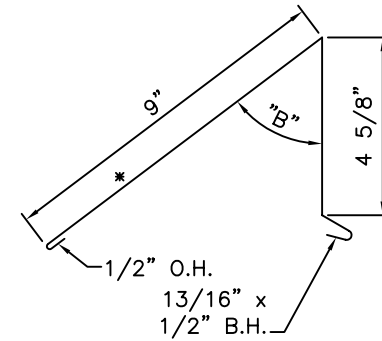
Rev. No.	Revision Date	Drawn By	Description of Revision
0	5-31-06	DAS	MRD Ridge - Ply



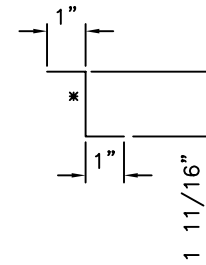
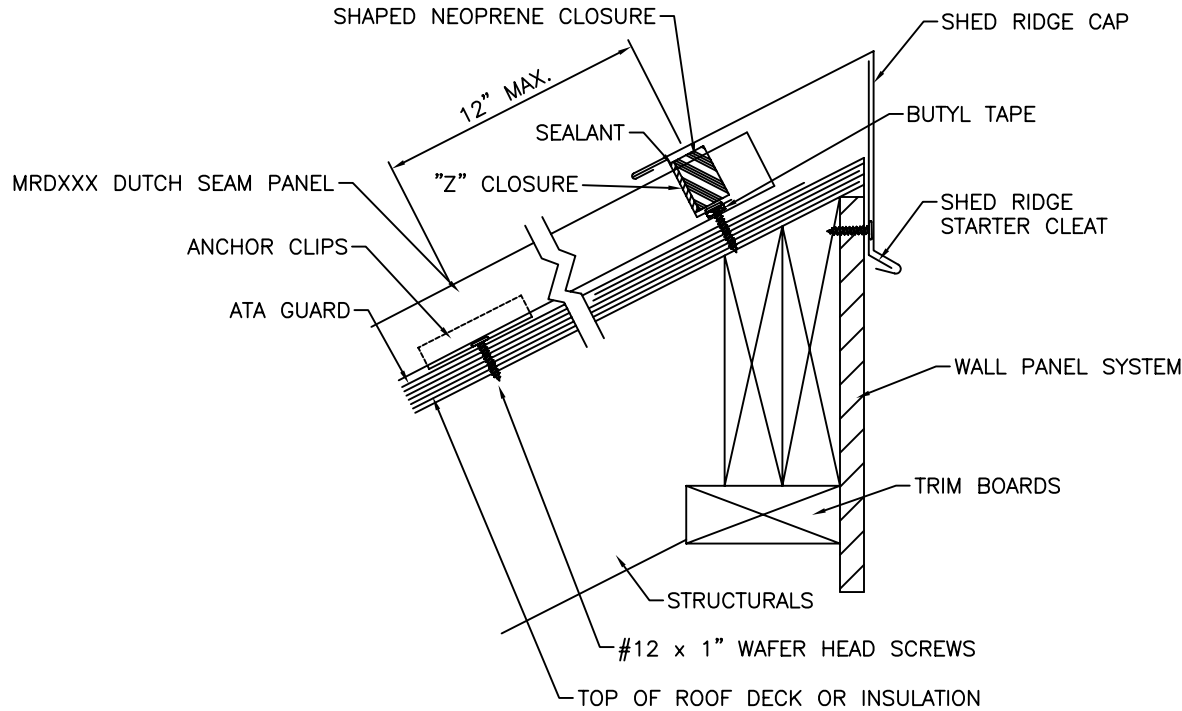
⑰ - SHED RIDGE
 MDA342- Roof Slopes 3/12+ to 6/12
 Ridge splice to match ridge cap @ 6' long each; MDA343



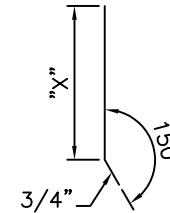
⑰ - SHED RIDGE
 MDA344 - Roof Slopes 6/12+ to 9/12
 Ridge splice to match ridge cap @ 6' long each; MDA345



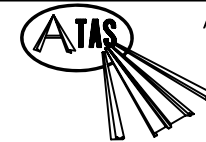
⑰ - SHED RIDGE
 MDA346 - Roof Slopes 9/12+ to 12/12
 Ridge splice to match ridge cap @ 6' long each; MDA347



⑧ - MDA910 'Z' CLOSURE



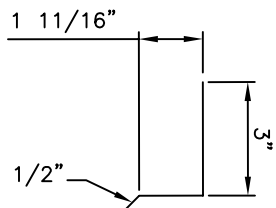
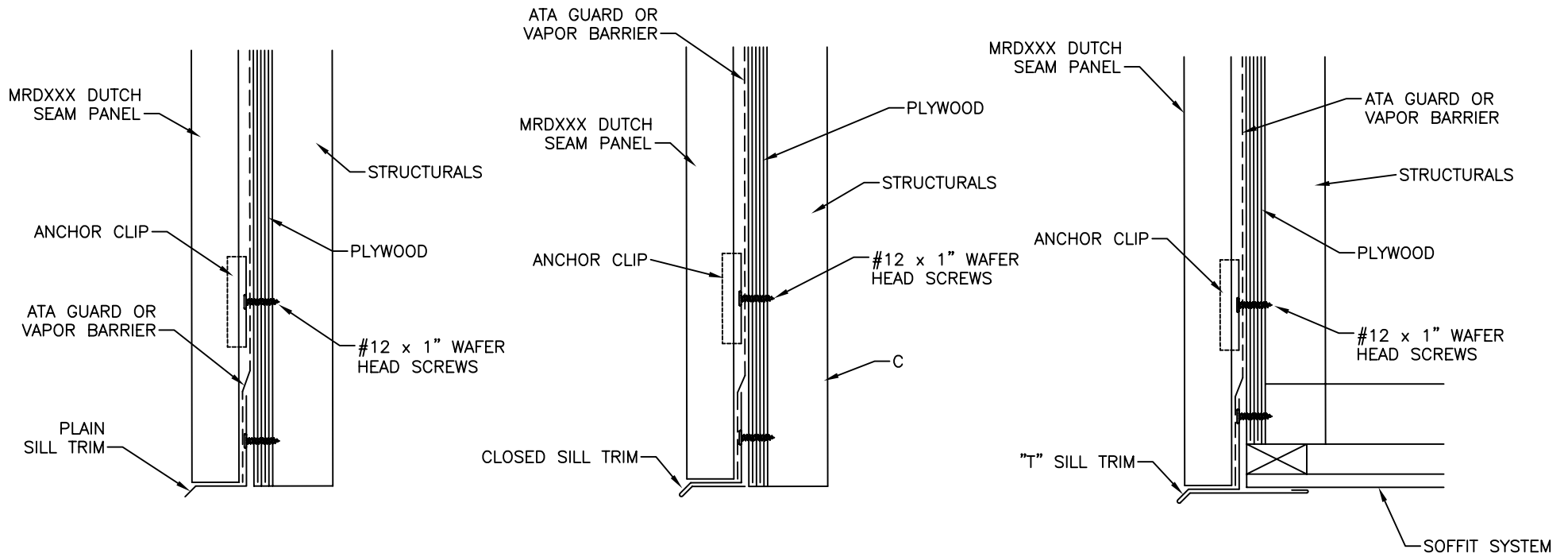
⑱ - MDA348 SHED RIDGE STARTER CLEAT
 Note: This part furnished in either 24 ga. steel or .032 aluminum. No specific color.
 Dimension 'X' is equal to the chosen #17's dimension 'C' minus 1/8'.



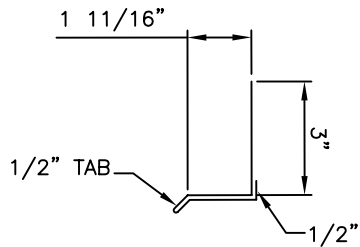
ATAS INTERNATIONAL, INC.
 Allentown PA
 610-395-8445
 Mesa AZ
 480-558-7210

TITLE		MRD Shed Ridge - Ply					
DWG NO. / FILE NO.		MRD Shed Ridge - Ply				SCALE	3"=1'-0"
DRAWN BY	DAS	DATE	3-6-06	APPR. BY	JEB	DATE	5-31-06
REVISION NO.	XXXX	REVISION DATE	MM/DD/YY	APPR. BY	XXXX	APPR. DATE	MM/DD/YY

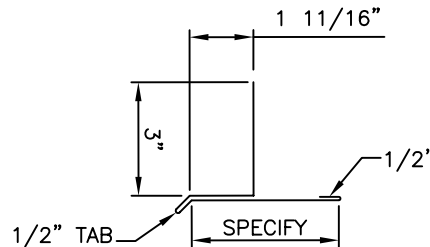
Rev. No.	Revision Date	Drawn By	Description of Revision
0	5-31-06	DAS	MRD Shed Ridge - Ply



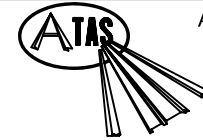
32 - MDA660 SILL TRIM - PLAIN



33 - MDA661 CLOSED SILL TRIM



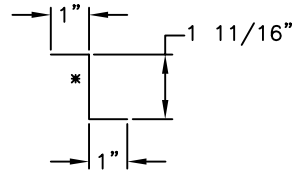
34 - MDA662 'T' SILL TRIM



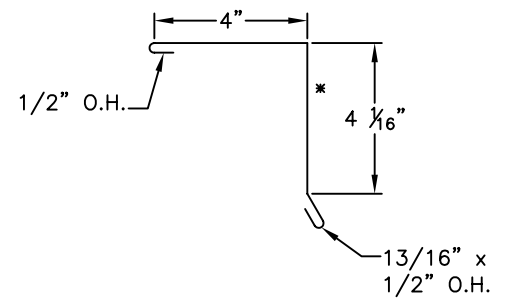
ATAS INTERNATIONAL, INC.
 Allentown PA
 610-395-8445
 Mesa AZ
 480-558-7210

TITLE								MRD Sill Trims - Ply			
DWG NO. / FILE NO.				MRD Sill Trims - Ply				SCALE		3"=1'-0"	
DRAWN BY		DAS		DATE		3-6-06		APPR. BY		JEB	
REVISION NO.		XXXX		REVISION DATE		MM/DD/YY		APPR. BY		XXXX	
DATE		MM/DD/YY		APPR. DATE		MM/DD/YY		DATE		5-31-06	

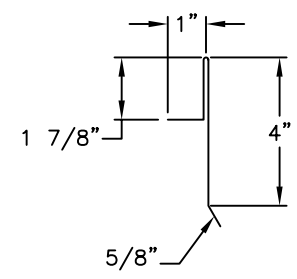
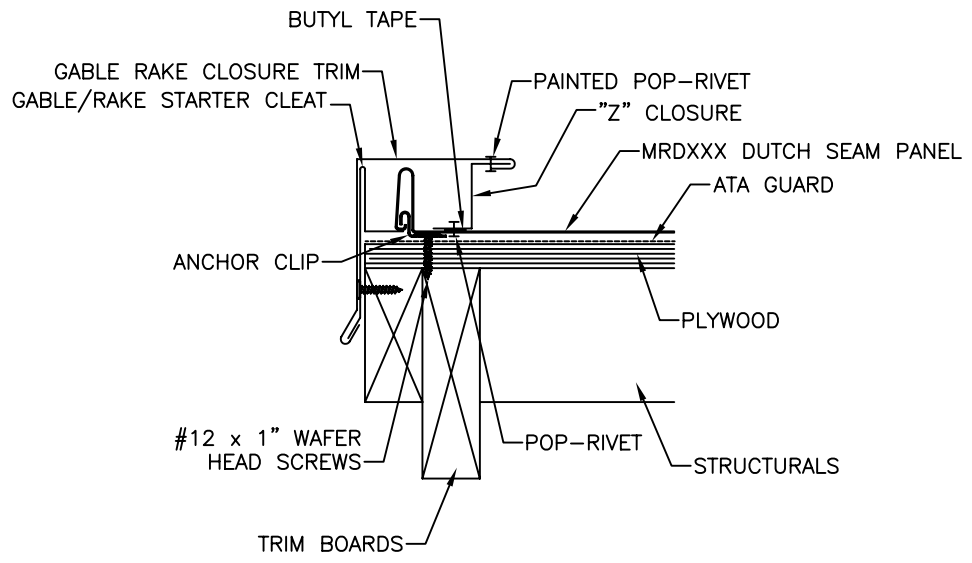
Rev. No.	Revision Date	Drawn By	Description of Revision
0	5-31-06	DAS	MRD Sill Trims - Ply



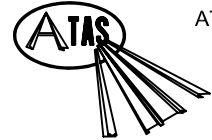
⑧ - MDA910 "Z" CLOSURE



⑨ - MDA210 GABLE/RAKE TRIM



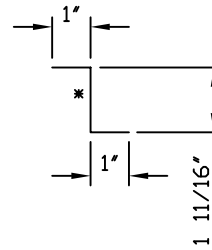
⑩ - MDA211 GABLE/RAKE STARTER CLEAT



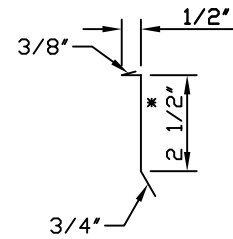
ATAS INTERNATIONAL, INC.
 Allentown PA
 610-395-8445
 Mesa AZ
 480-558-7210

TITLE		MRD Starting Gable - Ply					
DWG NO. / FILE NO.		MRD Starting Gable - Ply				SCALE	3"=1'-0"
DRAWN BY	DAS	DATE	3-6-06	APPR. BY	JEB	DATE	5-31-06
REVISION NO.	XXXX	REVISION DATE	MM/DD/YY	APPR. BY	XXXX	APPR. DATE	MM/DD/YY

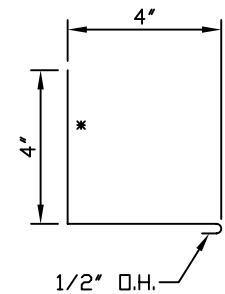
Rev. No.	Revision Date	Drawn By	Description of Revision
0	5-31-06	DAS	MRD Starting Gable - Ply



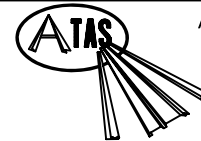
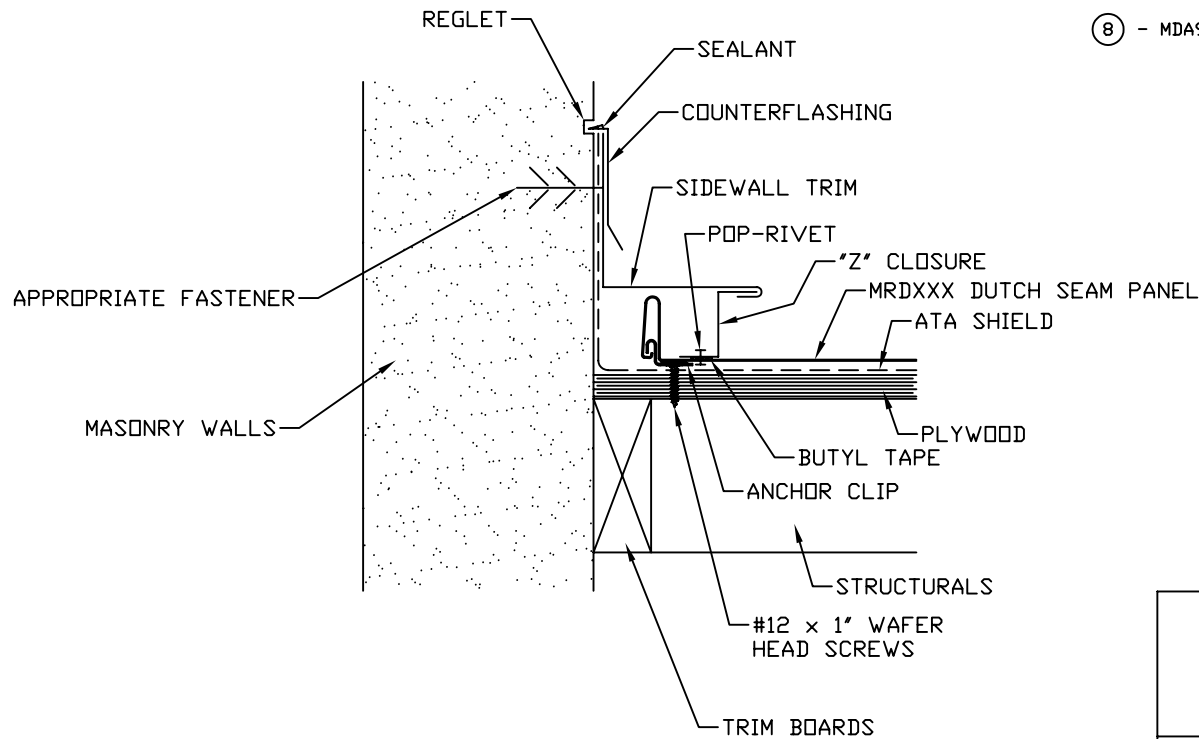
⑧ - MDA910 'Z' CLOSURE



②② - MDA980 COUNTERFLASHING



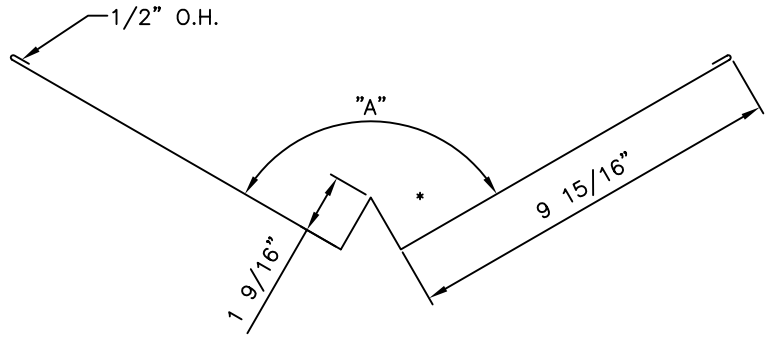
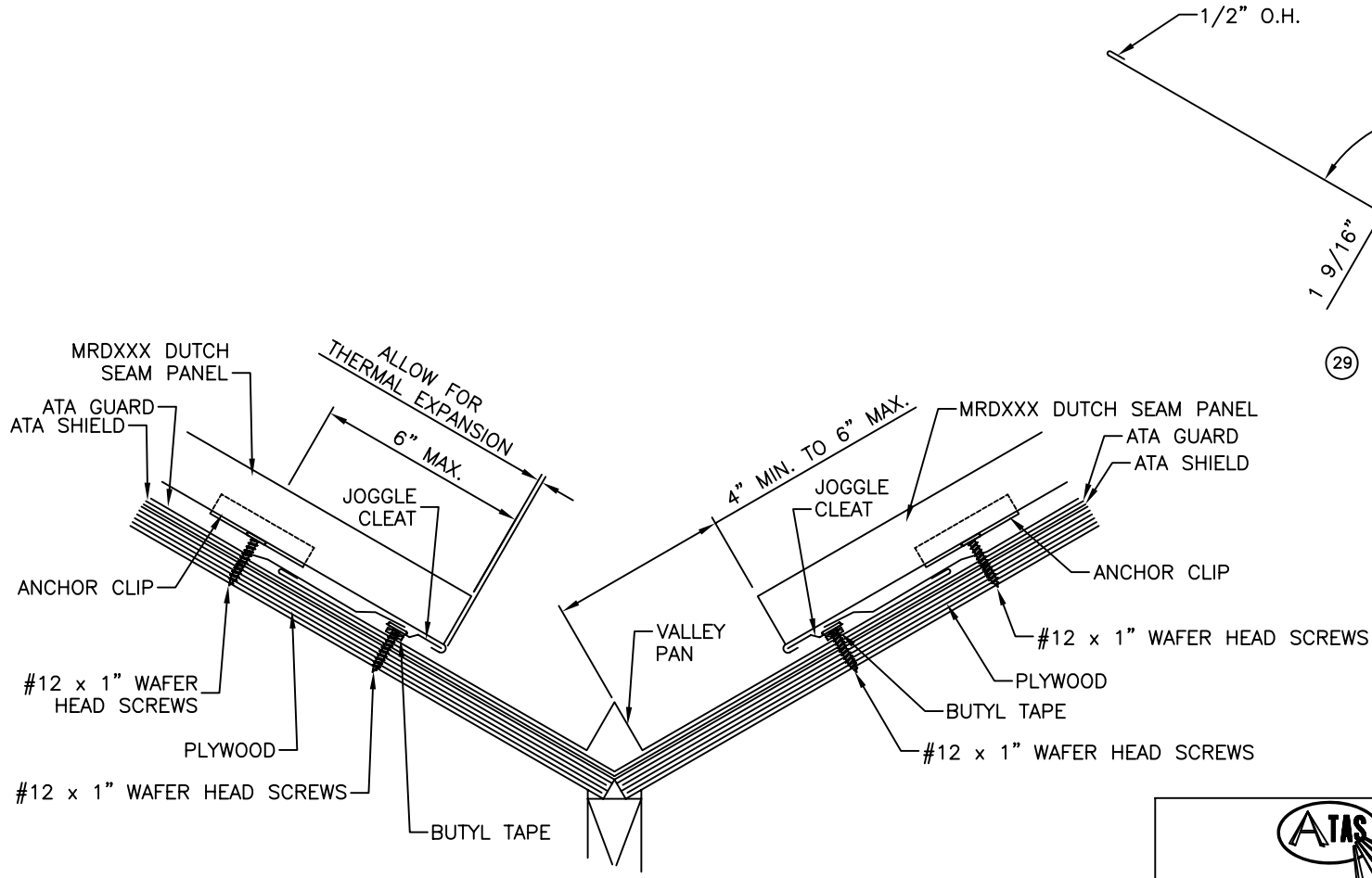
②③ - MDA410 SIDEWALL TRIM



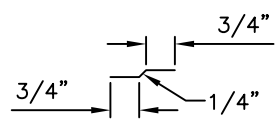
ATAS INTERNATIONAL, INC.
 Allentown PA
 610-395-8445
 Mesa AZ
 480-558-7210

TITLE		MRD Starting Rake Sidewall - Ply			
DWG NO. / FILE NO.		MRD Starting Rake Sidewall - Ply		SCALE	3"=1'-0"
DRAWN BY	DAS	DATE	3-6-06	APPR. BY	JEB
REVISION NO.	XXXX	REVISION DATE	MM/DD/YY	APPR. BY	XXXX
				DATE	5-31-06
				DATE	MM/DD/YY

Rev. No.	Revision Date	Drawn By	Description of Revision
0	5-31-06	DAS	MRD Starting Rake Sidewall - Ply

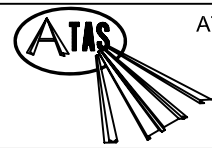


(29) - MDA800 VALLEY PAN



(28) - MDA975 JOGGLE CLEAT

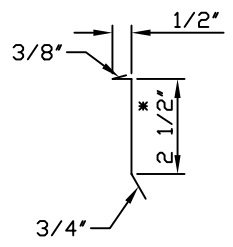
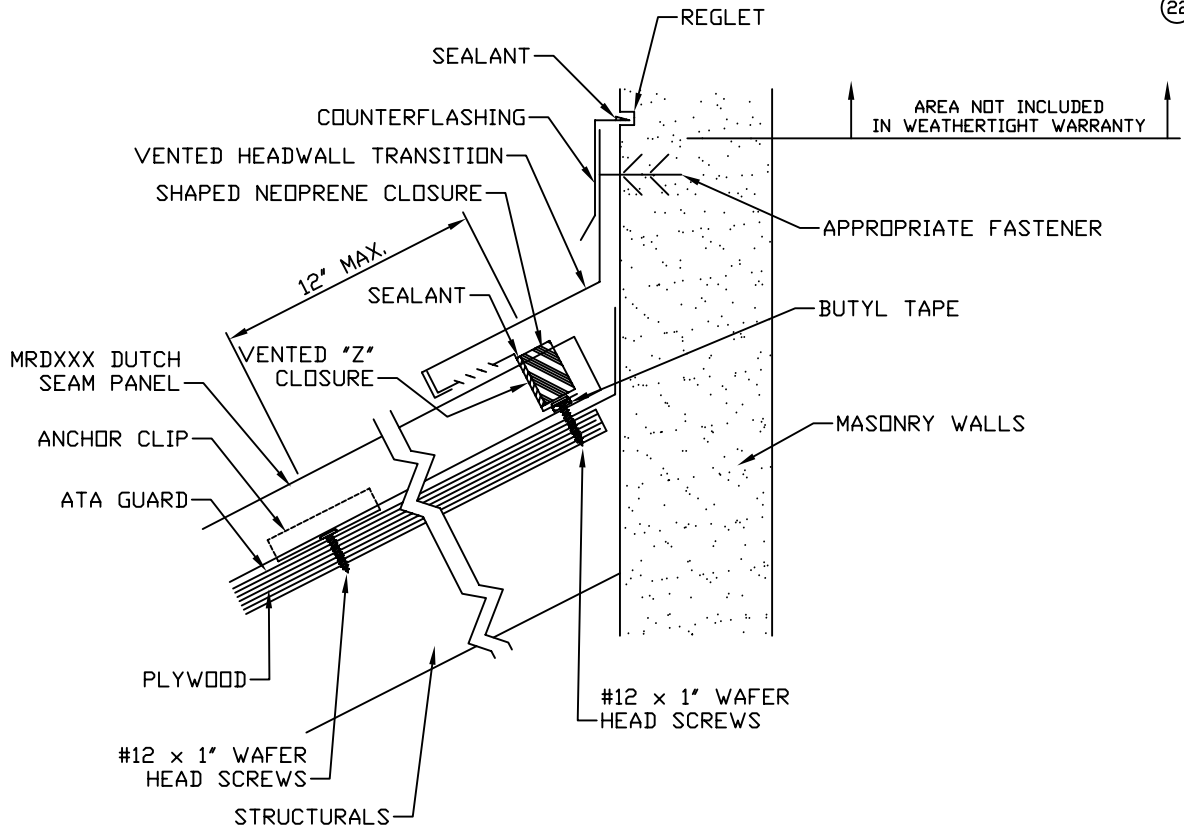
Will be furnished in either 24 ga. steel or .032 aluminum. No particular color.



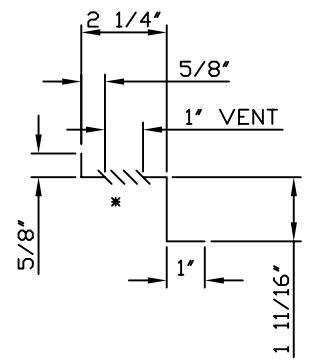
ATAS INTERNATIONAL, INC.
 Allentown PA
 610-395-8445
 Mesa AZ
 480-558-7210

TITLE		MRD Valley - Ply					
DWG NO. / FILE NO.		MRD Valley - Ply				SCALE	3"=1'-0"
DRAWN BY	DAS	DATE	3-6-06	APPR. BY	JEB	DATE	5-31-06
REVISION NO.	XXXX	REVISION DATE	MM/DD/YY	APPR. BY	XXXX	APPR. DATE	MM/DD/YY

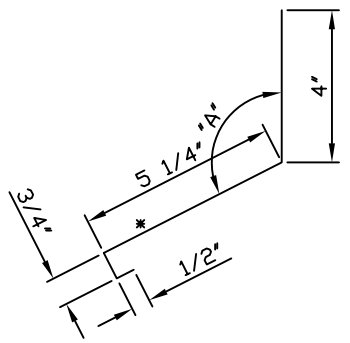
Rev. No.	Revision Date	Drawn By	Description of Revision
0	5-31-06	DAS	MRD Valley - Ply



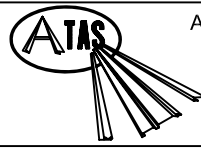
(22) - MDA980 COUNTERFLASHING



(16) - MDA911 - VENTED 'Z' CLOSURE



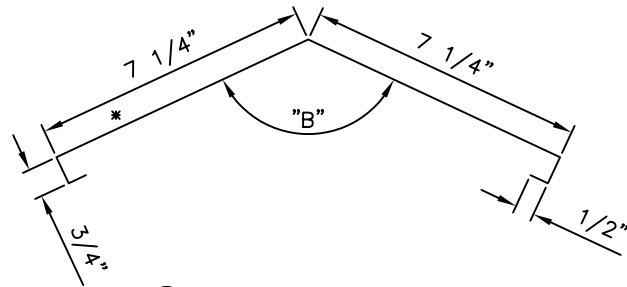
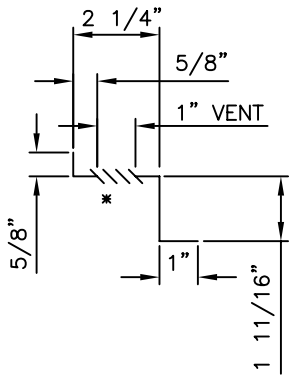
(26) - MDA510 HEADWALL TRANSITION - VENTED



ATAS INTERNATIONAL, INC.
 Allentown PA
 610-395-8445
 Mesa AZ
 480-558-7210

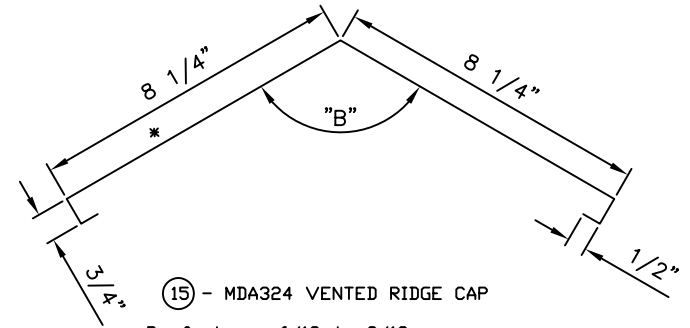
TITLE		MRD Vented Headwall - Ply					
DWG NO. / FILE NO.		MRD Vented Headwall - Ply				SCALE 3"=1'-0"	
DRAWN BY	DAS	DATE	3-6-06	APPR. BY	JEB	DATE	5-31-06
REVISION NO.	XXXX	REVISION DATE	MM/DD/YY	APPR. BY	XXXX	APPR. DATE	MM/DD/YY

Rev. No.	Revision Date	Drawn By	Description of Revision
0	5-31-06	DAS	MRD Vented Headwall - Ply



⑮ - MDA322 VENTED RIDGE CAP

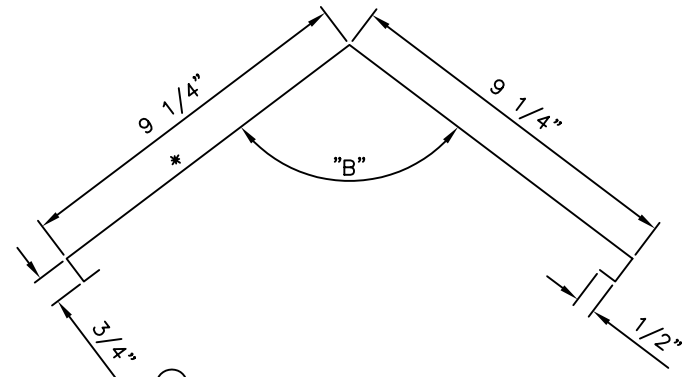
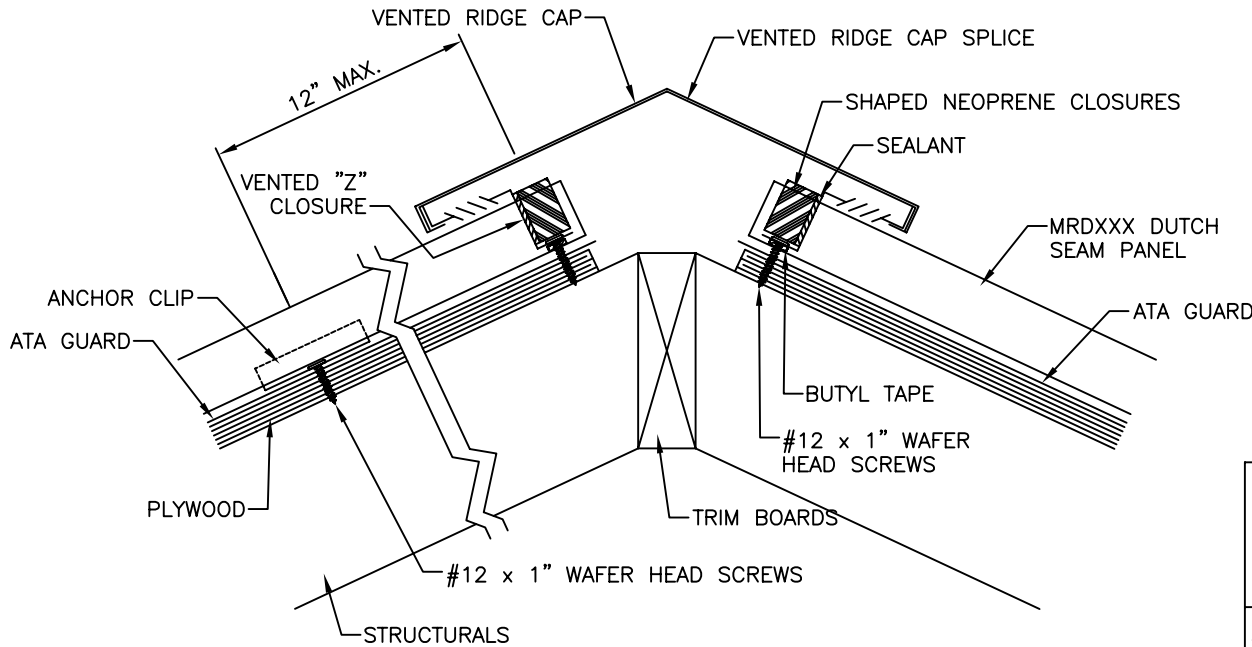
Roof slopes 3/12 to 6/12
Ridge splice to match ridge cap 6' long each; MDA323



⑮ - MDA324 VENTED RIDGE CAP

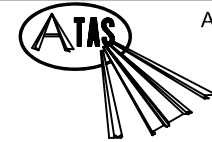
Roof slopes 6/12 to 9/12
Ridge splice to match ridge cap 6' long each; MDA325

⑯ - MDA911 - VENTED 'Z' CLOSURE



⑮ - MDA326 VENTED RIDGE CAP

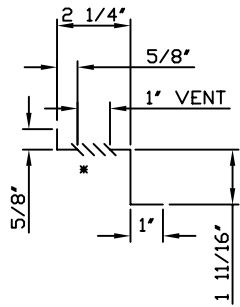
Roof slopes 9/12 to 12/12
Ridge splice to match ridge cap 6' long each; MDA327



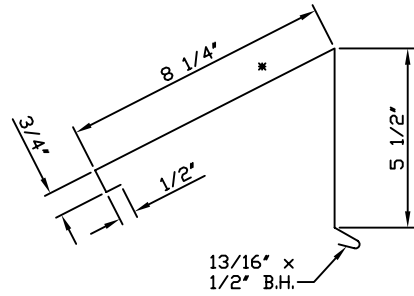
ATAS INTERNATIONAL, INC.
Allentown PA
610-395-8445
Mesa AZ
480-558-7210

TITLE		MRD Vented Ridge - Ply					
DWG NO. / FILE NO.		MRD Vented Ridge - Ply				SCALE	3"=1'-0"
DRAWN BY	DAS	DATE	3-6-06	APPR. BY	JEB	DATE	5-31-06
REVISION NO.	XXXX	REVISION DATE	MM/DD/YY	APPR. BY	XXXX	APPR. DATE	MM/DD/YY

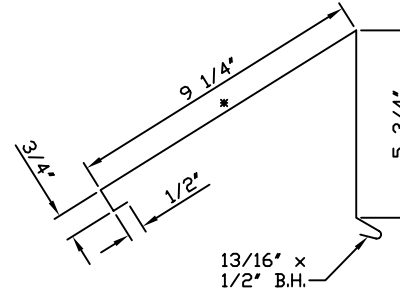
Rev. No.	Revision Date	Drawn By	Description of Revision
0	5-31-06	DAS	MRD Vented Ridge - Ply



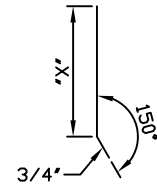
16 - MDA911 - VENTED 'Z' CLOSURE



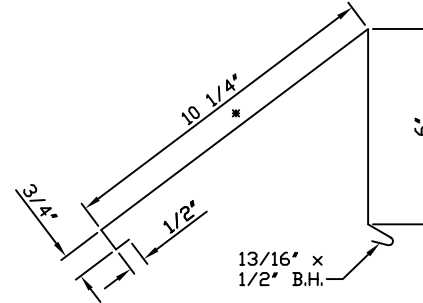
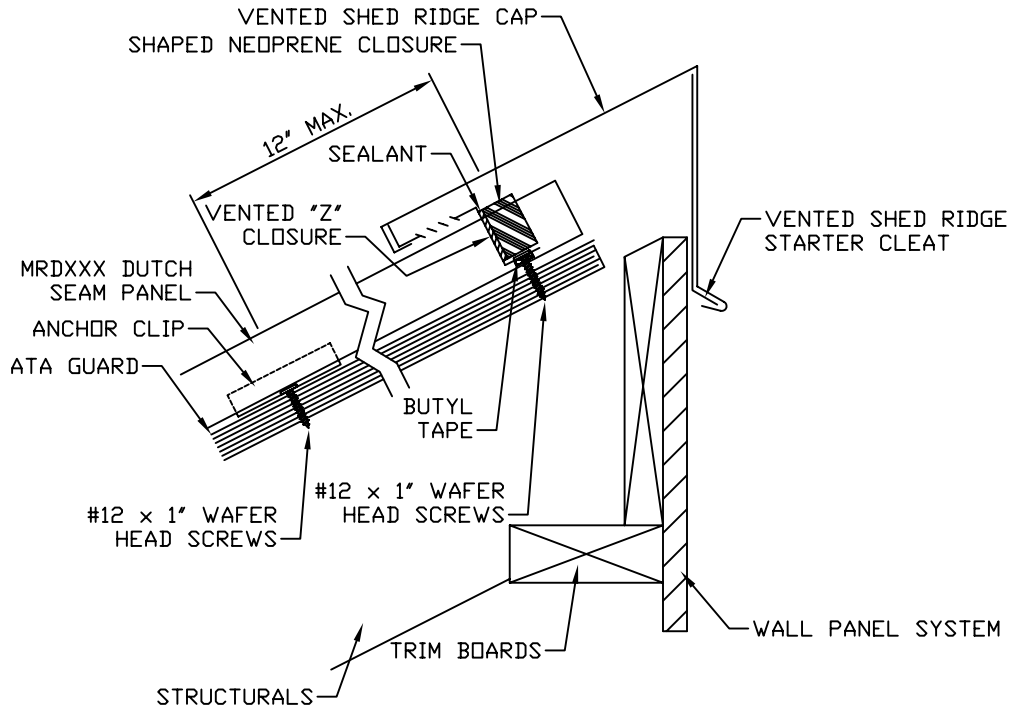
20 - MDA362 - VENTED SHED RIDGE CAP
Roof slopes 3/12+ to 6/12
Ridge splice to match ridge cap 6' long each; MDA363



20 - MDA364 - VENTED SHED RIDGE CAP
Roof slopes 6/12+ to 9/12
Ridge splice to match ridge cap 6' long each; MDA365



18 - MDA348 SHED RIDGE STARTER CLEAT
Note: This part furnished in either 24 ga. steel or .032 aluminum. No specific color.
Dimension 'X' is equal to the chosen #20's dimension 'C' minus 1/8".



20 - MDA366 - VENTED SHED RIDGE CAP
Roof slopes 9/12+ to 12/12
Ridge splice to match ridge cap 6' long each; MDA367



ATAS INTERNATIONAL, INC.
Allentown PA
610-395-8445
Mesa AZ
480-558-7210

TITLE							MRD Vented Shed Ridge - Ply		
DWG NO. / FILE NO.				MRD Vented Shed Ridge - Ply			SCALE		3"=1'-0"
DRAWN BY	DAS	DATE	3-6-06	APPR. BY	JEB	DATE	5-31-06		
REVISION NO.	XXXX	REVISION DATE	MM/DD/YY	APPR. BY	XXXX	APPR. DATE	MM/DD/YY		

Rev. No.	Revision Date	Drawn By	Description of Revision
0	5-31-06	DAS	MRD Vented Shed Ridge - Ply