

J CHANNEL (MPA012)



ATAS INTERNATIONAL, INC.
 Allentown PA
 610-395-8445
 Mesa AZ
 480-558-7210

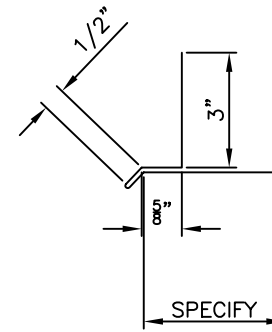
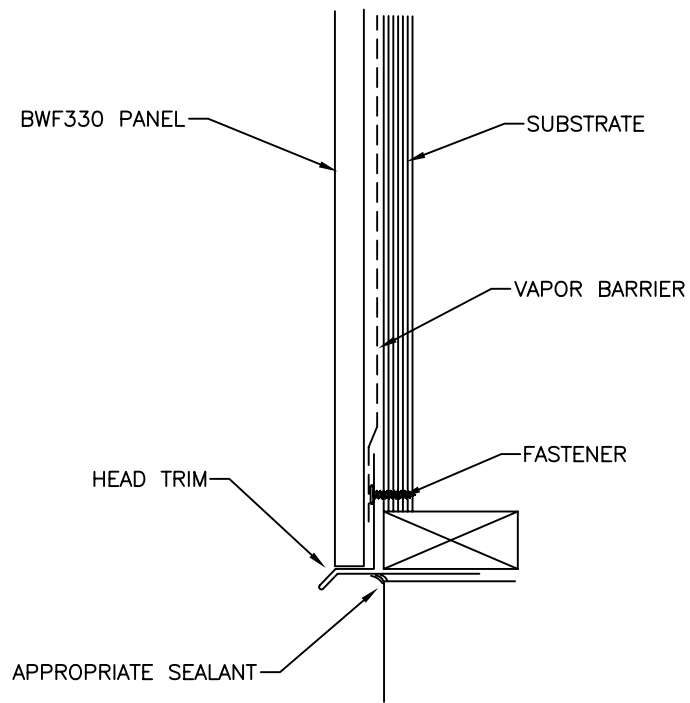
TITLE BWF330 Top Detail - panel vertical

DWG NO. / FILE NO. BWF Top Vertical SCALE 3"=1'-0"

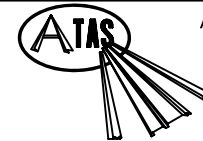
DRAWN BY LDS DATE 8-3-07 APPR. BY DAS DATE 8-3-07

REVISION NO. XXXX REVISION DATE MM/DD/YY APPR. BY XXXX APPR. DATE MM/DD/YY

Rev. No.	Revision Date	Drawn By	Description of Revision
0	8-3-07	LDS	BWF330 Top Detail - panel vertical



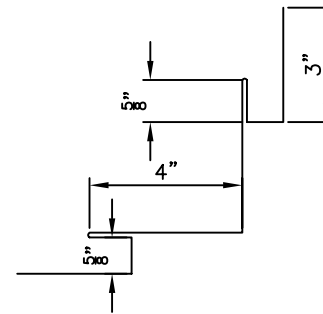
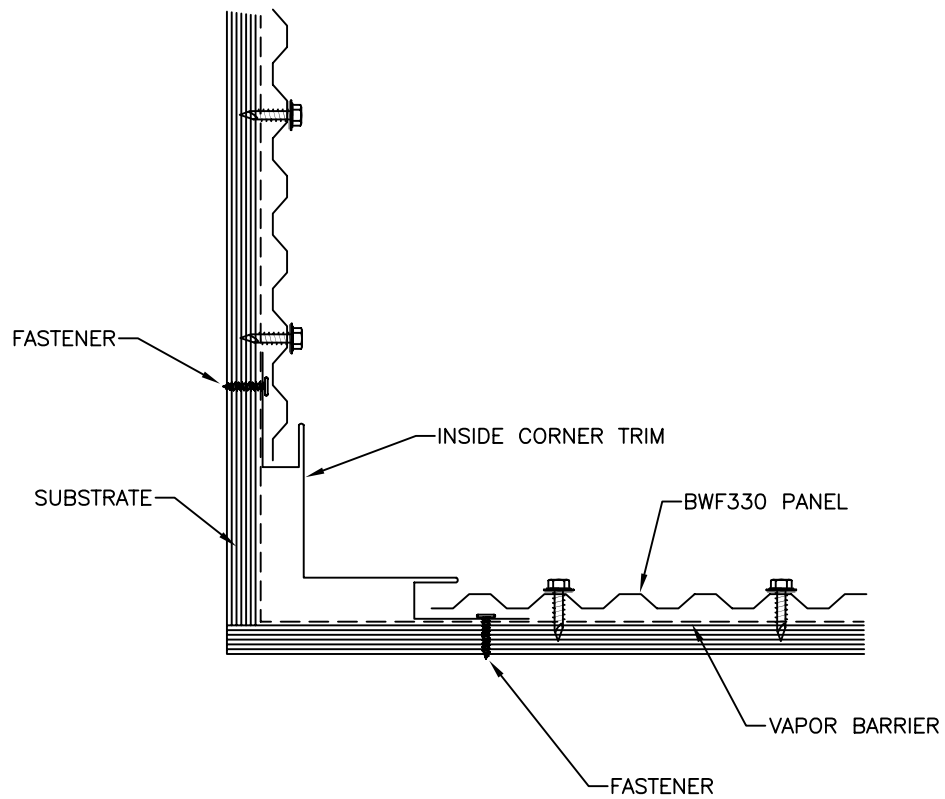
HEAD TRIM



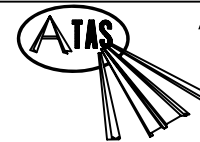
ATAS INTERNATIONAL, INC.
 Allentown PA
 610-395-8445
 Mesa AZ
 480-558-7210

TITLE		BWF330 Head Detail - panel vertical					
DWG NO. / FILE NO.		BWF Head Vertical				SCALE	3"=1'-0"
DRAWN BY	LDS	DATE	7-25-07	APPR. BY	DAS	DATE	7-25-07
REVISION NO.	XXXX	REVISION DATE	MM/DD/YY	APPR. BY	XXXX	APPR. DATE	MM/DD/YY

Rev. No.	Revision Date	Drawn By	Description of Revision
0	8-3-07	LDS	BWF330 Head Detail - panel vertical



INSIDE CORNER TRIM



ATAS INTERNATIONAL, INC.
 Allentown PA
 610-395-8445
 Mesa AZ
 480-558-7210

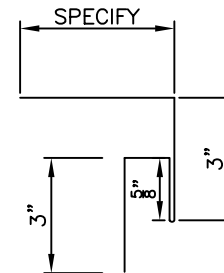
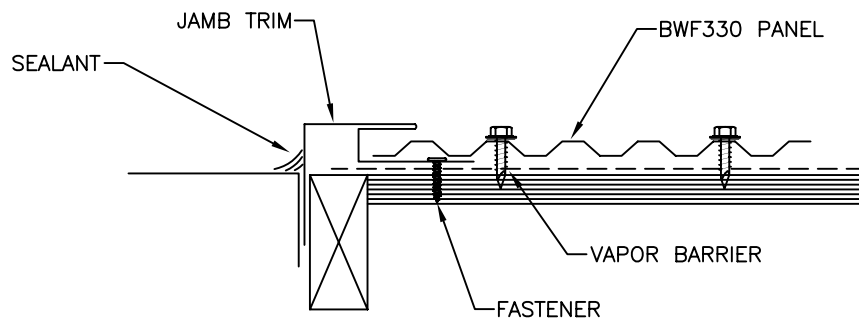
TITLE BWF330 Inside Corner - panel vertical

DWG NO. / FILE NO. BWF Inside Corner Vertical SCALE 3"=1'-0"

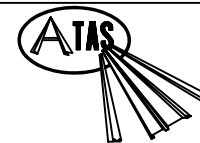
DRAWN BY LDS DATE 8-3-07 APPR. BY DAS DATE 8-3-07

REVISION NO. XXXX REVISION DATE MM/DD/YY APPR. BY XXXX DATE MM/DD/YY

Rev. No.	Revision Date	Drawn By	Description of Revision
0	8-3-07	LDS	BWF330 Inside Corner - panel vertical



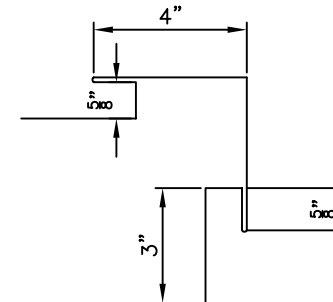
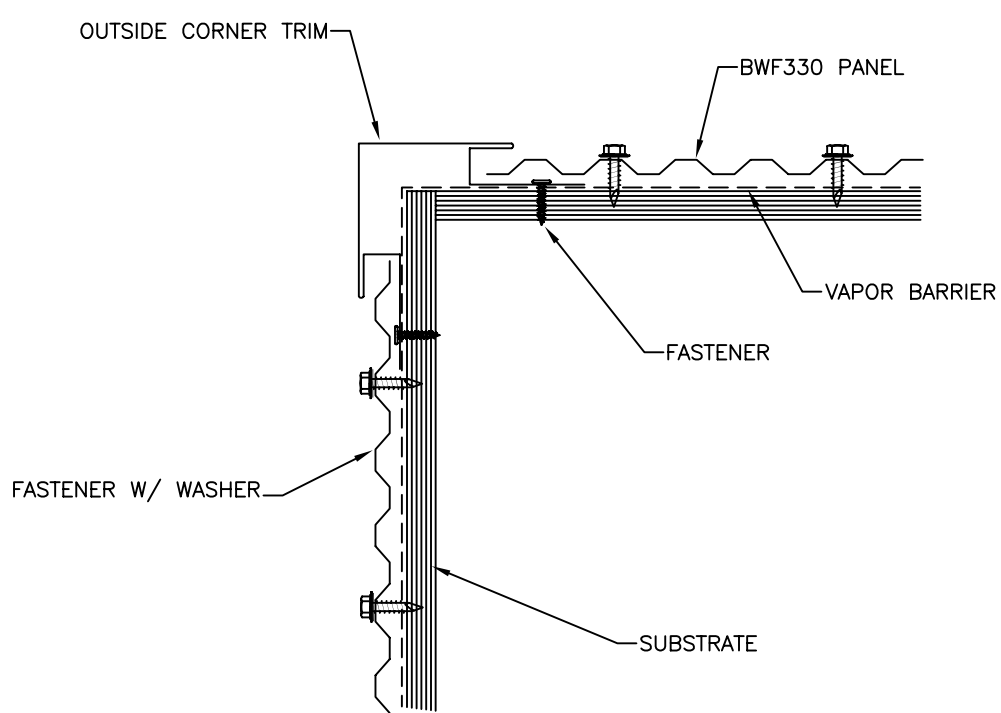
JAMB TRIM



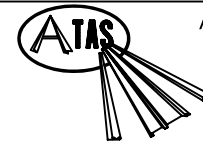
ATAS INTERNATIONAL, INC.
 Allentown PA
 610-395-8445
 Mesa AZ
 480-558-7210

TITLE		BWF330 Jamb Detail - panel vertical					
DWG NO. / FILE NO.		BWF Jamb vertical				SCALE	3"=1'-0"
DRAWN BY	LDS	DATE	8-3-07	APPR. BY	DAS	DATE	8-3-07
REVISION NO.	XXXX	REVISION DATE	MM/DD/YY	APPR. BY	XXXX	APPR. DATE	MM/DD/YY

Rev. No.	Revision Date	Drawn By	Description of Revision
0	8-3-07	LDS	BWF330 Jamb Detail - panel vertical



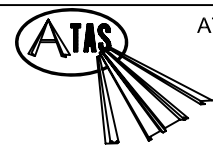
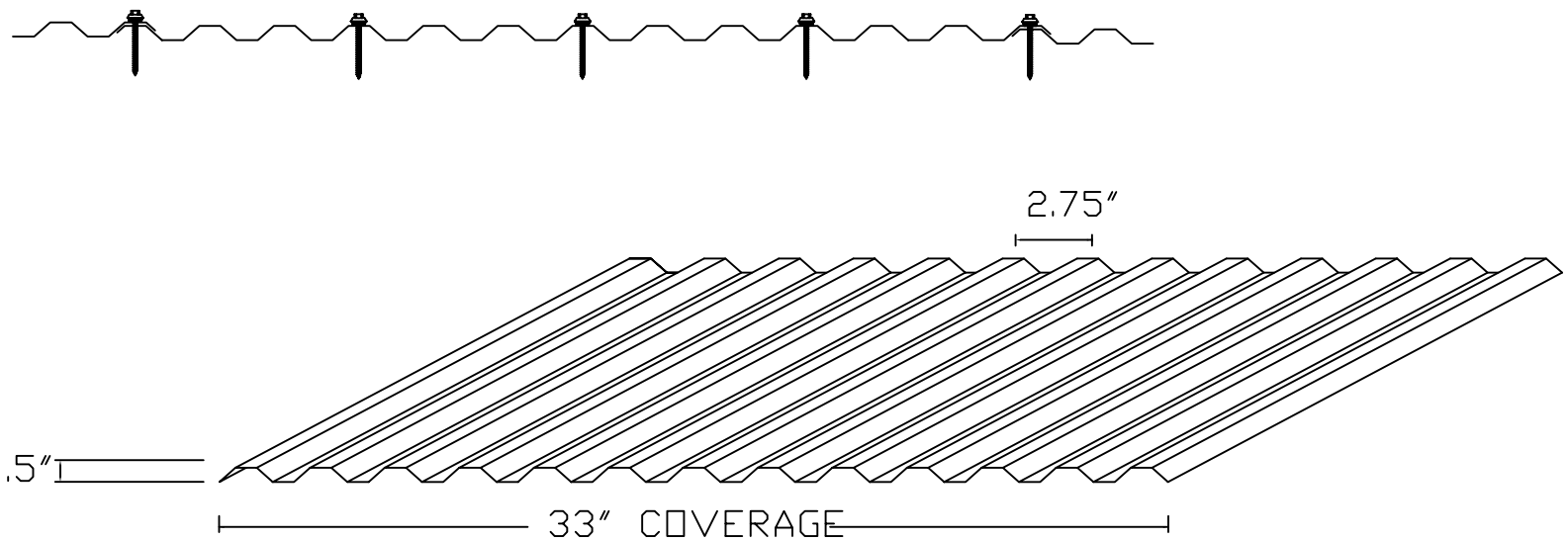
OUTSIDE CORNER TRIM



ATAS INTERNATIONAL, INC.
 Allentown PA
 610-395-8445
 Mesa AZ
 480-558-7210

<p>TITLE BWF330Outside Corner - panel vertical</p>							
<p>DWG NO. / FILE NO. BWF Outside Corner Vertical</p>				<p>SCALE 3"=1'-0"</p>			
<p>DRAWN BY LDS</p>	<p>DATE 8-3-07</p>	<p>APPR. BY DAS</p>	<p>DATE 8-3-07</p>				
<p>REVISION NO. XXXX</p>	<p>REVISION DATE MM/DD/YY</p>	<p>APPR. BY XXXX</p>	<p>DATE MM/DD/YY</p>				

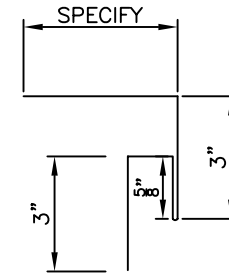
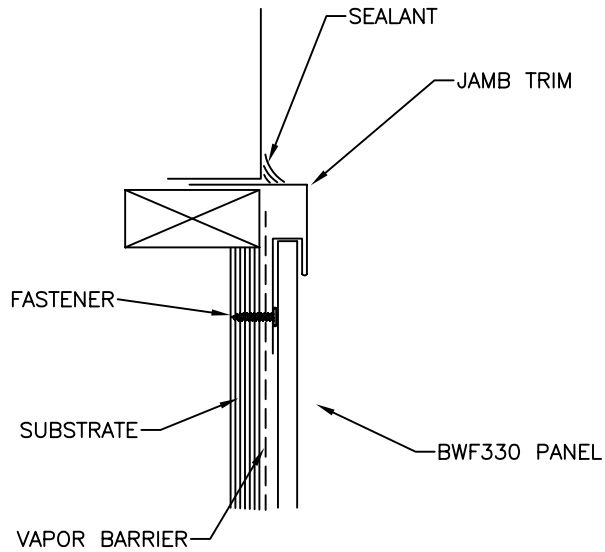
Rev. No.	Revision Date	Drawn By	Description of Revision
0	8-3-07	LDS	BWF330 Outside Corner - panel vertical



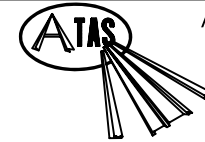
ATAS INTERNATIONAL, INC.
 Allentown PA
 610-395-8445
 Mesa AZ
 480-558-7210

TITLE		BWF330 profile			
DWG NO. / FILE NO.		BWF330 profile		SCALE	N.T.S.
DRAWN BY	LDS	DATE	8-3-07	APPR. BY	DAS
REVISION NO.	XXXX	REVISION DATE	MM/DD/YY	APPR. BY	XXXX
				APPR. DATE	MM/DD/YY

Rev. No.	Revision Date	Drawn By	Description of Revision
0	8-3-07	LDS	BWF330 profile



JAMB TRIM



ATAS INTERNATIONAL, INC.

Allentown PA
610-395-8445
Mesa AZ
480-558-7210

TITLE		BWF330 Window Sill Detail - panel Vertical			
-------	--	--	--	--	--

DWG NO. / FILE NO.		BWF Window Sill Vertical			SCALE	3"=1'-0"
--------------------	--	--------------------------	--	--	-------	----------

DRAWN BY	LDS	DATE	8-3-07	APPR. BY	DAS	DATE	8-3-07
----------	-----	------	--------	----------	-----	------	--------

REVISION NO.	XXXX	REVISION DATE	MM/DD/YY	APPR. BY	XXXX	APPR. DATE	MM/DD/YY
--------------	------	---------------	----------	----------	------	------------	----------

Rev. No.	Revision Date	Drawn By	Description of Revision
0	8-3-07	LDS	BWF330 Window Sill Detail - panel Vertical

