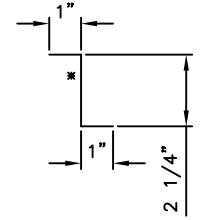
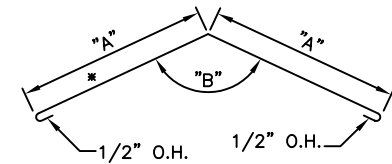


PCA910 'Z' CLOSURE



PCA912 'Z' CLOSURE

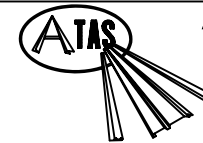
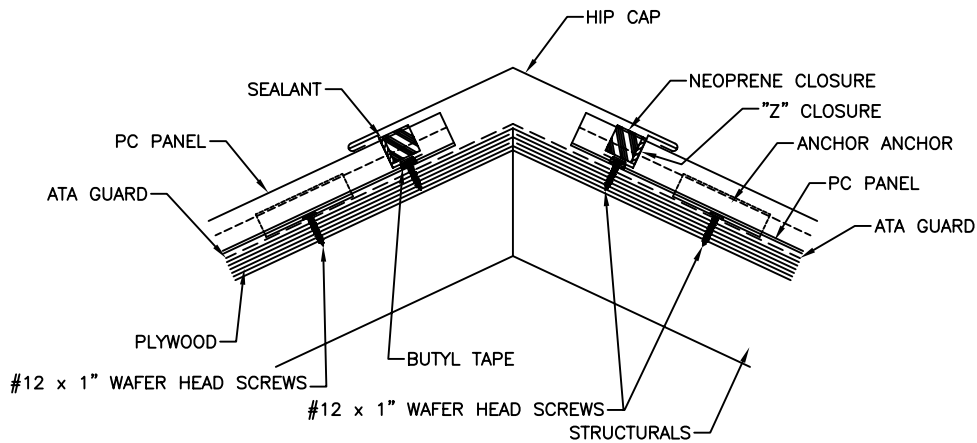


PCA315 HIP CAP

DIM. 'A' AND ANGLE 'B' TO BE SPECIFIED BY CUSTOMER OR FURNISH ATAS WITH THE ROOF SLOPES INVOLVED.

Neoprene closures.

For PC???? panels w/ PCS114 seams or PCB001 battens - RSD060 (1-3/8" high)
 For PC???? panels w/ PCB002 battens - RSD061 (2-1/4" high)



ATAS INTERNATIONAL, INC.
 Allentown PA
 610-395-8445
 Mesa AZ
 480-558-7210

TITLE		PC Panel Hip - ply					
DWG NO. / FILE NO.		PC Panel Hip - ply			SCALE	3"=1'-0"	
DRAWN BY	DAS	DATE	3-6-06	APPR. BY	JEB	DATE	6-2-06
REVISION NO.	XXXX	REVISION DATE	MM/DD/YY	APPR. BY	XXXX	APPR. DATE	MM/DD/YY

Rev. No.	Revision Date	Drawn By	Description of Revision
0	6-2-06	DAS	PC Panel Hip - ply