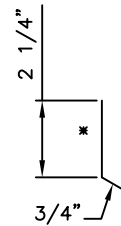


SHED RIDGE TRIM - SCA342T3??
12'-0" Long

Customer to furnish 'X' or the roof slope involved.

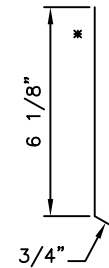
Customer to state:
With/without Starter Cleat (#23)
or Shed Ridge Starter Cleat (#29).
If ordered without part #23 or #29
then part #22 will be fabricated
having a 3/4" tab @ 150° without
the 1/2" O.H.



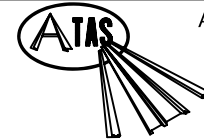
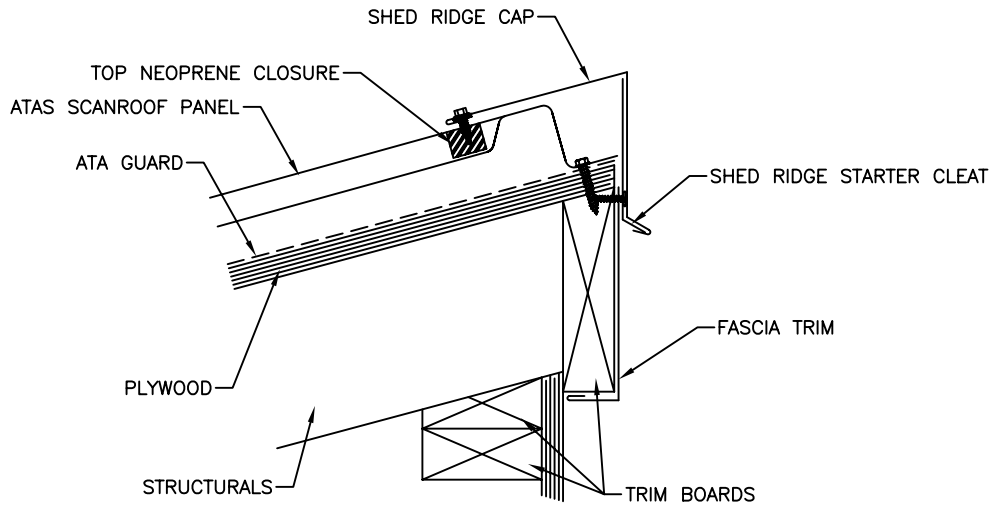
STANDARD STARTER CLEAT
- SCA348T3??



SHED RIDGE STARTER CLEAT
- SCA348T3??



VENTED SHED RIDGE STARTER CLEAT
- SCA349T3??



ATAS INTERNATIONAL, INC.

Allentown PA
610-395-8445
Mesa AZ
480-558-7210

TITLE		Scanroof Shed Ridge - ply			
DWG NO. / FILE NO.	Scanroof Shed Ridge - ply			SCALE	3"=1'-0"
DRAWN BY	DAS	DATE	3-6-06	APPR. BY	JEB
REVISION NO.	XXXX	REVISION DATE	MM/DD/YY	APPR. BY	XXXX
DATE	6-2-06	DATE	MM/DD/YY	DATE	MM/DD/YY

Rev. No.	Revision Date	Drawn By	Description of Revision
0	6-2-06	DAS	Scanroof Shed Ridge - ply