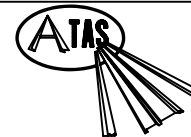


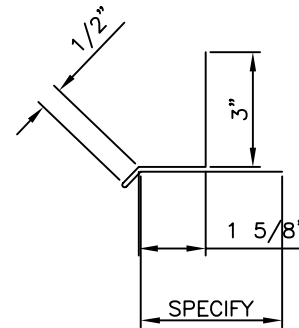
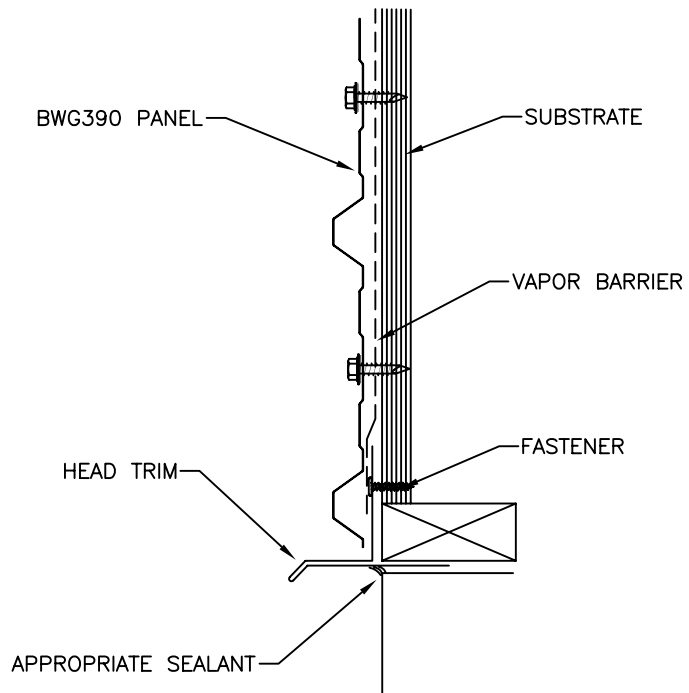
COVERAGE = 39.00



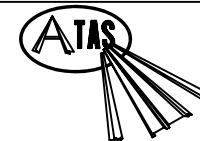
ATAS INTERNATIONAL, INC.  
 Allentown PA  
 610-395-8445  
 Mesa AZ  
 480-558-7210

TITLE		BWG Profile					
DWG NO. / FILE NO.		BWG Profile				SCALE	3"=1'-0"
DRAWN BY	DAS	DATE	12-7-10	APPR. BY	JEB	DATE	12-7-10
REVISION NO.	XXXX	REVISION DATE	MM/DD/YY	APPR. BY	XXXX	APPR. DATE	MM/DD/YY

Rev. No.	Revision Date	Drawn By	Description of Revision
1	12-7-10	DAS	BWG Profile



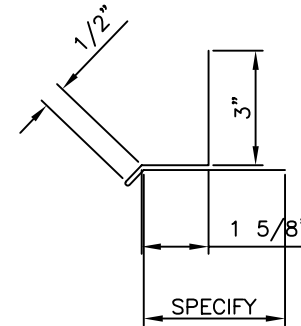
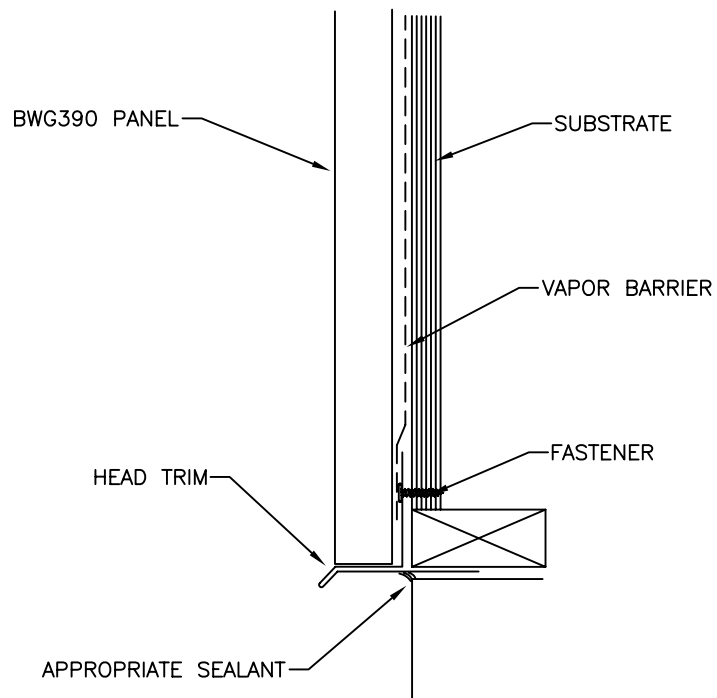
HEAD TRIM



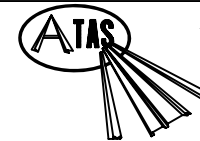
ATAS INTERNATIONAL, INC.  
 Allentown PA  
 610-395-8445  
 Mesa AZ  
 480-558-7210

TITLE		BWG390 Head Deatil - panel horizontal					
DWG NO. / FILE NO.		BWG390 Head Horizontal				SCALE	3"=1'-0"
DRAWN BY	LDS	DATE	8-3-07	APPR. BY	DAS	DATE	8-3-07
REVISION NO.	XXXX	REVISION DATE	MM/DD/YY	APPR. BY	XXXX	APPR. DATE	MM/DD/YY

Rev. No.	Revision Date	Drawn By	Description of Revision
0	8-3-07	LDS	BWG390 Head Deatil - panel horizontal



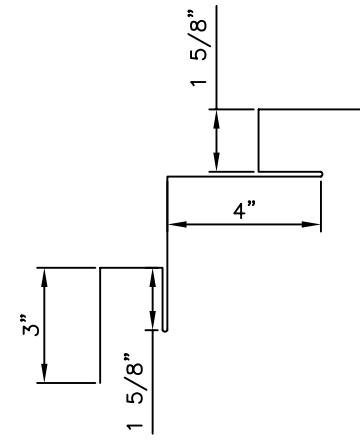
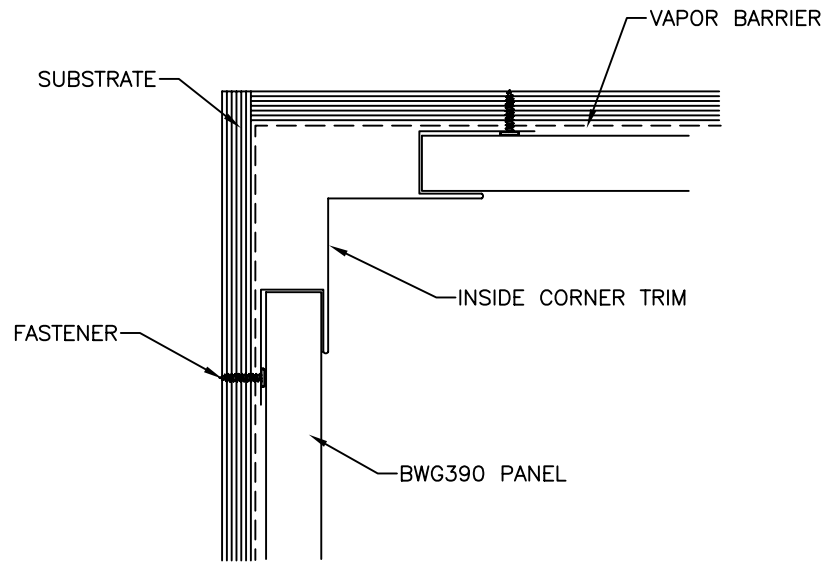
HEAD TRIM



ATAS INTERNATIONAL, INC.  
 Allentown PA  
 610-395-8445  
 Mesa AZ  
 480-558-7210

TITLE		BWG390 Head Detail - panel vertical					
DWG NO. / FILE NO.		BWG Head Vertical				SCALE	3"=1'-0"
DRAWN BY	LDS	DATE	8-3-07	APPR. BY	DAS	DATE	8-3-07
REVISION NO.	XXXX	REVISION DATE	MM/DD/YY	APPR. BY	XXXX	APPR. DATE	MM/DD/YY

Rev. No.	Revision Date	Drawn By	Description of Revision
0	8-3-07	LDS	BWG390 Head Detail - panel vertical



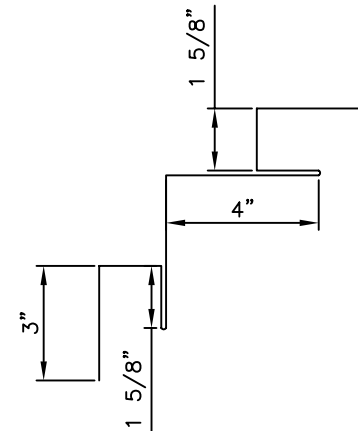
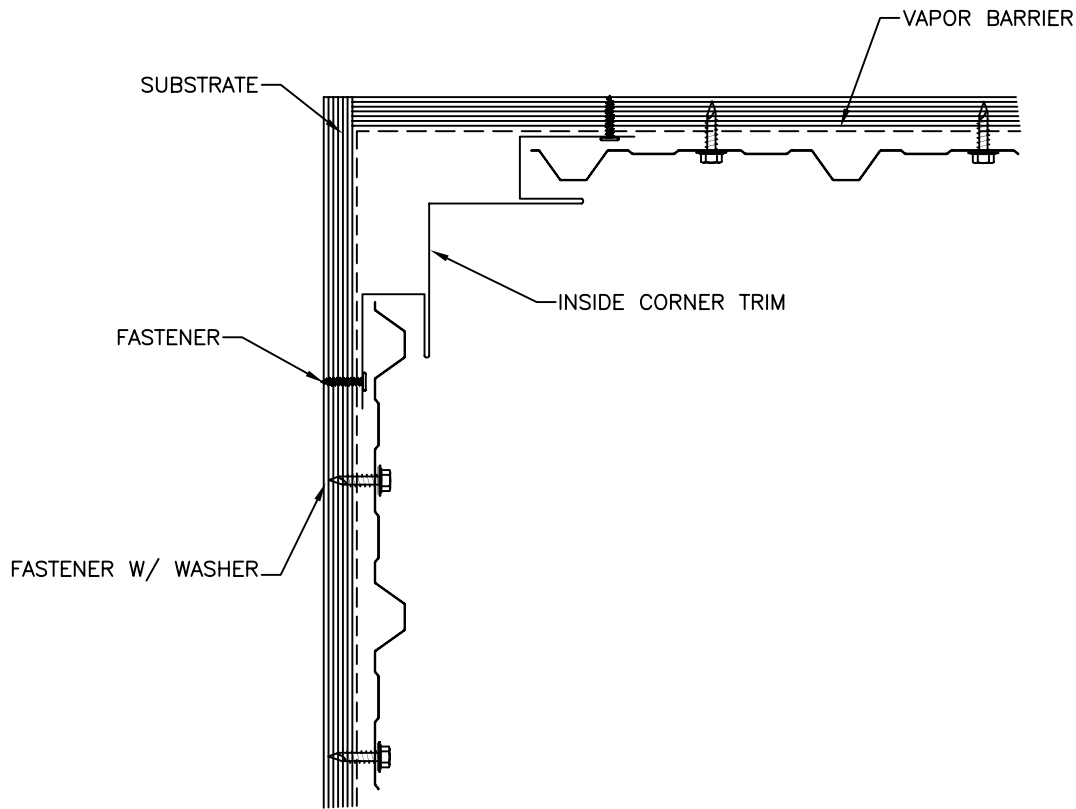
INSIDE CORNER TRIM



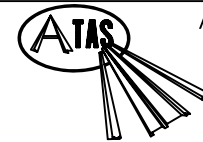
ATAS INTERNATIONAL, INC.  
 Allentown PA  
 610-395-8445  
 Mesa AZ  
 480-558-7210

TITLE		BWG390 Inside Corner - panel horizontal					
DWG NO. / FILE NO.		BWG Inside Corner Horizontal				SCALE	3"=1'-0"
DRAWN BY	LDS	DATE	8-3-07	APPR. BY	DAS	DATE	8-3-07
REVISION NO.	XXXX	REVISION DATE	MM/DD/YY	APPR. BY	XXXX	APPR. DATE	MM/DD/YY

Rev. No.	Revision Date	Drawn By	Description of Revision
0	8-3-07	LDS	BWR360 Inside Corner - panel horizontal



INSIDE CORNER TRIM



ATAS INTERNATIONAL, INC.  
 Allentown PA  
 610-395-8445  
 Mesa AZ  
 480-558-7210

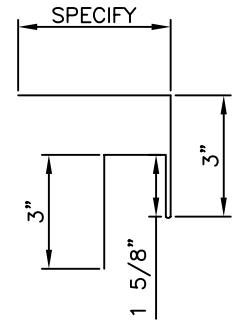
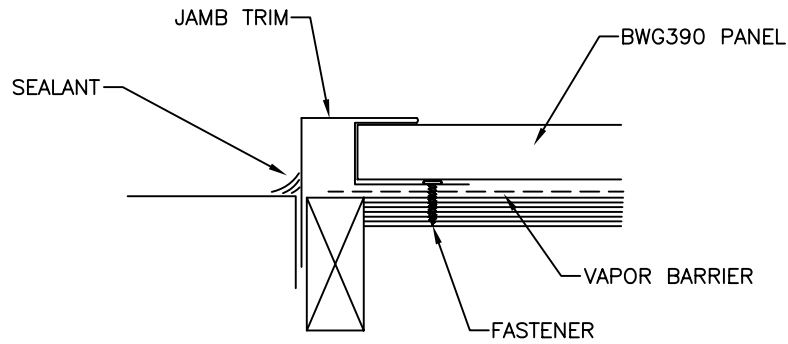
TITLE **BWG390 Inside Corner - panel vertical**

DWG NO. / FILE NO. **BWG Inside Corner Vertical** SCALE **3"=1'-0"**

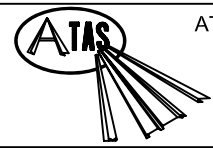
DRAWN BY **LDS** DATE **8-3-07** APPR. BY **DAS** DATE **8-3-07**

REVISION NO. **XXXX** REVISION DATE **MM/DD/YY** APPR. BY **XXXX** APPR. DATE **MM/DD/YY**

Rev. No.	Revision Date	Drawn By	Description of Revision
0	8-3-07	LDS	BWG390 Inside Corner - panel vertical



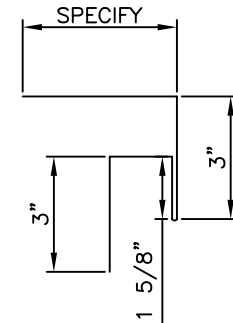
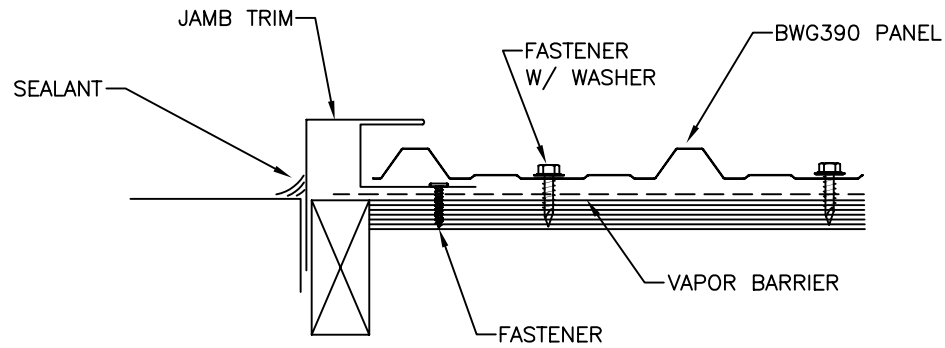
JAMB TRIM



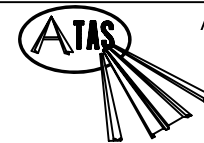
ATAS INTERNATIONAL, INC.  
 Allentown PA  
 610-395-8445  
 Mesa AZ  
 480-558-7210

TITLE										BWG390 Jamb Detail - panel horizontal														
DWG NO. / FILE NO.					BWG Jamb Horizontal										SCALE					3"=1'-0"				
DRAWN BY		LDS		DATE		8-3-07		APPR. BY		DAS		DATE		8-3-07										
REVISION NO.		XXXX		REVISION DATE		MM/DD/YY		APPR. BY		XXXX		APPR. DATE		MM/DD/YY										

Rev. No.	Revision Date	Drawn By	Description of Revision
0	8-3-07	LDS	BWG390 Jamb Detail - panel horizontal



JAMB TRIM



ATAS INTERNATIONAL, INC.

Allentown PA  
610-395-8445  
Mesa AZ  
480-558-7210

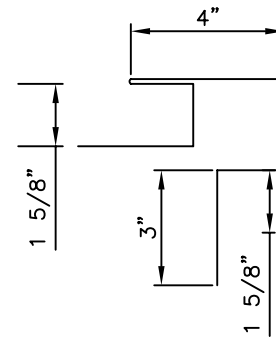
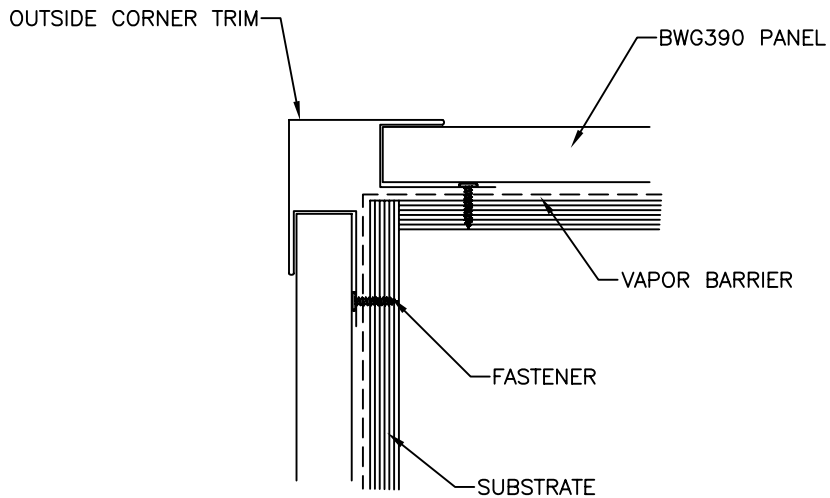
TITLE BWG390 Jamb Detail - panel vertical

DWG NO. / FILE NO. BWG Jamb vertical SCALE 3"=1'-0"

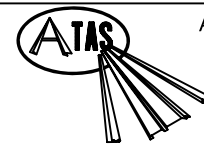
DRAWN BY LDS DATE 8-3-07 APPR. BY DAS DATE 8-3-07

REVISION NO. XXXX REVISION DATE MM/DD/YY APPR. BY XXXX APPR. DATE MM/DD/YY

Rev. No.	Revision Date	Drawn By	Description of Revision
0	8-3-07	LDS	BWG390 Jamb Detail - panel vertical



OUTSIDE CORNER TRIM



ATAS INTERNATIONAL, INC.  
 Allentown PA  
 610-395-8445  
 Mesa AZ  
 480-558-7210

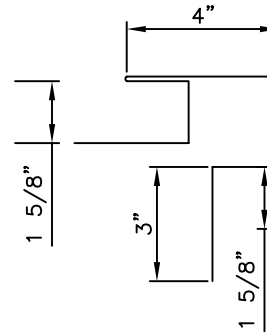
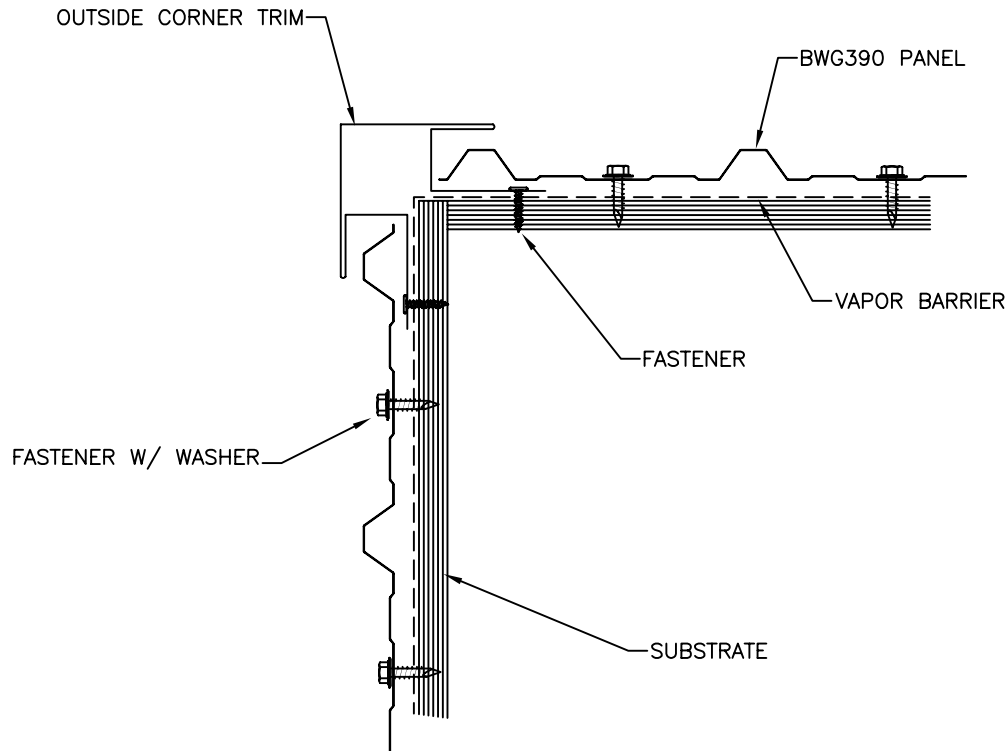
TITLE **BWG390 Outside Corner - panel horizontal**

DWG NO. / FILE NO. **BWG Outside Corner Horizontal** SCALE **3"=1'-0"**

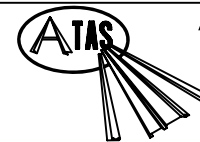
DRAWN BY **LDS** DATE **8-3-07** APPR. BY **DAS** DATE **8-3-07**

REVISION NO. **XXXX** REVISION DATE **MM/DD/YY** APPR. BY **XXXX** APPR. DATE **MM/DD/YY**

Rev. No.	Revision Date	Drawn By	Description of Revision
0	8-3-07	LDS	BWG390 Outside Corner - panel horizontal



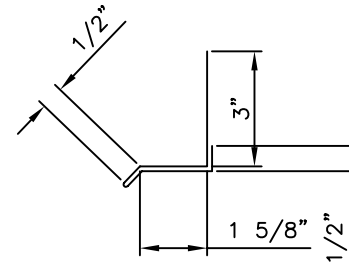
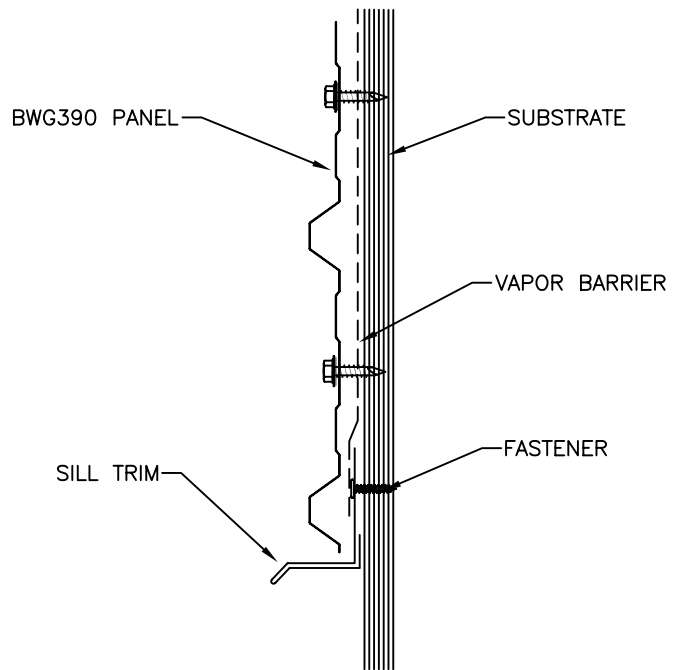
OUTSIDE CORNER TRIM



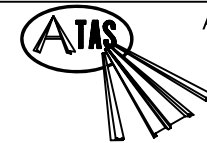
ATAS INTERNATIONAL, INC.  
 Allentown PA  
 610-395-8445  
 Mesa AZ  
 480-558-7210

TITLE		BWG390 Outside Corner - panel vertical					
DWG NO. / FILE NO.		BWG Outside Corner Vertical				SCALE	3"=1'-0"
DRAWN BY	LDS	DATE	8-3-07	APPR. BY	DAS	DATE	8-3-07
REVISION NO.	XXXX	REVISION DATE	MM/DD/YY	APPR. BY	XXXX	APPR. DATE	MM/DD/YY

Rev. No.	Revision Date	Drawn By	Description of Revision
0	8-3-07	LDS	BWG390 Outside Corner - panel vertical



SILL TRIM



ATAS INTERNATIONAL, INC.

Allentown PA  
610-395-8445  
Mesa AZ  
480-558-7210

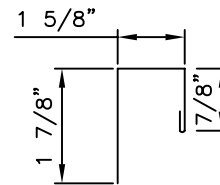
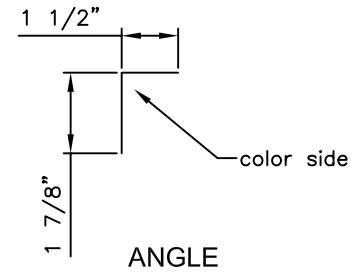
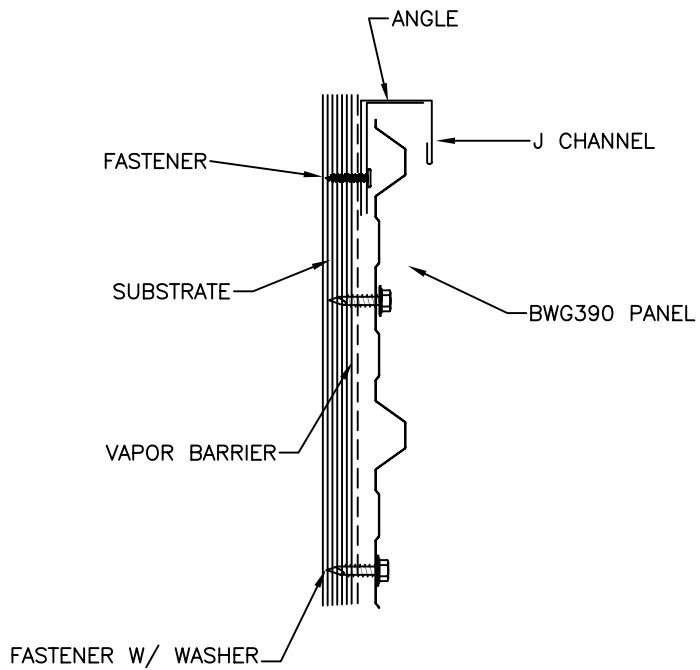
TITLE BWG390 Sill Deatil - panel horizontal

DWG NO. / FILE NO. BWG390 Sill Horizontal SCALE 3"=1'-0"

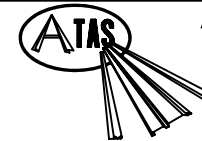
DRAWN BY LDS DATE 8-3-07 APPR. BY DAS DATE 8-3-07

REVISION NO. XXXX REVISION DATE MM/DD/YY APPR. BY XXXX APPR. DATE MM/DD/YY

Rev. No.	Revision Date	Drawn By	Description of Revision
0	8-3-07	LDS	BWG390 Sill Deatil - panel horizontal



J CHANNEL (DSA158)

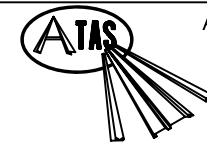
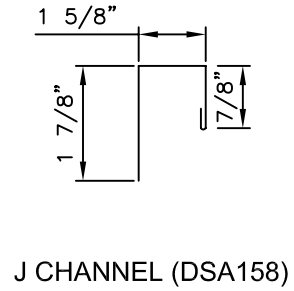
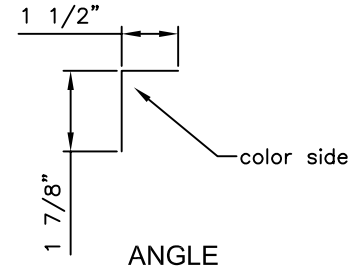
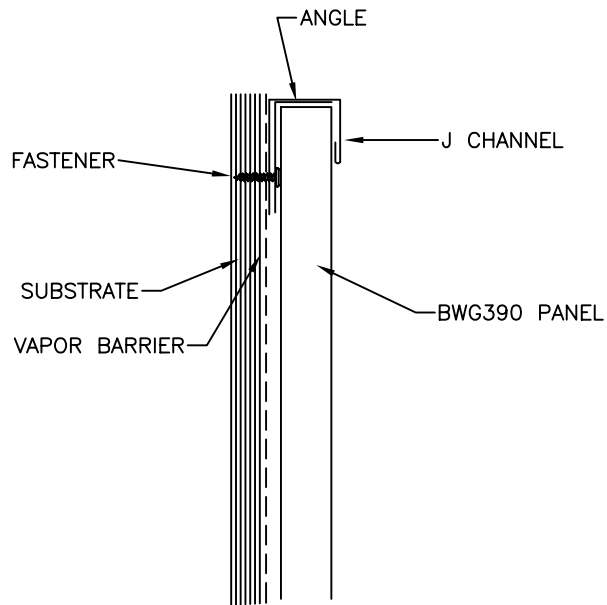


ATAS INTERNATIONAL, INC.

Allentown PA  
610-395-8445  
Mesa AZ  
480-558-7210

TITLE		BWG390 Top Detail - panel horizontal					
DWG NO. / FILE NO.		BWG Top Horizontal				SCALE	3"=1'-0"
DRAWN BY	LDS	DATE	8-3-07	APPR. BY	DAS	DATE	8-3-07
REVISION NO.	XXXX	REVISION DATE	MM/DD/YY	APPR. BY	XXXX	APPR. DATE	MM/DD/YY

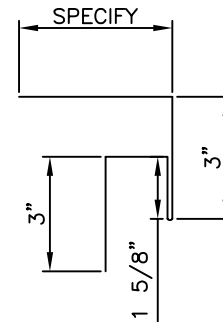
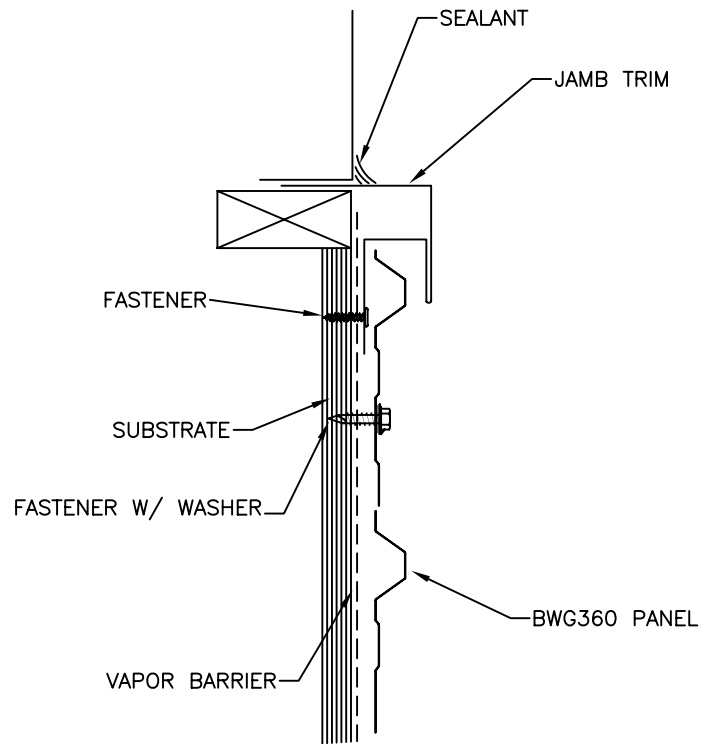
Rev. No.	Revision Date	Drawn By	Description of Revision
0	8-3-07	LDS	BWG390 Top Detail - panel horizontal



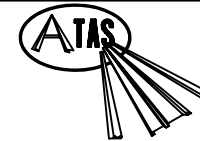
ATAS INTERNATIONAL, INC.  
 Allentown PA  
 610-395-8445  
 Mesa AZ  
 480-558-7210

TITLE								BWG390 Top Detail - panel vertical			
DWG NO. / FILE NO.				BWG Top Vertical				SCALE		3"=1'-0"	
DRAWN BY		LDS		DATE		8-3-07		APPR. BY		DAS	
DATE		8-3-07		APPR. BY		DAS		DATE		8-3-07	
REVISION NO.		XXXX		REVISION DATE		MM/DD/YY		APPR. BY		XXXX	
DATE		MM/DD/YY		APPR. BY		XXXX		APPR. DATE		MM/DD/YY	

Rev. No.	Revision Date	Drawn By	Description of Revision
0	8-3-07	LDS	BWG390 Top Detail - panel vertical



JAMB TRIM



ATAS INTERNATIONAL, INC.  
 Allentown PA  
 610-395-8445  
 Mesa AZ  
 480-558-7210

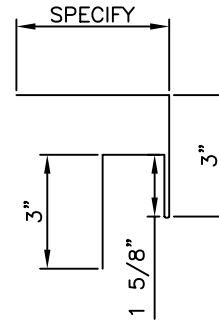
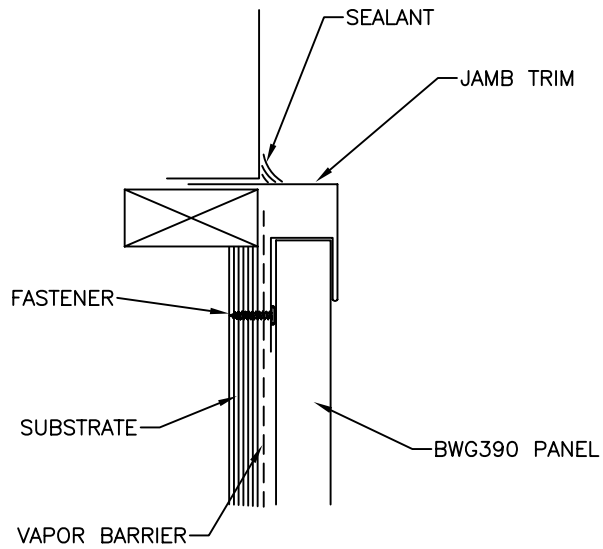
TITLE BWG390 Window Sill Detail - panel horizontal

DWG NO. / FILE NO. BWG Window Sill Horizontal SCALE 3"=1'-0"

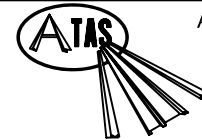
DRAWN BY LDS DATE 8-3-07 APPR. BY DAS DATE 8-3-07

REVISION NO. XXXX REVISION DATE MM/DD/YY APPR. BY XXXX APPR. DATE MM/DD/YY

Rev. No.	Revision Date	Drawn By	Description of Revision
0	8-3-07	LDS	BWG390 Window Sill Detail - panel horizontal



JAMB TRIM



ATAS INTERNATIONAL, INC.  
 Allentown PA  
 610-395-8445  
 Mesa AZ  
 480-558-7210

TITLE BWG390 Window Sill Detail - panel Vertical

DWG NO. / FILE NO. BWG Window Sill Vertical SCALE 3"=1'-0"

DRAWN BY LDS DATE 8-3-07 APPR. BY DAS DATE 8-3-07

REVISION NO. XXXX REVISION DATE MM/DD/YY APPR. BY XXXX DATE MM/DD/YY

Rev. No.	Revision Date	Drawn By	Description of Revision
0	8-3-07	LDS	BWG390 Window Sill Detail - panel Vertical