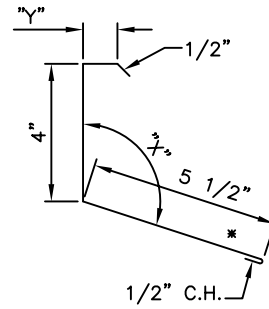
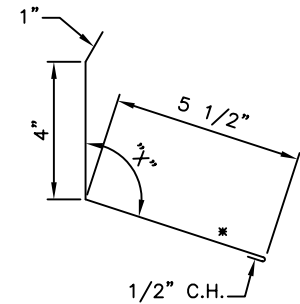


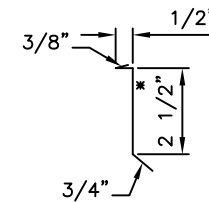
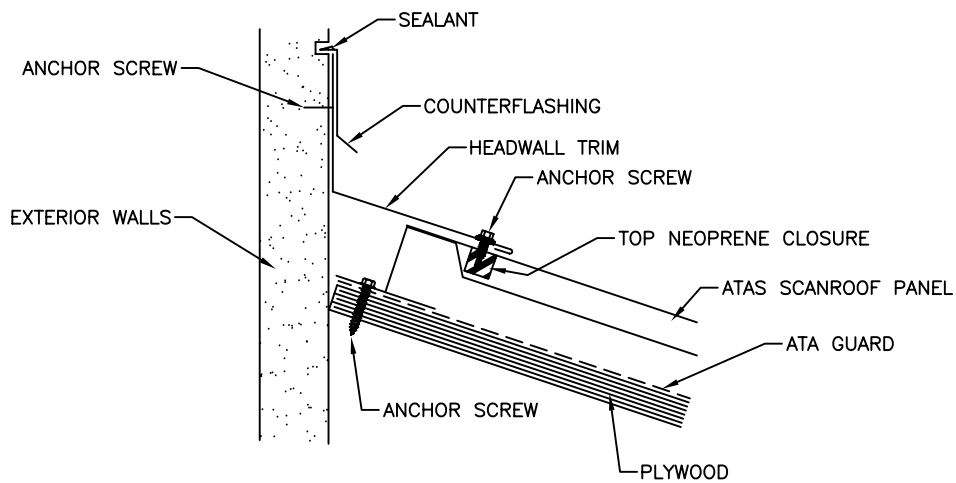
HEADWALL TRIM - SCA500T3??
(MASONRY) - 12'-0" Long
Customer to supply "X"
or slope.



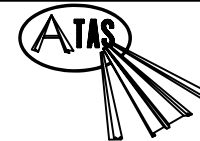
HEADWALL TRIM - SCA501T3??
(SIDING, ETC.) - 12'-0" Long
Customer to supply "X" or
slope involved. "Y" Dim. =
depth of the exterior finish
above plus 1/4".



HEADWALL TRIM - SCA502T3??
(OTHER) - 12'-0" Long
Customer to supply "X"
or slope.



COUNTERFLASHING - SCA980T3??
12'-0" Long



ATAS INTERNATIONAL, INC.
Allentown PA
610-395-8445
Mesa AZ
480-558-7210

TITLE		Scanroof Headwall - ply					
DWG NO. / FILE NO.		Scanroof Headwall - ply				SCALE	3"=1'-0"
DRAWN BY	DAS	DATE	3-6-06	APPR. BY	JEB	DATE	6-2-06
REVISION NO.	XXXX	REVISION DATE	MM/DD/YY	APPR. BY	XXXX	APPR. DATE	MM/DD/YY

Rev. No.	Revision Date	Drawn By	Description of Revision
0	6-2-06	DAS	Scanroof Headwall - ply