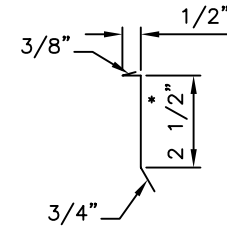
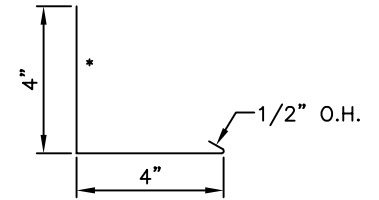
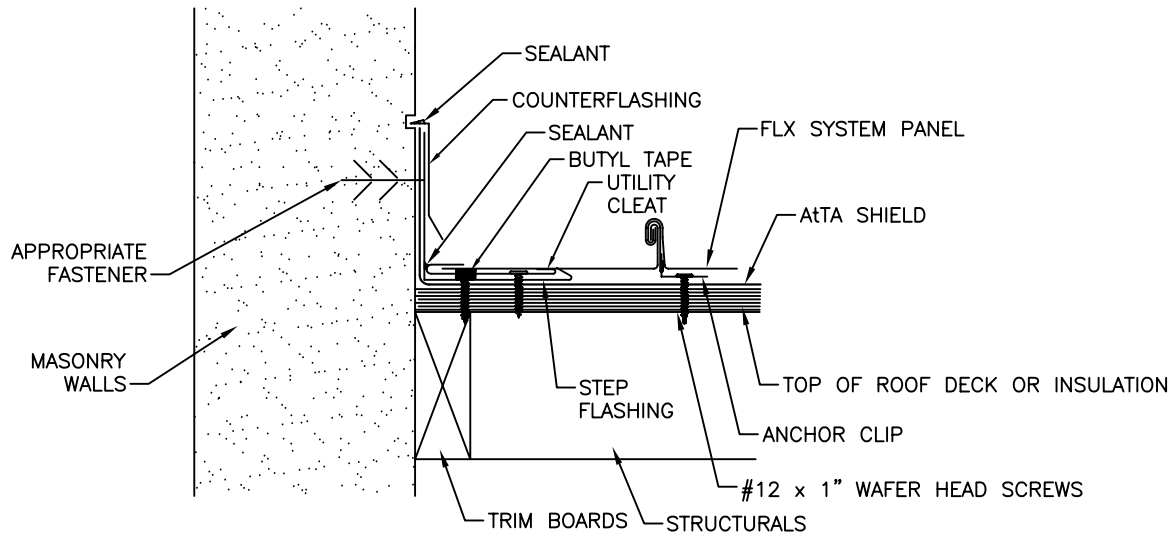


The utility cleat - part #40 - is bent in the field to suit the radii involved.

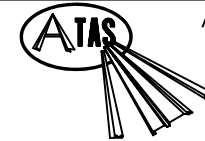
④① - FLA962 UTILITY CLEAT



②② - FLA980 COUNTERFLASHING  
Supplied in standard 12'-0" lengths - field cut to shorter lengths to suit curvature(s) involved.



④⑦ - FLA415 STEP FLASHING  
Supplied in standard 12'-0" lengths - field cut to shorter lengths to suit curvature(s) involved.

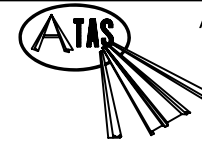
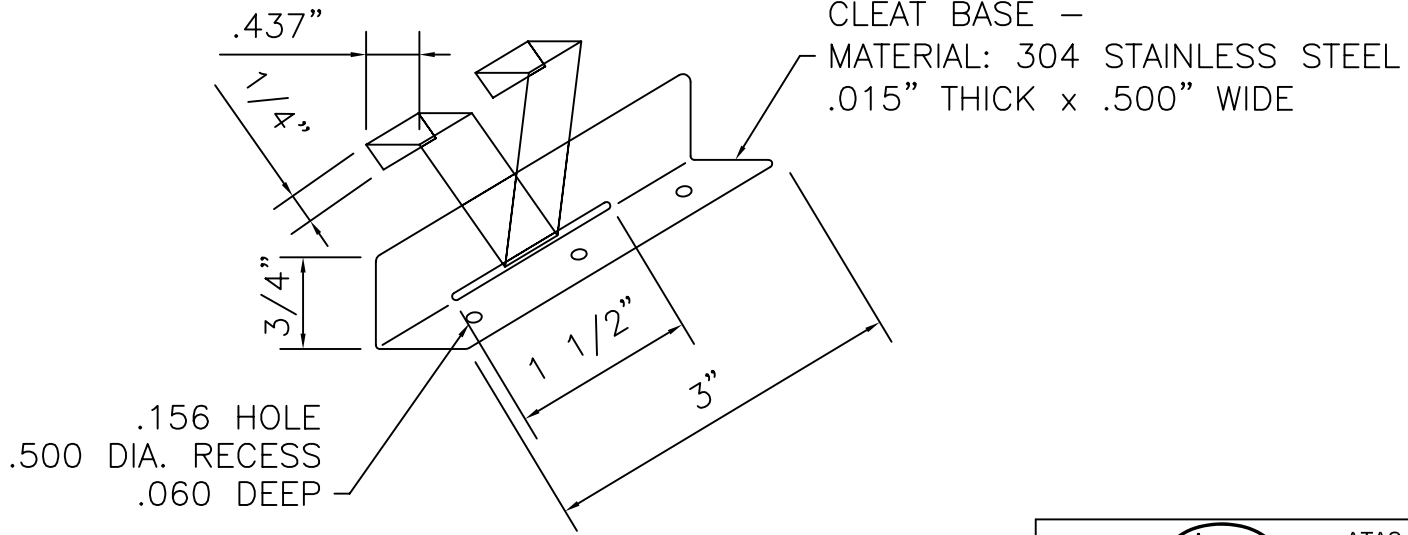


ATAS INTERNATIONAL, INC.  
Allentown PA  
610-395-8445  
Mesa AZ  
480-558-7210

TITLE		<b>FLX Curved Rake Sidewall</b>					
DWG NO. / FILE NO.		<b>FLX Curved Rake Sidewall</b>			SCALE	3"=1'-0"	
DRAWN BY	DAS	DATE	3-6-06	APPR. BY	JEB	DATE	5-31-06
REVISION NO.	XXXX	REVISION DATE	MM/DD/YY	APPR. BY	XXXX	APPR. DATE	MM/DD/YY

Rev. No.	Revision Date	Drawn By	Description of Revision
0	5-31-06	DAS	<b>FLX Curved Rake Sidewall</b>

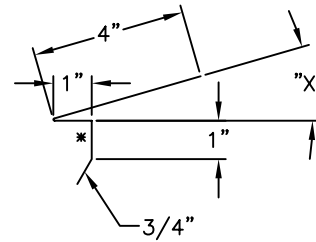
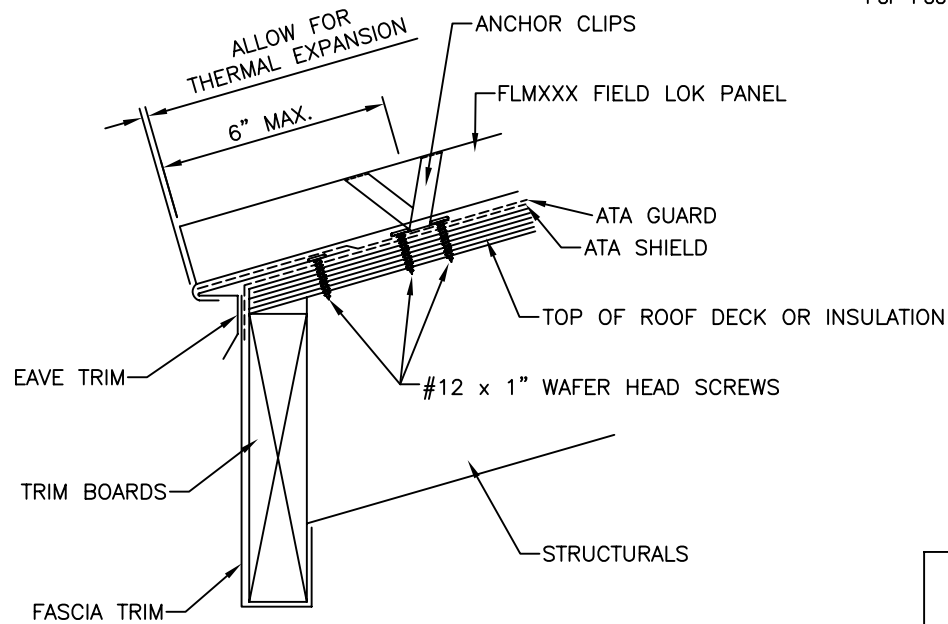
# FLL/FLX135 PANEL CLIPS



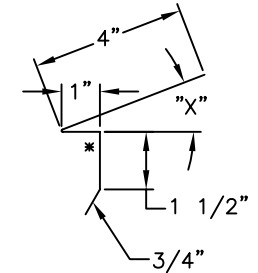
ATAS INTERNATIONAL, INC.  
 Allentown PA  
 610-395-8445  
 Mesa AZ  
 480-558-7210

TITLE		<b>FLX FLL Panel Clips</b>					
DWG NO. / FILE NO.		<b>FLX FLL Panel Clips</b>				SCALE	3"=1'-0"
DRAWN BY	DAS	DATE	3-6-06	APPR. BY	JEB	DATE	5-31-06
REVISION NO.	XXXX	REVISION DATE	MM/DD/YY	APPR. BY	XXXX	APPR. DATE	MM/DD/YY

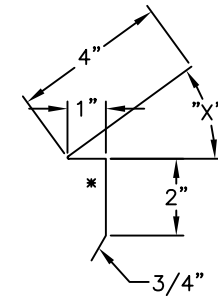
Rev. No.	Revision Date	Drawn By	Description of Revision
0	5-31-06	DAS	<b>FLX FLL Panel Clips</b>



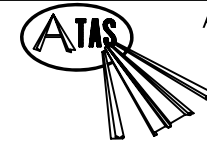
EAVE TRIM  
For roof slopes 2/12 to 4/12



EAVE TRIM  
For roof slopes 4/12 to 8/12



EAVE TRIM  
For roof slopes 8/12 to 12/12



ATAS INTERNATIONAL, INC.  
Allentown PA  
610-395-8445  
Mesa AZ  
480-558-7210

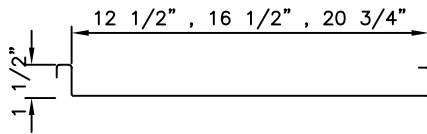
TITLE **FLM Eave - Ply**

DWG NO. / FILE NO. **FLM Eave - Ply** SCALE **3"=1'-0"**

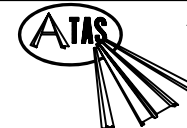
DRAWN BY **DAS** DATE **3-6-06** APPR. BY **JEB** DATE **5-31-06**

REVISION NO. **XXXX** REVISION DATE **MM/DD/YY** APPR. BY **XXXX** APPR. DATE **MM/DD/YY**

Rev. No.	Revision Date	Drawn By	Description of Revision
0	5-31-06	DAS	FLM Eave - Ply



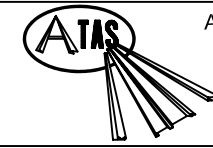
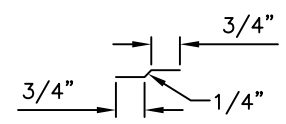
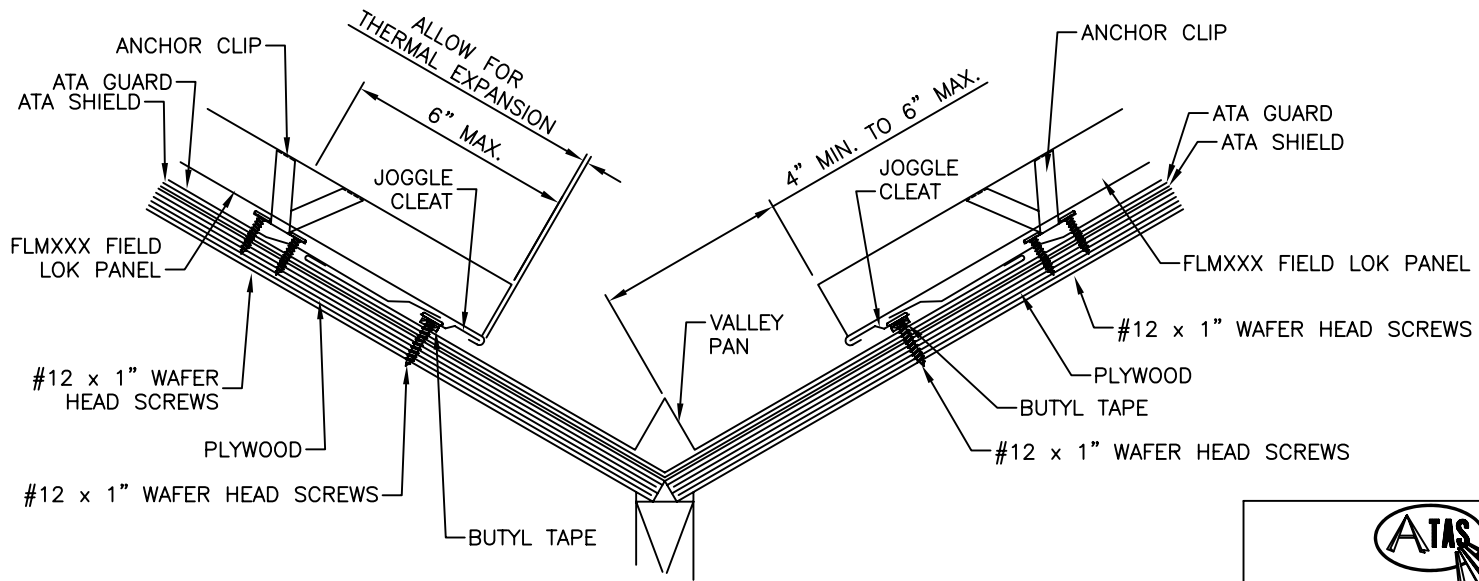
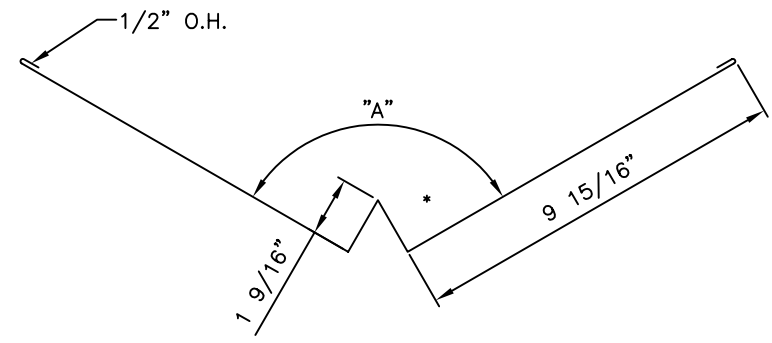
FLM - 1 1/2" Field Lok Panel  
Panel Profile



ATAS INTERNATIONAL, INC.  
Allentown PA  
610-395-8445  
Mesa AZ  
480-558-7210

TITLE		<b>FLM Panel Profile</b>					
DWG NO. / FILE NO.		<b>FLM Panel Profile</b>				SCALE	1"=1"
DRAWN BY	DAS	DATE	3-6-06	APPR. BY	JEB	DATE	5-31-06
REVISION NO.	XXXX	REVISION DATE	MM/DD/YY	APPR. BY	XXXX	APPR. DATE	MM/DD/YY

Rev. No.	Revision Date	Drawn By	Description of Revision
0	5-31-06	DAS	<b>FLM Panel Profile</b>



ATAS INTERNATIONAL, INC.  
 Allentown PA  
 610-395-8445  
 Mesa AZ  
 480-558-7210

TITLE		FLM Valley - Ply					
DWG NO. / FILE NO.		FLM Valley - Ply				SCALE	3"=1'-0"
DRAWN BY	DAS	DATE	3-6-06	APPR. BY	JEB	DATE	5-31-06
REVISION NO.	XXXX	REVISION DATE	MM/DD/YY	APPR. BY	XXXX	APPR. DATE	MM/DD/YY

Rev. No.	Revision Date	Drawn By	Description of Revision
0	5-31-06	DAS	FLM Valley - Ply