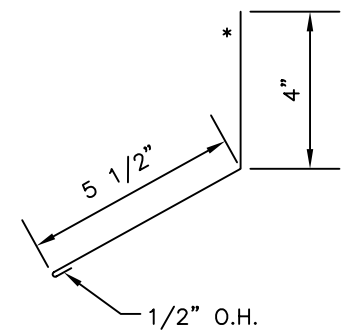
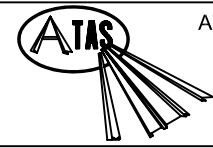


SCA980 COUNTERFLASHING (OPTIONAL)  
(4 1/8" TOTAL)



SCA500 HEADWALL TRIM  
(10" TOTAL)



ATAS INTERNATIONAL, INC.  
Allentown PA  
610-395-8445  
Mesa AZ  
480-558-7210

|                    |      |                           |          |          |       |            |          |
|--------------------|------|---------------------------|----------|----------|-------|------------|----------|
| TITLE              |      | Techo Tile Headwall - ply |          |          |       |            |          |
| DWG NO. / FILE NO. |      | Techo Tile Headwall - ply |          |          | SCALE | 3"=1'-0"   |          |
| DRAWN BY           | DAS  | DATE                      | 3-6-06   | APPR. BY | JEB   | DATE       | 6-5-06   |
| REVISION NO.       | XXXX | REVISION DATE             | MM/DD/YY | APPR. BY | XXXX  | APPR. DATE | MM/DD/YY |

| Rev. No. | Revision Date | Drawn By | Description of Revision   |
|----------|---------------|----------|---------------------------|
| 0        | 6-5-06        | DAS      | Techo Tile Headwall - ply |