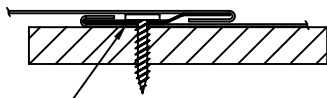
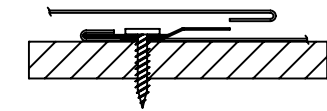
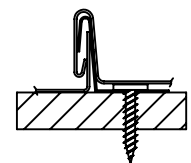


# STANDING SEAM SHINGLE FASTENING SCHEDULE

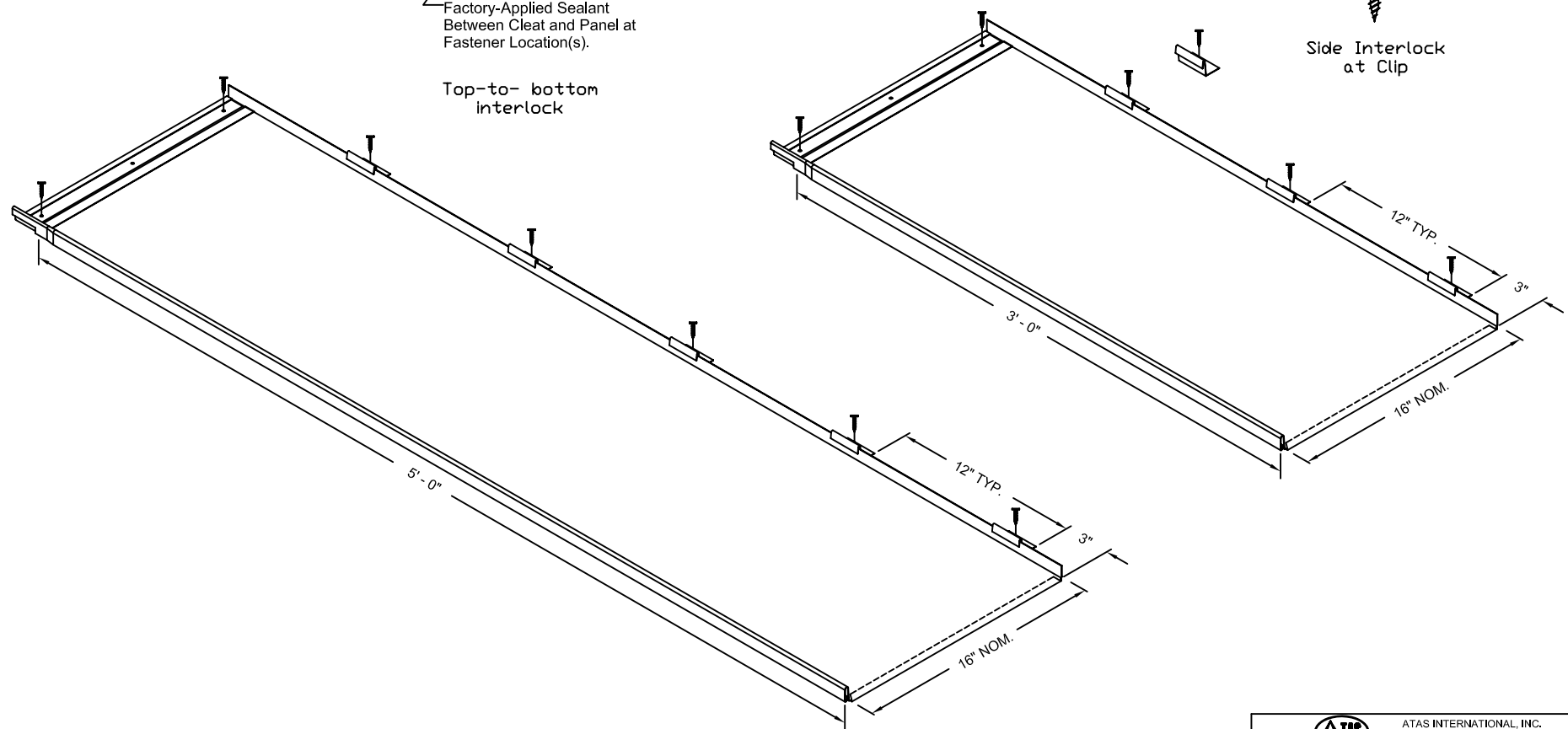


Factory-Applied Sealant  
Between Cleat and Panel at  
Fastener Location(s).


Top-to-bottom  
interlock



Side Interlock  
at Clip



Rev. No.	Revision Date	Drawn By	Description of Revision
0	01/22/08	RRG	Approximate drawing based on "Isomet temp Install guide 7_6_08" but with 2" clips located as shown and 15 1/2" cleats. Also added detail for both top and side fasteners.

		ATAS INTERNATIONAL, INC. Allentown PA 610-395-8445 Mesa AZ 480-558-7210	
		<b>TITLE</b> INSTALLATION DRAWING FOR STANDING SEAM SHINGLE WITH 2" CLIPS	
DWG NO. / FILE NO.	Isomet temp install guide 1_22_08	SCALE	X:Y
DRAWN BY	RRG	DATE	01/22/08
APPR. BY	XXX	DATE	MM/DD/05
REVISION NO.	XX	REVISION DATE	MM/DD/YY
APPR. BY	XXXX	DATE	MM/DD/YY