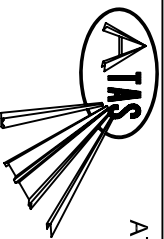
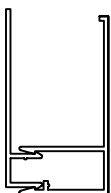
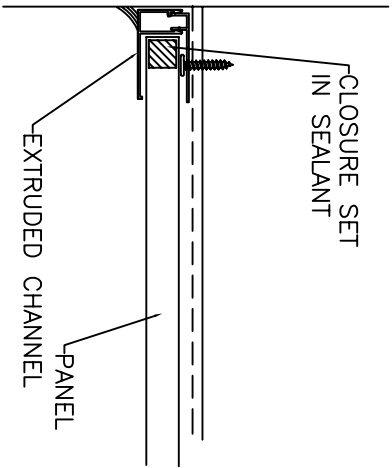


RIBBED PROFILE PANEL BASE

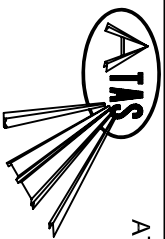


ATAS INTERNATIONAL, INC.
 Allentown PA
 610-395-8445
 Mesa AZ
 480-558-7210

Base Trim

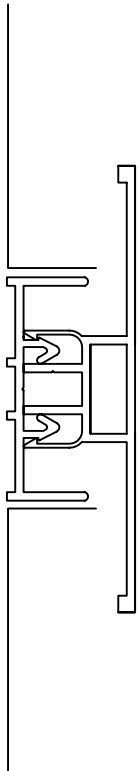
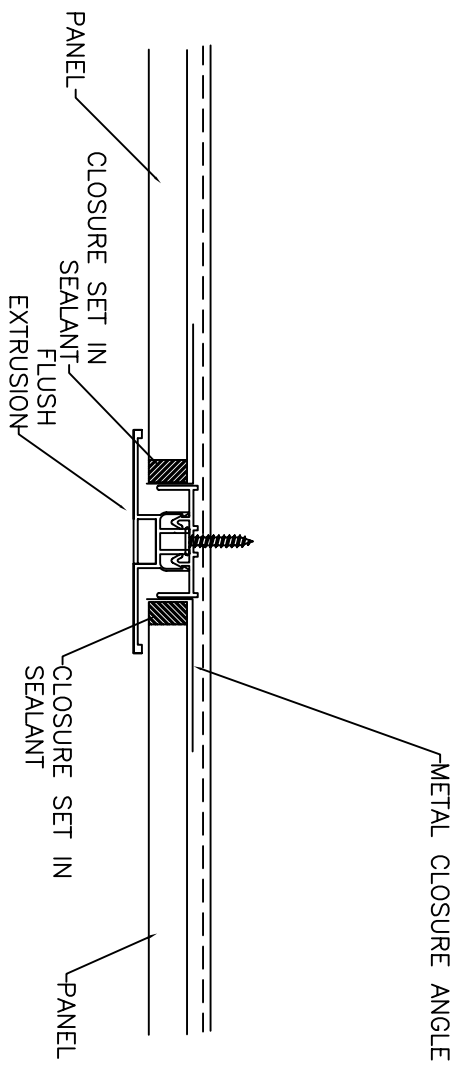


RIBBED PROFILE EXTRUDED CHANNEL

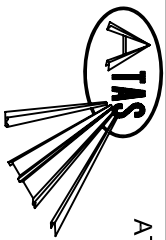


ATAS INTERNATIONAL, INC.
 Allentown PA
 610-395-8445
 Mesa AZ
 480-558-7210

Endwall Channel

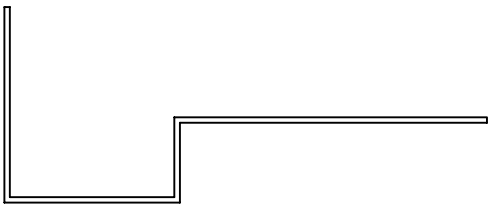
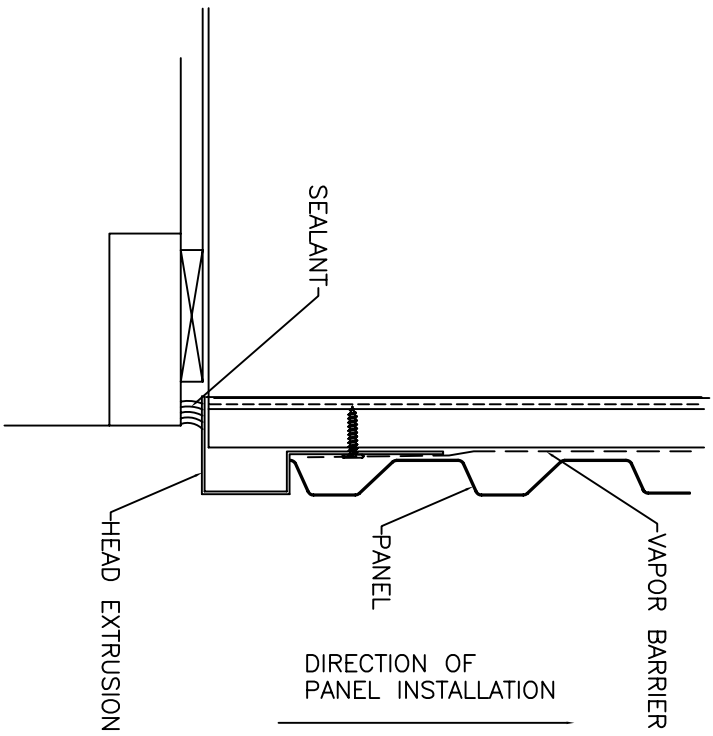


VERTICAL JOINT EXTRUSION

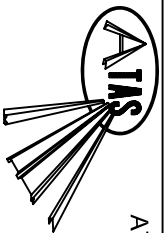


ATAS INTERNATIONAL, INC.
 Allentown PA
 610-395-8445
 Mesa AZ
 480-558-7210

Flush Extrusion

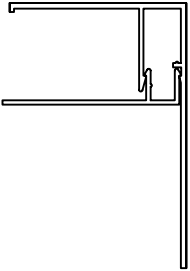


RIBBED PROFILE EXTRUDED JAMB

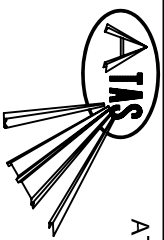
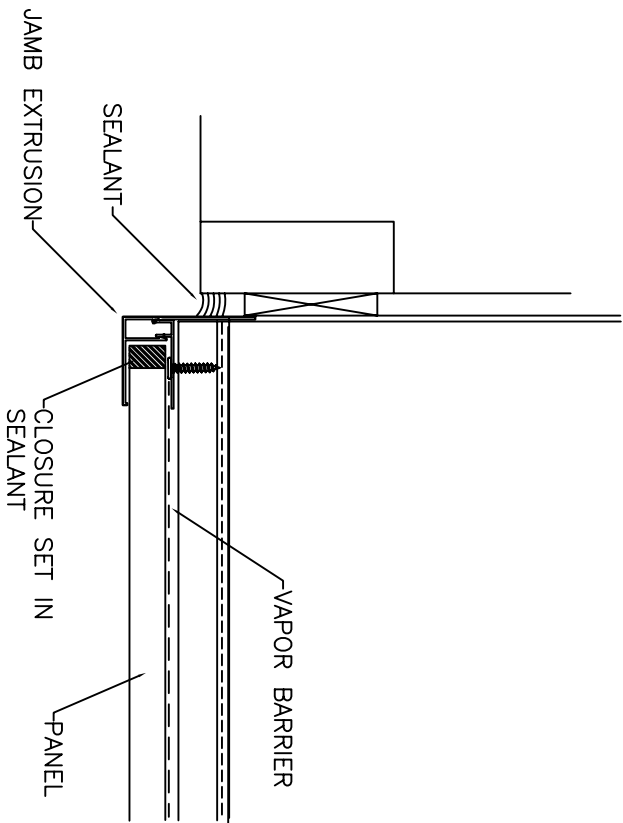


ATAS INTERNATIONAL, INC.
 Allentown PA
 610-395-8445
 Mesa AZ
 480-558-7210

Head Extrusion

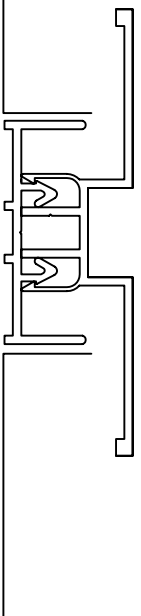
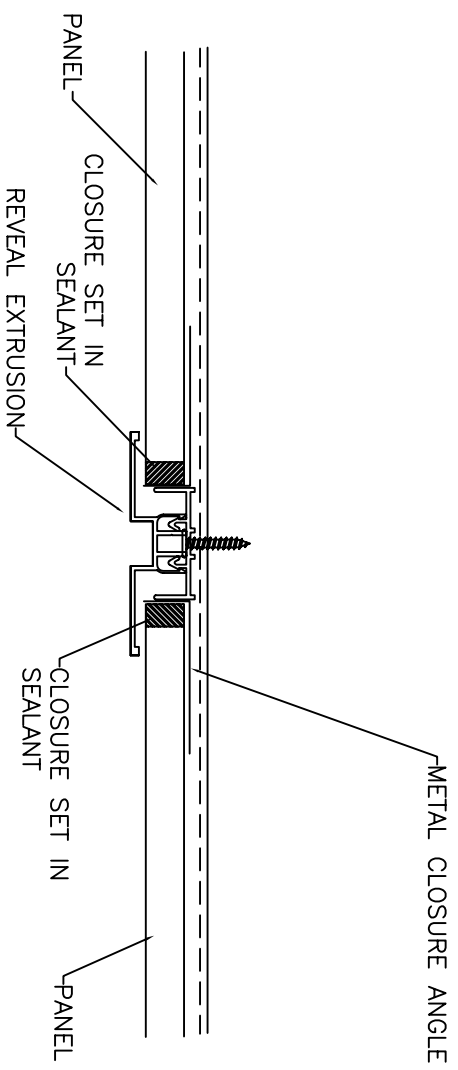


RIBBED PROFILE EXTRUDED JAMB

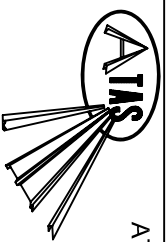


ATAS INTERNATIONAL, INC.
Allentown PA
610-395-8445
Mesa AZ
480-558-7210

Jamb Detail - Jamb Extrusion

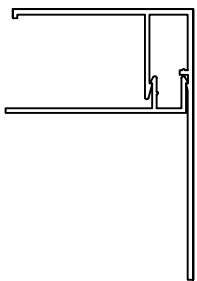
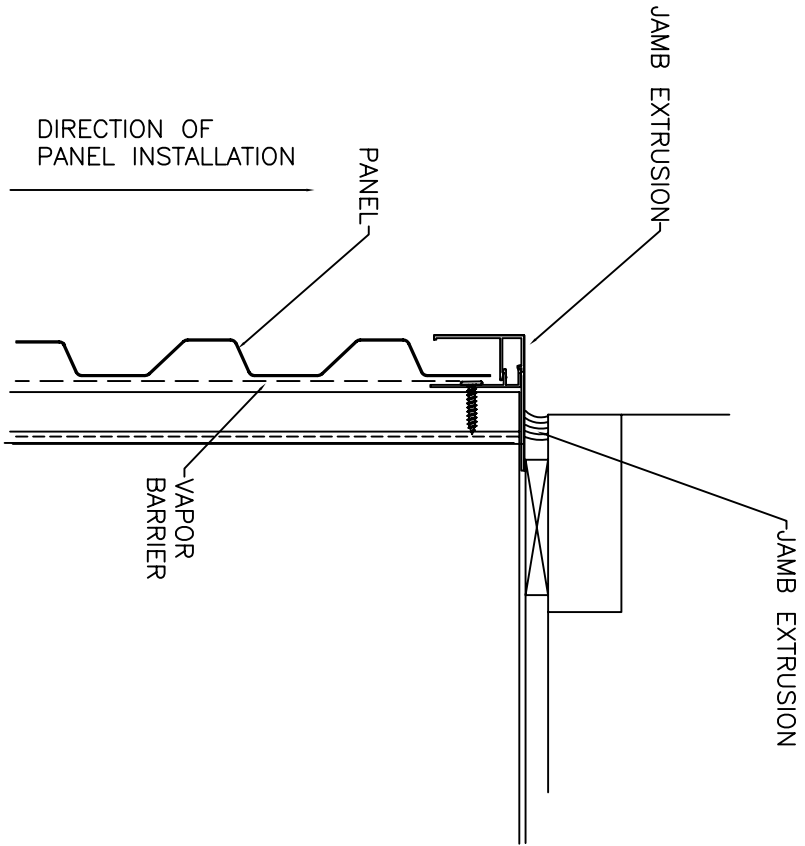


VERTICAL JOINT EXTRUSION

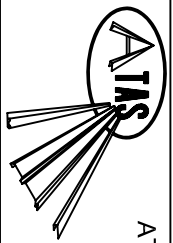


ATAS INTERNATIONAL, INC.
 Allentown PA
 610-395-8445
 Mesa AZ
 480-558-7210

Reveal Extrusion

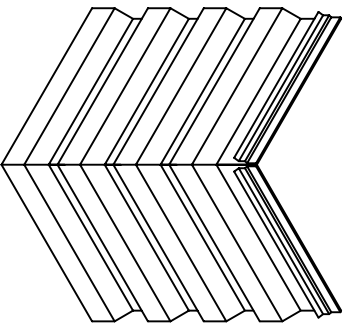


RIBBED PROFILE EXTRUDED JAMB

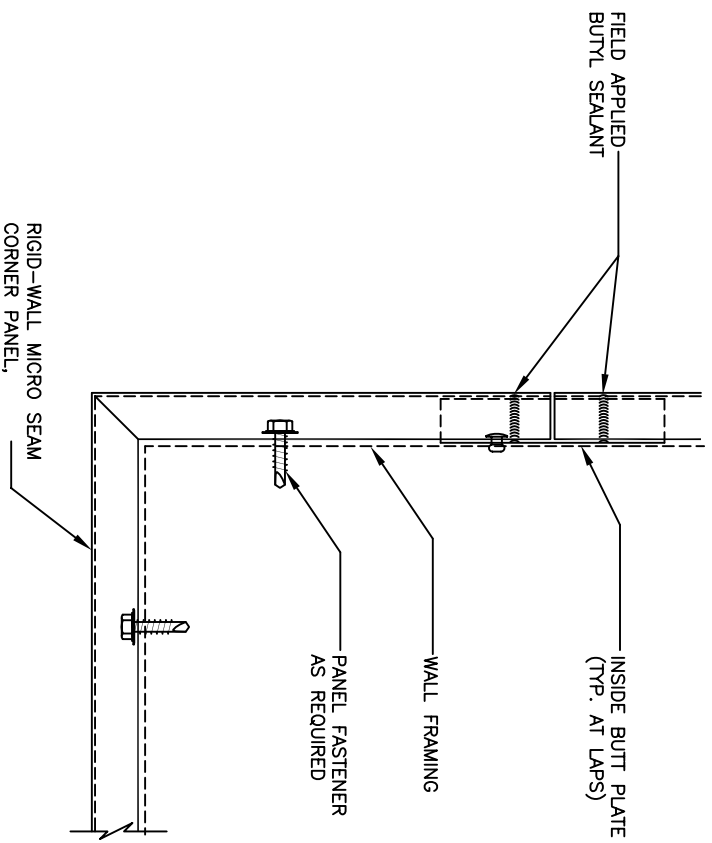


ATAS INTERNATIONAL, INC.
 Allentown PA
 610-395-8445
 Mesa AZ
 480-558-7210

Sill Detail - Jamb Extrusion



ISO. VIEW OF MITERED CORNER



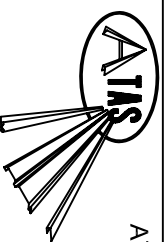
FIELD APPLIED BUTYL SEALANT

INSIDE BUTT PLATE (TYP. AT LAPS)

WALL FRAMING

PANEL FASTENER AS REQUIRED

RIGID-WALL MICRO SEAM CORNER PANEL,



ATAS INTERNATIONAL, INC.

Allentown PA

610-395-8445

Mesa AZ

480-558-7210

HCT gable