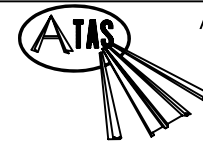


JAMB TRIM



ATAS INTERNATIONAL, INC.
 Allentown PA
 610-395-8445
 Mesa AZ
 480-558-7210

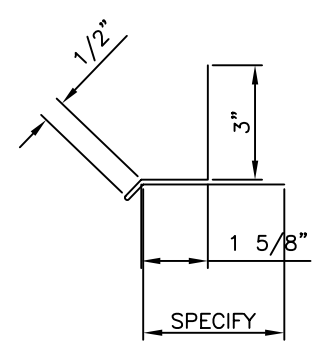
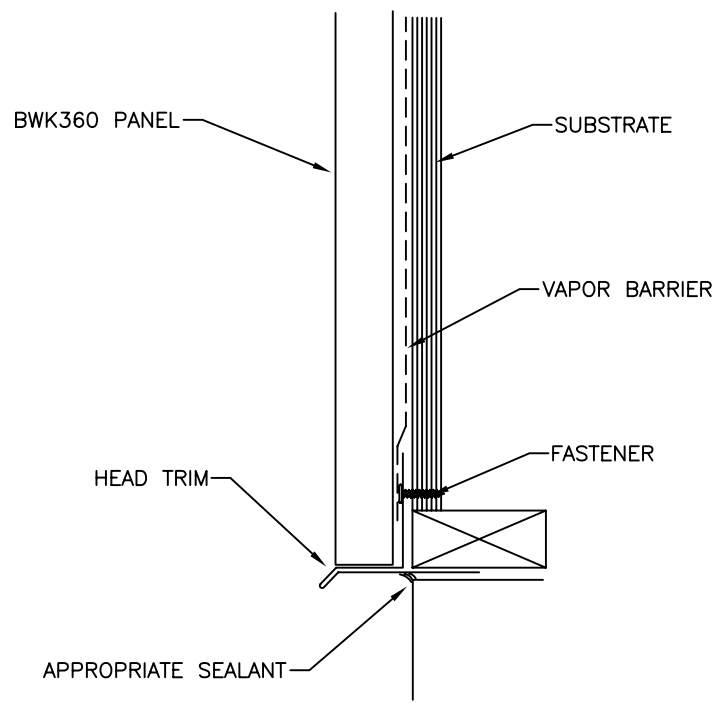
TITLE BWK360 Window Sill Detail - panel horizontal

DWG NO. / FILE NO. BWK Window Sill Horizontal SCALE 3"=1'-0"

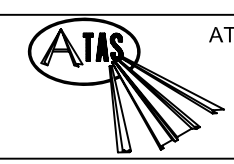
DRAWN BY LDS DATE 7-25-07 APPR. BY DAS DATE 7-25-07

REVISION NO. XXXX REVISION DATE MM/DD/YY APPR. BY XXXX APPR. DATE MM/DD/YY

Rev. No.	Revision Date	Drawn By	Description of Revision
0	7-25-07	LDS	BWK360 Window Sill Detail - panel horizontal



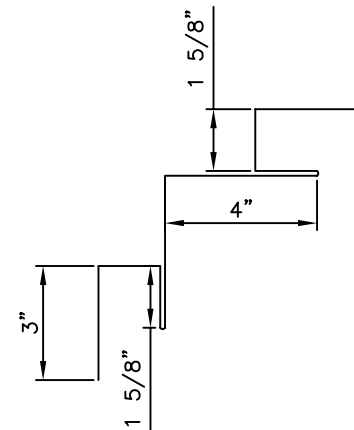
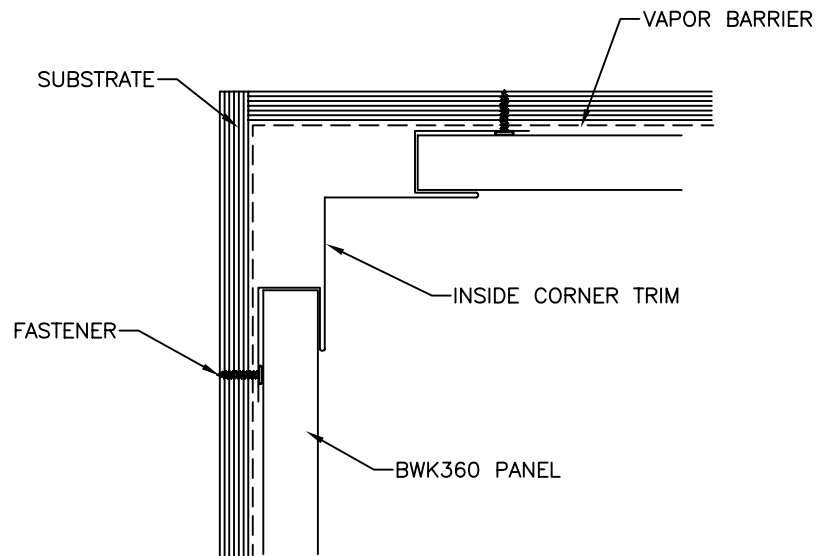
HEAD TRIM



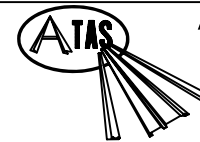
ATAS INTERNATIONAL, INC.
 Allentown PA
 610-395-8445
 Mesa AZ
 480-558-7210

TITLE		BWK360 Head Detail - panel vertical					
DWG NO. / FILE NO.		BWK Head Vertical				SCALE	3"=1'-0"
DRAWN BY	LDS	DATE	7-25-07	APPR. BY	DAS	DATE	7-25-07
REVISION NO.	XXXX	REVISION DATE	MM/DD/YY	APPR. BY	XXXX	APPR. DATE	MM/DD/YY

Rev. No.	Revision Date	Drawn By	Description of Revision
0	7-25-07	LDS	BWK360 Head Detail - panel vertical



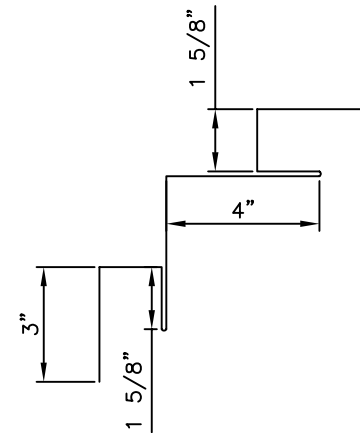
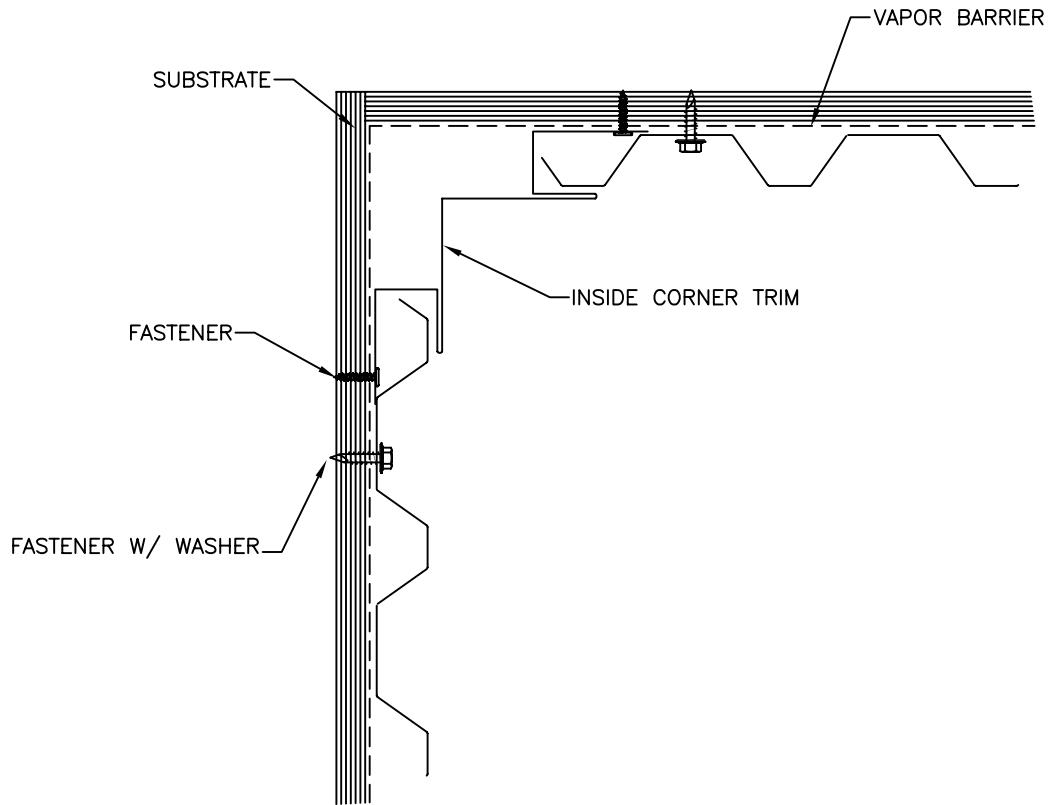
INSIDE CORNER TRIM



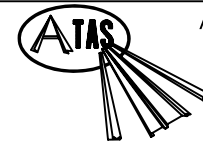
ATAS INTERNATIONAL, INC.
 Allentown PA
 610-395-8445
 Mesa AZ
 480-558-7210

TITLE		BWK360 Inside Corner - panel horizontal					
DWG NO. / FILE NO.		BWK Inside Corner Horizontal				SCALE	3"=1'-0"
DRAWN BY	LDS	DATE	7-25-07	APPR. BY	DAS	DATE	7-25-07
REVISION NO.	XXXX	REVISION DATE	MM/DD/YY	APPR. BY	XXXX	APPR. DATE	MM/DD/YY

Rev. No.	Revision Date	Drawn By	Description of Revision
0	7-25-07	LDS	BWK360 Inside Corner - panel horizontal



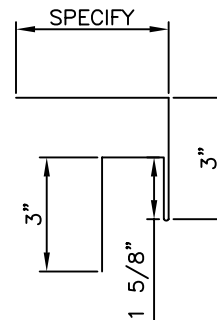
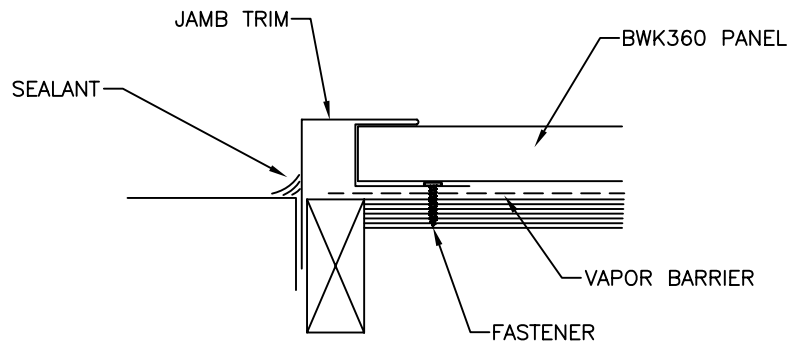
INSIDE CORNER TRIM



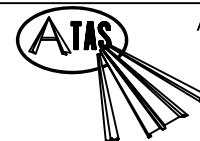
ATAS INTERNATIONAL, INC.
 Allentown PA
 610-395-8445
 Mesa AZ
 480-558-7210

TITLE		BWK360 Inside Corner - panel vertical					
DWG NO. / FILE NO.		BWK Inside Corner Vertical				SCALE	3"=1'-0"
DRAWN BY	LDS	DATE	7-25-07	APPR. BY	DAS	DATE	7-25-07
REVISION NO.	XXXX	REVISION DATE	MM/DD/YY	APPR. BY	XXXX	APPR. DATE	MM/DD/YY

Rev. No.	Revision Date	Drawn By	Description of Revision
0	7-25-07	LDS	BWK360 Inside Corner - panel vertical



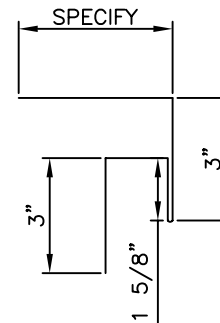
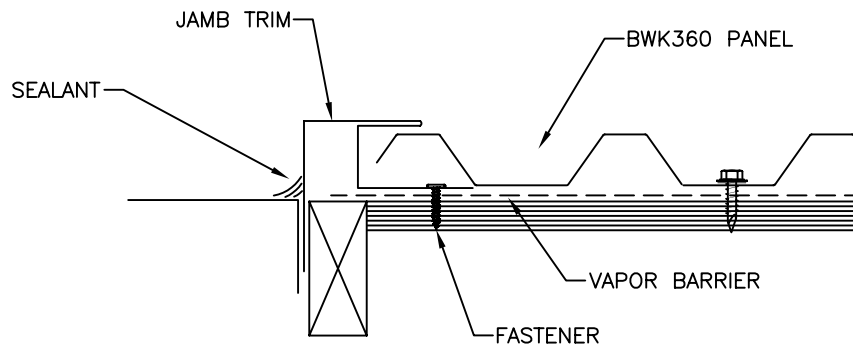
JAMB TRIM



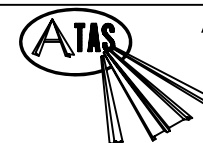
ATAS INTERNATIONAL, INC.
 Allentown PA
 610-395-8445
 Mesa AZ
 480-558-7210

TITLE										BWK360 Jamb Detail - panel horizontal														
DWG NO. / FILE NO.					BWK Jamb Horizontal										SCALE					3"=1'-0"				
DRAWN BY		LDS			DATE			7-25-07			APPR. BY		DAS			DATE			7-25-07					
REVISION NO.		XXXX			REVISION DATE			MM/DD/YY			APPR. BY		XXXX			APPR. DATE			MM/DD/YY					

Rev. No.	Revision Date	Drawn By	Description of Revision
0	7-25-07	LDS	BWK360 Jamb Detail - panel horizontal



JAMB TRIM



ATAS INTERNATIONAL, INC.
 Allentown PA
 610-395-8445
 Mesa AZ
 480-558-7210

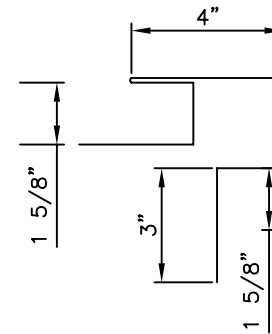
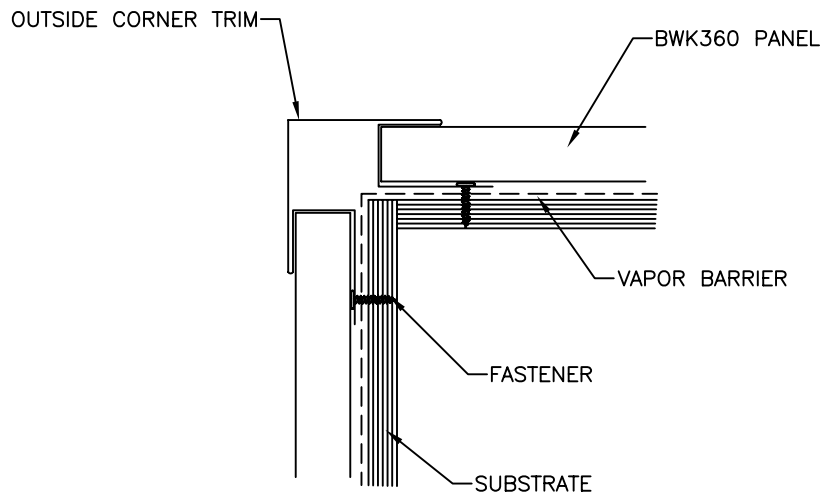
TITLE **BWK360 Jamb Detail - panel vertical**

DWG NO. / FILE NO. **BWK Jamb vertical** SCALE **3"=1'-0"**

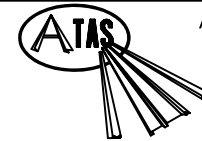
DRAWN BY **LDS** DATE **7-25-07** APPR. BY **DAS** DATE **7-25-07**

REVISION NO. **XXXX** REVISION DATE **MM/DD/YY** APPR. BY **XXXX** APPR. DATE **MM/DD/YY**

Rev. No.	Revision Date	Drawn By	Description of Revision
0	7-25-07	LDS	BWK360 Jamb Detail - panel vertical



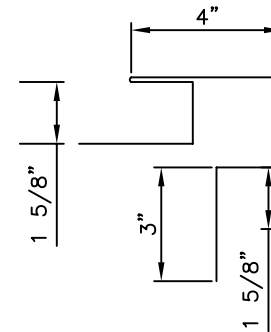
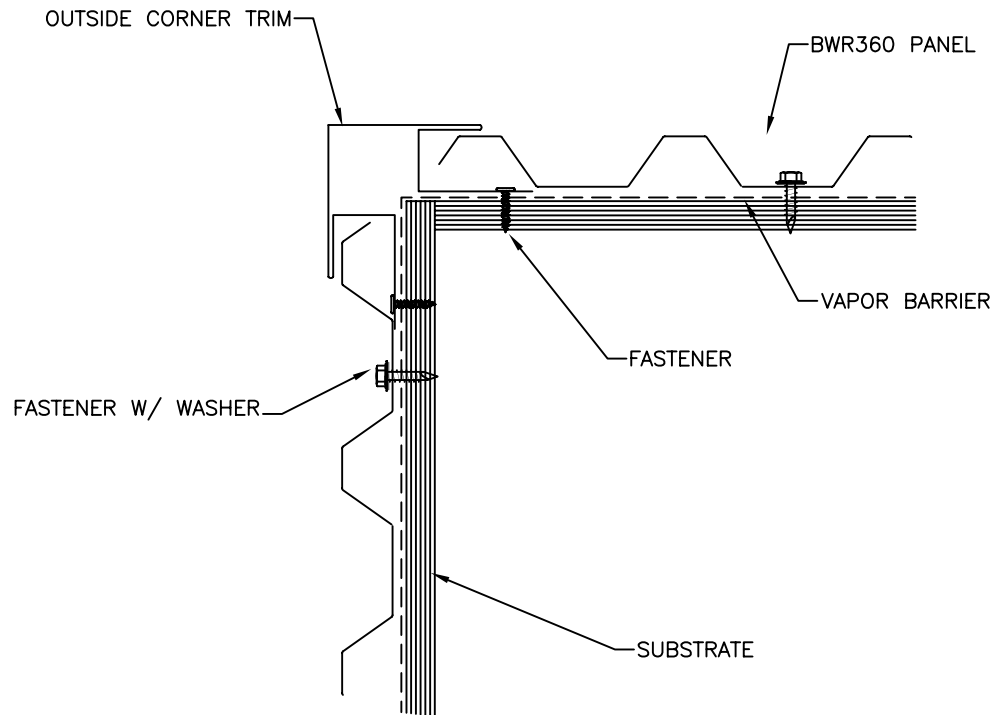
OUTSIDE CORNER TRIM



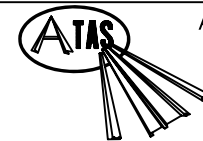
ATAS INTERNATIONAL, INC.
 Allentown PA
 610-395-8445
 Mesa AZ
 480-558-7210

TITLE										BWK360 Outside Corner - panel horizontal			
DWG NO. / FILE NO.		BWK Outside Corner Horizontal						SCALE		3"=1'-0"			
DRAWN BY	LDS	DATE	7-25-07	APPR. BY	DAS	DATE	7-25-07						
REVISION NO.	XXXX	REVISION DATE	MM/DD/YY	APPR. BY	XXXX	APPR. DATE	MM/DD/YY						

Rev. No.	Revision Date	Drawn By	Description of Revision
0	7-25-07	LDS	BWK360 Outside Corner - panel horizontal



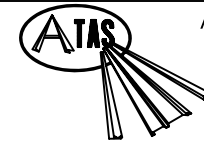
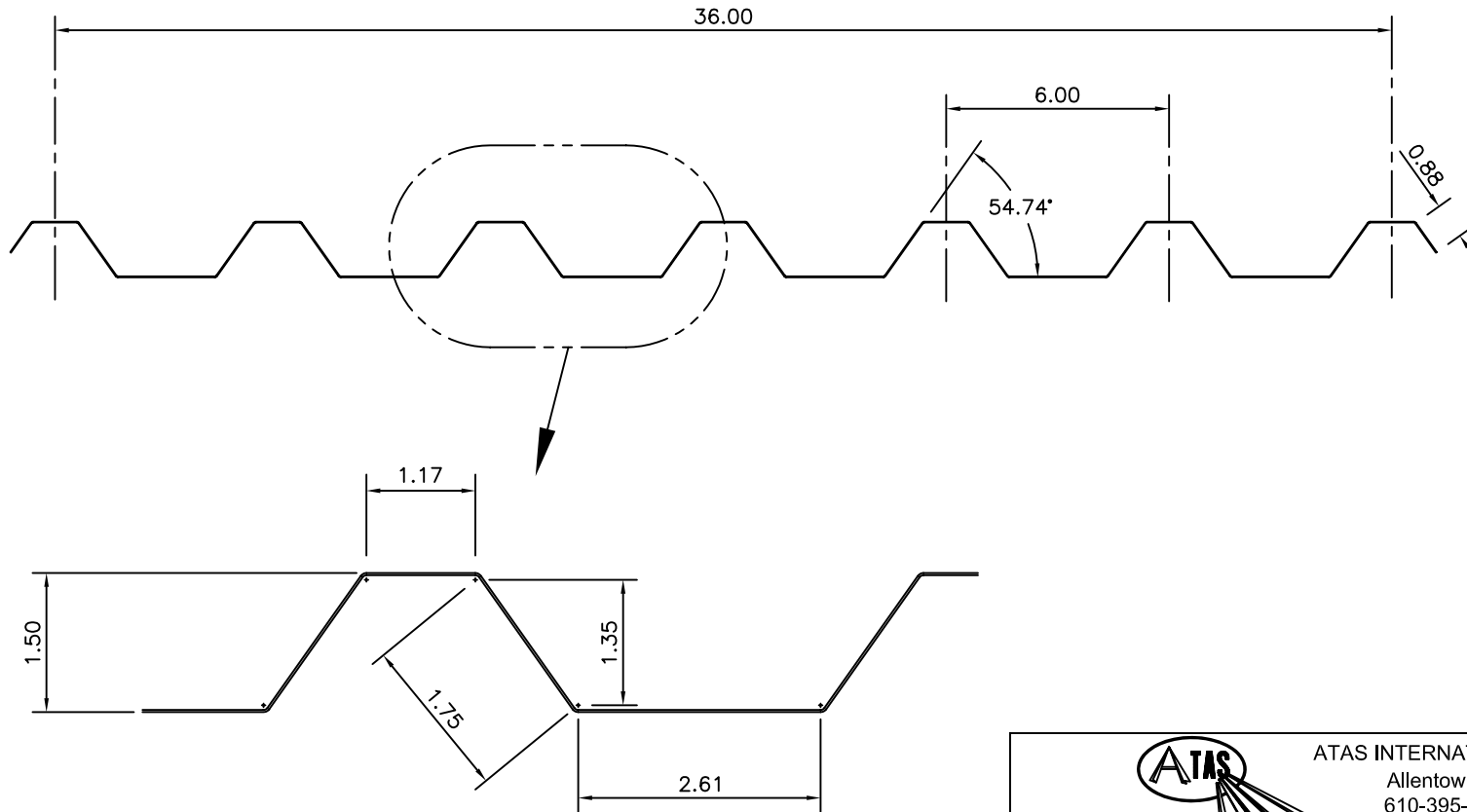
OUTSIDE CORNER TRIM



ATAS INTERNATIONAL, INC.
 Allentown PA
 610-395-8445
 Mesa AZ
 480-558-7210

TITLE		BWK360Outside Corner - panel vertical					
DWG NO. / FILE NO.		BWK Outside Corner Vertical				SCALE	3"=1'-0"
DRAWN BY	LDS	DATE	7-25-07	APPR. BY	DAS	DATE	7-25-07
REVISION NO.	XXXX	REVISION DATE	MM/DD/YY	APPR. BY	XXXX	APPR. DATE	MM/DD/YY

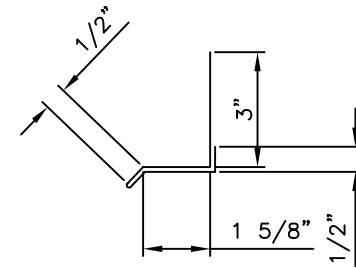
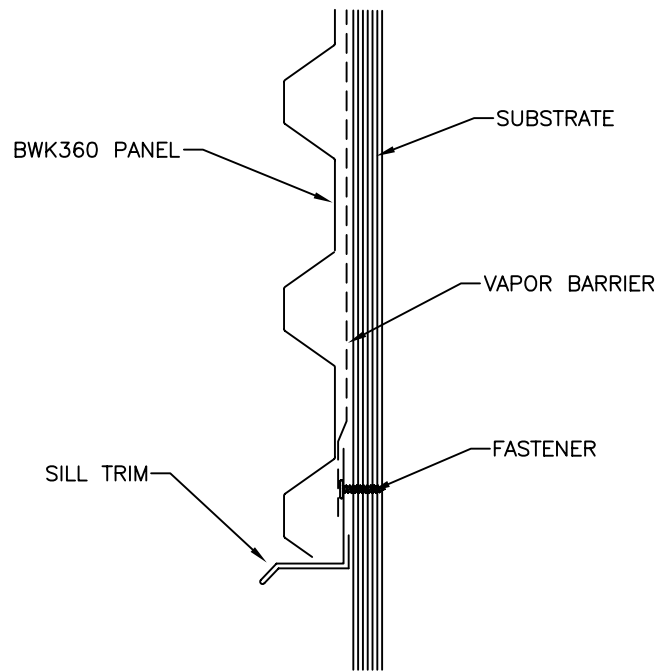
Rev. No.	Revision Date	Drawn By	Description of Revision
0	7-25-07	LDS	BWK360 Outside Corner - panel vertical



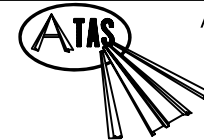
ATAS INTERNATIONAL, INC.
 Allentown PA
 610-395-8445
 Mesa AZ
 480-558-7210

TITLE										BWK360 Profile					
DWG NO. / FILE NO.						BWK profile				SCALE		3"=1'-0"			
DRAWN BY		LDS		DATE		7-25-07		APPR. BY		DAS		DATE		7-25-07	
REVISION NO.		XXXX		REVISION DATE		MM/DD/YY		APPR. BY		XXXX		APPR. DATE		MM/DD/YY	

Rev. No.	Revision Date	Drawn By	Description of Revision
0	7-25-07	LDS	BWK360 Profile



SILL TRIM



ATAS INTERNATIONAL, INC.

Allentown PA
610-395-8445
Mesa AZ
480-558-7210

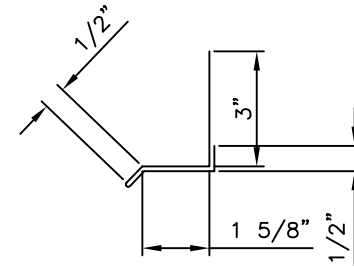
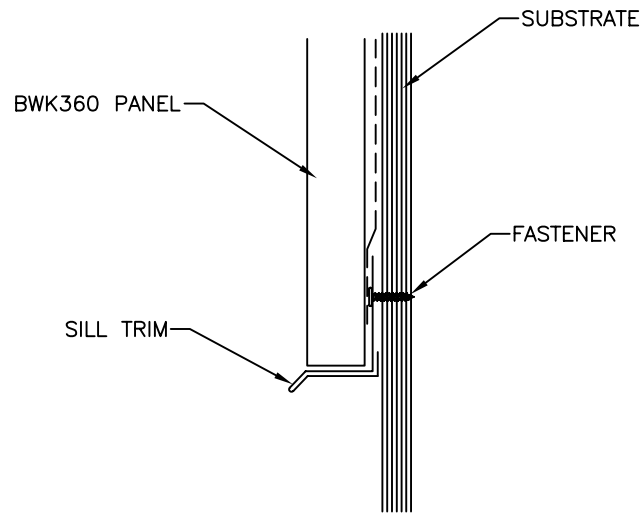
TITLE BWK360 Sill Deatil - panel horizontal

DWG NO. / FILE NO. BWK360 Sill Horizontal SCALE 3"=1'-0"

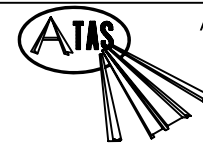
DRAWN BY LDS DATE 7-25-07 APPR. BY DAS DATE 7-25-07

REVISION NO. XXXX REVISION DATE MM/DD/YY APPR. BY XXXX APPR. DATE MM/DD/YY

Rev. No.	Revision Date	Drawn By	Description of Revision
0	7-25-07	LDS	BWK360 Sill Deatil - panel horizontal



SILL TRIM



ATAS INTERNATIONAL, INC.

Allentown PA
610-395-8445
Mesa AZ
480-558-7210

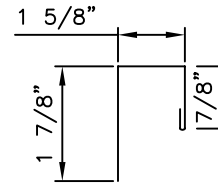
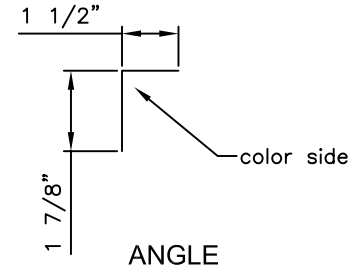
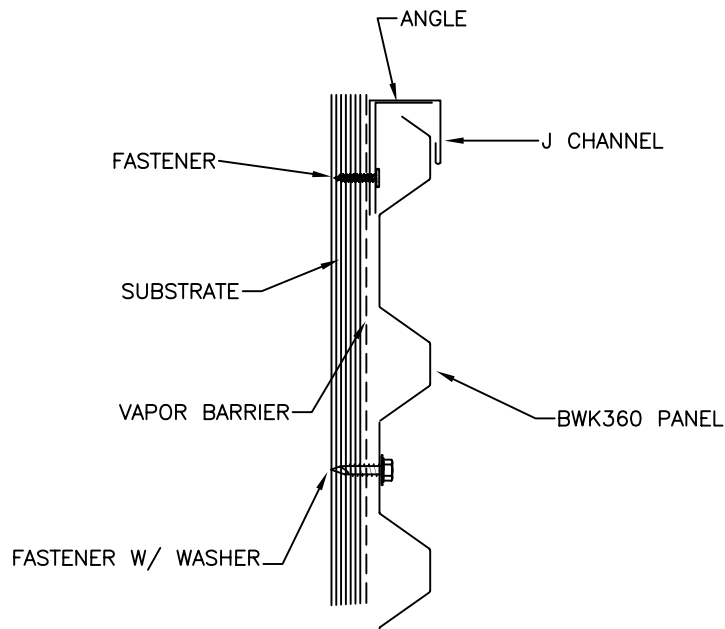
TITLE **BWK360 Sill Detail - panel vertical**

DWG NO. / FILE NO. **BWK Sill Vertical** SCALE **3"=1'-0"**

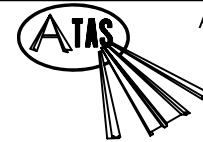
DRAWN BY **LDS** DATE **7-25-07** APPR. BY **DAS** DATE **7-25-07**

REVISION NO. **XXXX** REVISION DATE **MM/DD/YY** APPR. BY **XXXX** APPR. DATE **MM/DD/YY**

Rev. No.	Revision Date	Drawn By	Description of Revision
0	7-25-07	LDS	BWK360 Sill Detail - panel vertical



J CHANNEL (DSA158)

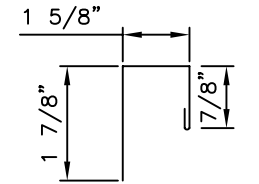
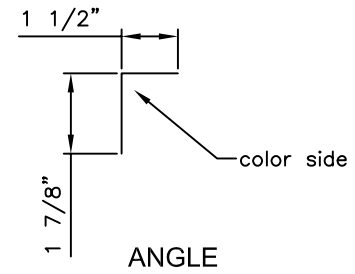
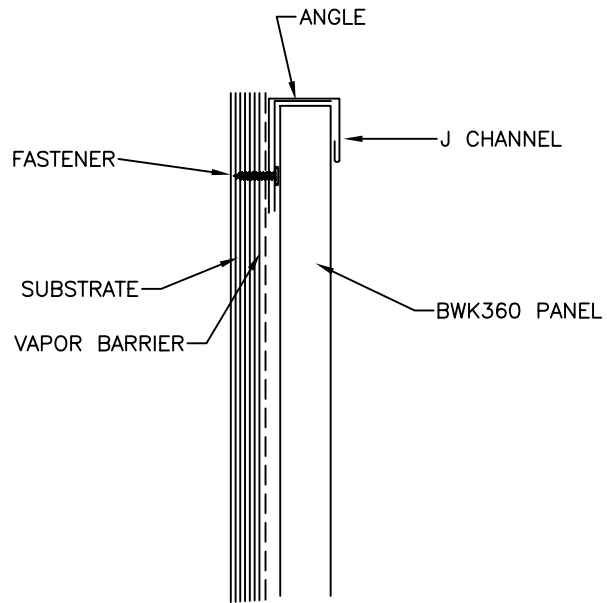


ATAS INTERNATIONAL, INC.

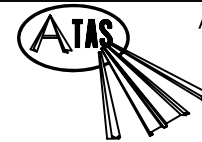
Allentown PA
610-395-8445
Mesa AZ
480-558-7210

TITLE		BWK360 Top Detail - panel horizontal					
DWG NO. / FILE NO.		BWK Top Horizontal				SCALE	3"=1'-0"
DRAWN BY	LDS	DATE	7-25-07	APPR. BY	DAS	DATE	7-25-07
REVISION NO.	XXXX	REVISION DATE	MM/DD/YY	APPR. BY	XXXX	APPR. DATE	MM/DD/YY

Rev. No.	Revision Date	Drawn By	Description of Revision
0	7-25-07	LDS	BWK360 Top Detail - panel horizontal



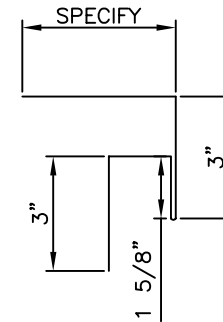
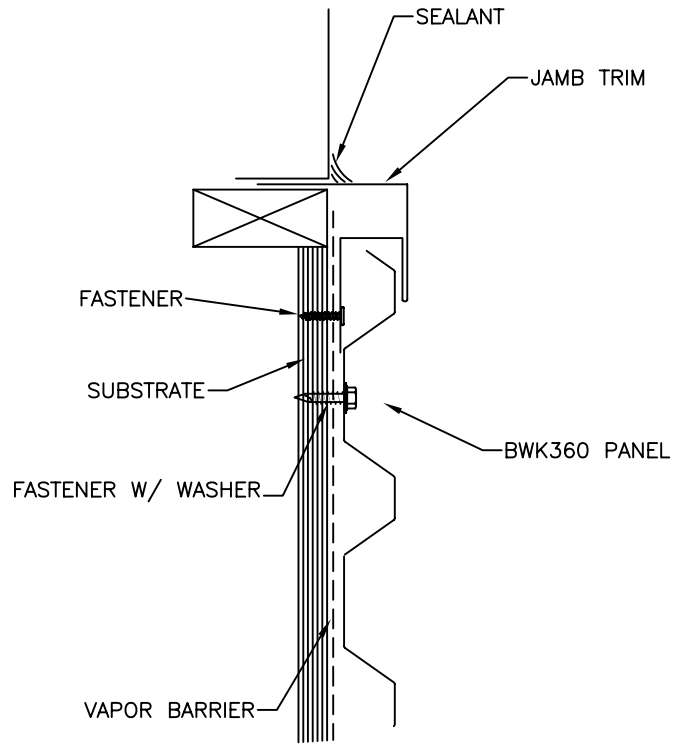
J CHANNEL (DSA158)



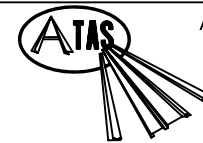
ATAS INTERNATIONAL, INC.
 Allentown PA
 610-395-8445
 Mesa AZ
 480-558-7210

TITLE										BWK360 Top Detail - panel vertical					
DWG NO. / FILE NO.						BWK Top Vertical				SCALE		3"=1'-0"			
DRAWN BY		LDS		DATE		7-25-07		APPR. BY		DAS		DATE		7-25-07	
REVISION NO.		XXXX		REVISION DATE		MM/DD/YY		APPR. BY		XXXX		APPR. DATE		MM/DD/YY	

Rev. No.	Revision Date	Drawn By	Description of Revision
0	7-25-07	LDS	BWK360 Top Detail - panel vertical



JAMB TRIM



ATAS INTERNATIONAL, INC.
 Allentown PA
 610-395-8445
 Mesa AZ
 480-558-7210

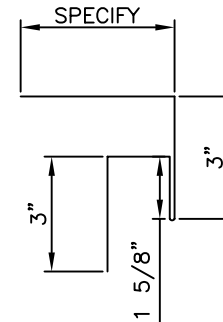
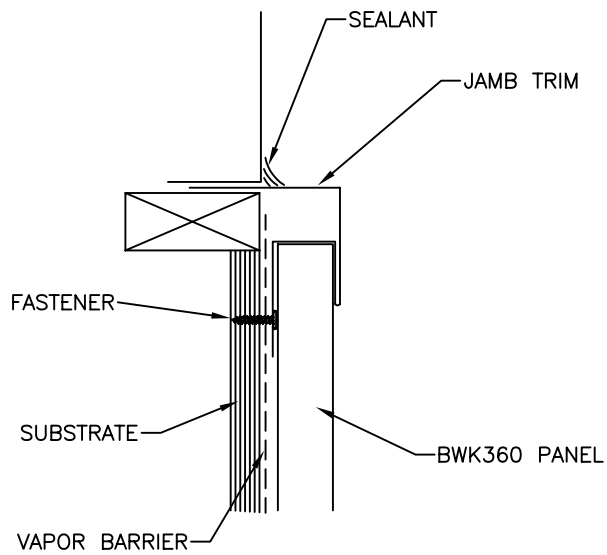
TITLE **BWK360 Window Sill Detail - panel horizontal**

DWG NO. / FILE NO. **BWK Window Sill Horizontal** SCALE **3"=1'-0"**

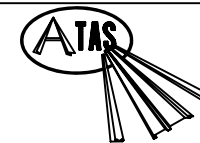
DRAWN BY **LDS** DATE **7-25-07** APPR. BY **DAS** DATE **7-25-07**

REVISION NO. **XXXX** REVISION DATE **MM/DD/YY** APPR. BY **XXXX** APPR. DATE **MM/DD/YY**

Rev. No.	Revision Date	Drawn By	Description of Revision
0	7-25-07	LDS	BWK360 Window Sill Detail - panel horizontal



JAMB TRIM



ATAS INTERNATIONAL, INC.

Allentown PA
610-395-8445
Mesa AZ
480-558-7210

TITLE BWK360 Window Sill Detail - panel Vertical

DWG NO. / FILE NO. BWK Window Sill Vertical SCALE 3"=1'-0"

DRAWN BY LDS DATE 7-25-07 APPR. BY DAS DATE 7-25-07

REVISION NO. XXXX REVISION DATE MM/DD/YY APPR. BY XXXX APPR. DATE MM/DD/YY

Rev. No.	Revision Date	Drawn By	Description of Revision
0	7-25-07	LDS	BWK360 Window Sill Detail - panel Vertical