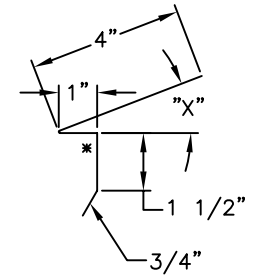
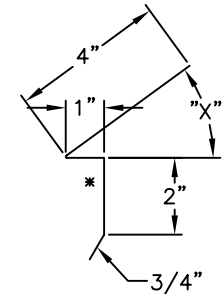


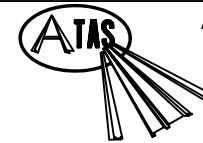
⑤ - EAVE TRIM
For roof slopes 2/12 to 4/12



⑤ - EAVE TRIM
For roof slopes 4/12 to 8/12



⑤ - EAVE TRIM
For roof slopes 8/12 to 12/12



ATAS INTERNATIONAL, INC.
Allentown PA
610-395-8445
Mesa AZ
480-558-7210

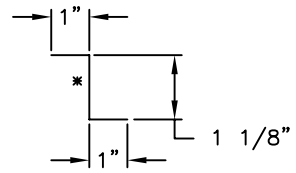
TITLE **FLL Eave - Ply**

DWG NO. / FILE NO. **FLL Eave - Ply** SCALE **3"=1'-0"**

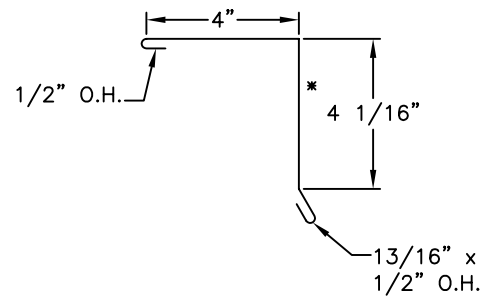
DRAWN BY **DAS** DATE **3-6-06** APPR. BY **JEB** DATE **5-31-06**

REVISION NO. **XXXX** REVISION DATE **MM/DD/YY** APPR. BY **XXXX** APPR. DATE **MM/DD/YY**

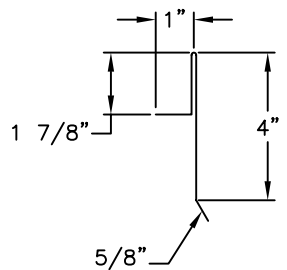
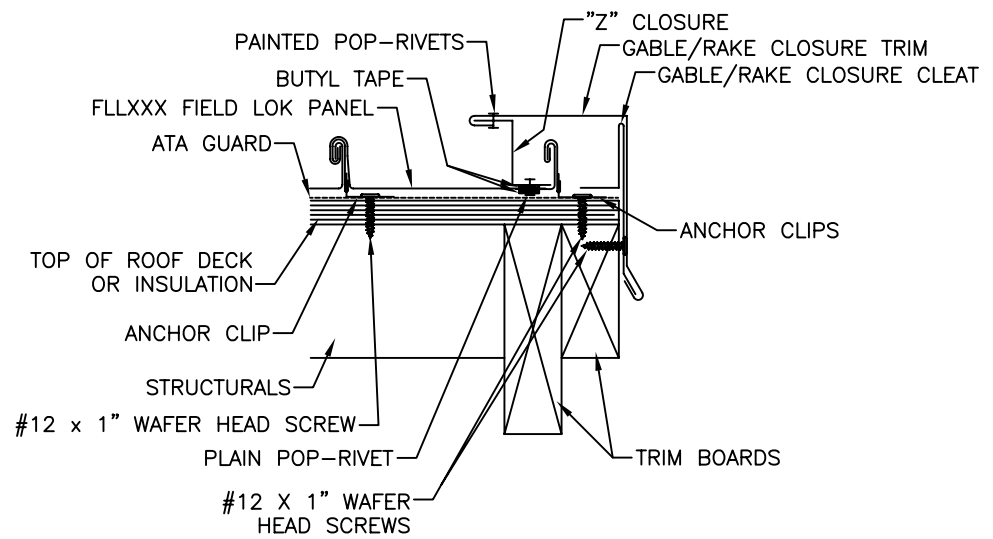
Rev. No.	Revision Date	Drawn By	Description of Revision
0	5-31-06	DAS	FLL Eave - Ply



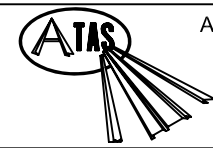
"Z" CLOSURE



GABLE/RAKE TRIM



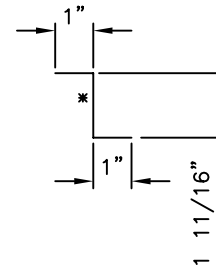
GABLE/RAKE STARTER CLEAT



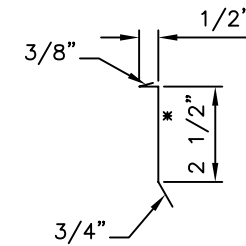
ATAS INTERNATIONAL, INC.
 Allentown PA
 610-395-8445
 Mesa AZ
 480-558-7210

TITLE		FLL Ending Gable - Ply					
DWG NO. / FILE NO.		FLL Ending Gable - Ply				SCALE	3"=1'-0"
DRAWN BY	DAS	DATE	3-6-06	APPR. BY	JEB	DATE	5-31-06
REVISION NO.	XXXX	REVISION DATE	MM/DD/YY	APPR. BY	XXXX	APPR. DATE	MM/DD/YY

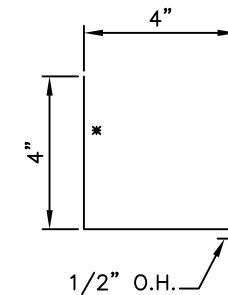
Rev. No.	Revision Date	Drawn By	Description of Revision
0	5-31-06	DAS	FLL Ending Gable - Ply



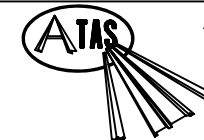
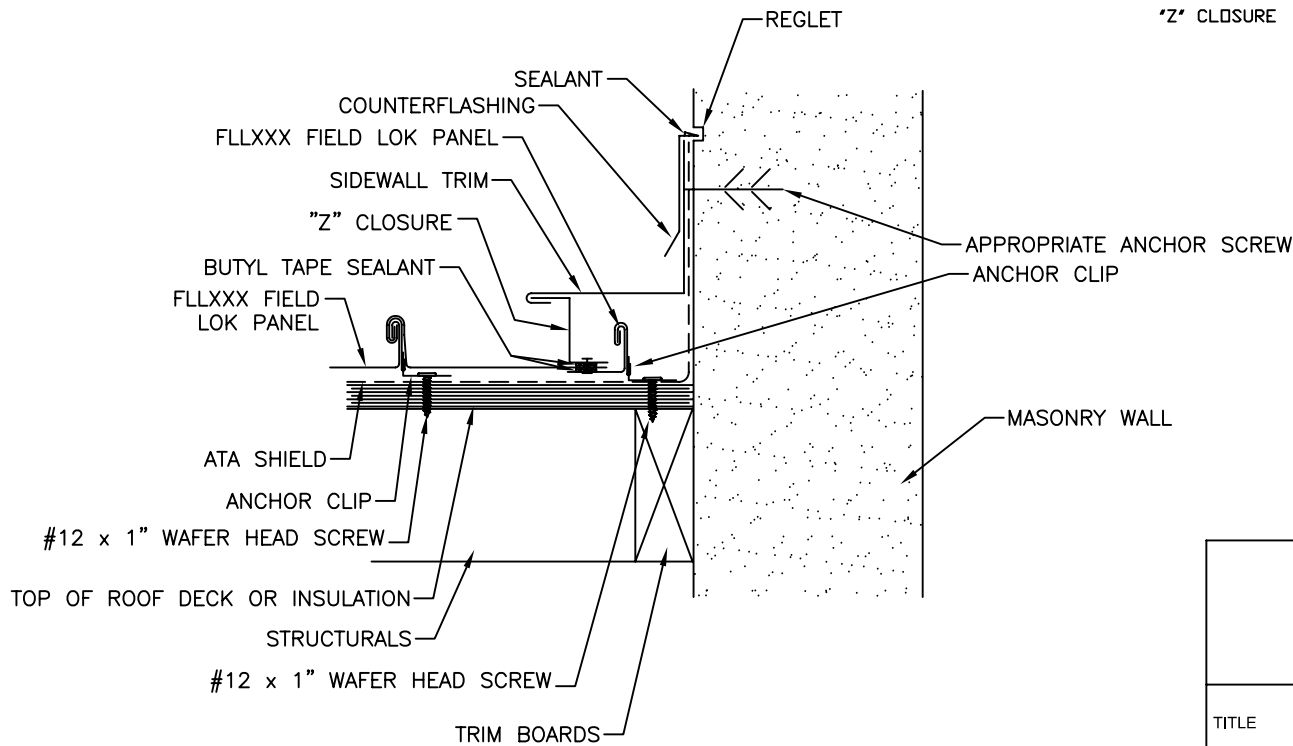
"Z" CLOSURE



COUNTERFLASHING



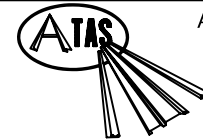
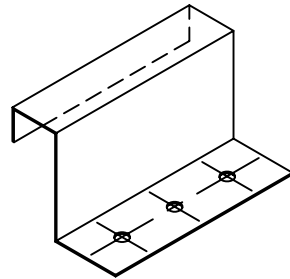
SIDEWALL TRIM



ATAS INTERNATIONAL, INC.
 Allentown PA
 610-395-8445
 Mesa AZ
 480-558-7210

TITLE		FLL Ending Rake Sidewall - Ply					
DWG NO. / FILE NO.		FLL Ending Rake Sidewall - Ply				SCALE	3"=1'-0"
DRAWN BY	DAS	DATE	3-6-06	APPR. BY	JEB	DATE	5-31-06
REVISION NO.	XXXX	REVISION DATE	MM/DD/YY	APPR. BY	XXXX	APPR. DATE	MM/DD/YY

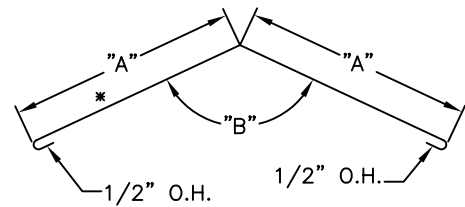
Rev. No.	Revision Date	Drawn By	Description of Revision
0	5-31-06	DAS	FLL Ending Rake Sidewall - Ply



ATAS INTERNATIONAL, INC.
 Allentown PA
 610-395-8445
 Mesa AZ
 480-558-7210

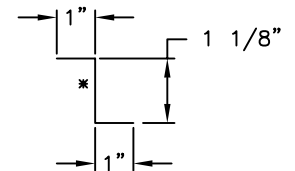
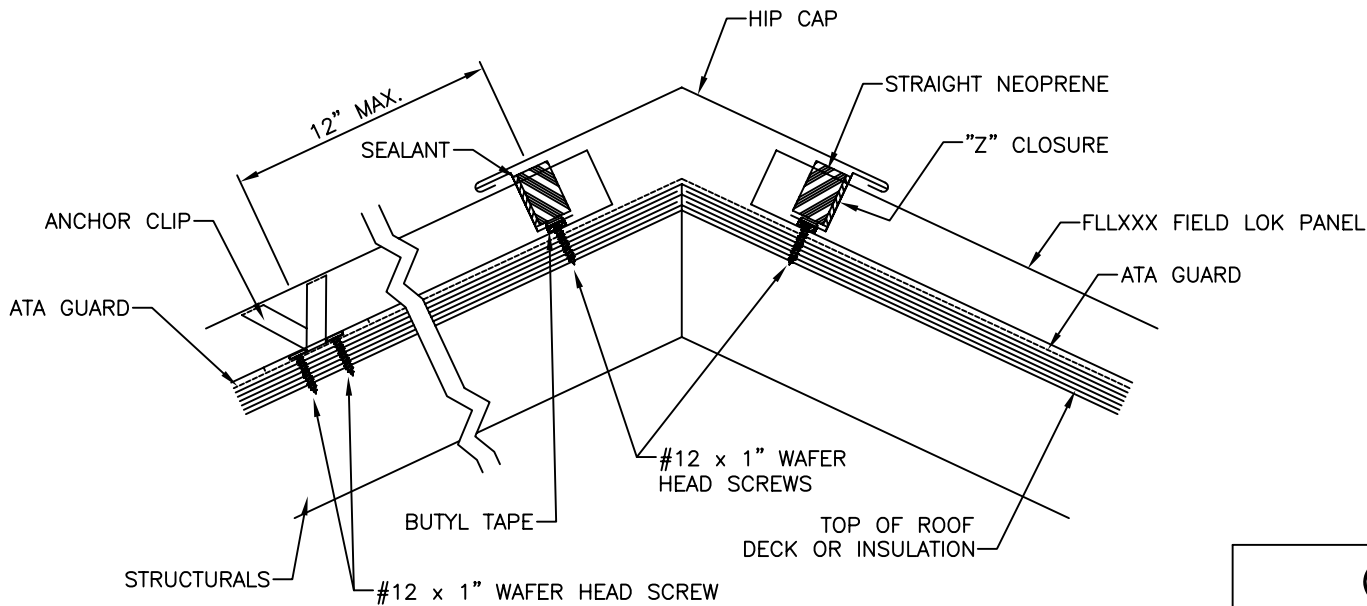
TITLE		FLL Fixed Clip					
DWG NO. / FILE NO.		FLL Fixed Clip				SCALE	3"=1'-0"
DRAWN BY	DAS	DATE	3-6-06	APPR. BY	JEB	DATE	5-31-06
REVISION NO.	XXXX	REVISION DATE	MM/DD/YY	APPR. BY	XXXX	APPR. DATE	MM/DD/YY

Rev. No.	Revision Date	Drawn By	Description of Revision
0	5-31-06	DAS	FLL Fixed Clip

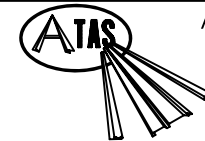


HIP CAP

DIM. "A" AND ANGLE "B" TO BE SPECIFIED BY CUSTOMER OR FURNISH ATAS WITH THE ROOF SLOPES INVOLVED.



"Z" CLOSURE



ATAS INTERNATIONAL, INC.

Allentown PA
610-395-8445
Mesa AZ
480-558-7210

TITLE

FLL Hip - Ply

DWG NO. / FILE NO.

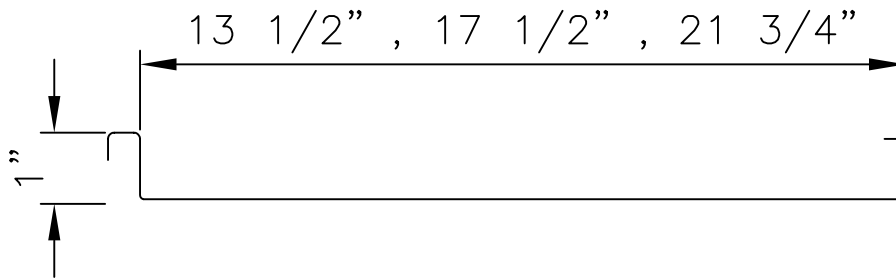
FLL Hip - Ply

SCALE 3"=1'-0"

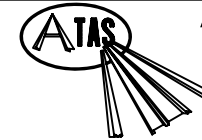
Rev. No.	Revision Date	Drawn By	Description of Revision
----------	---------------	----------	-------------------------

0	5-31-06	DAS	FLL Hip - Ply
---	---------	-----	---------------

DRAWN BY	DAS	DATE	3-6-06	APPR. BY	JEB	DATE	5-31-06
REVISION NO.	XXXX	REVISION DATE	MM/DD/YY	APPR. BY	XXXX	APPR. DATE	MM/DD/YY



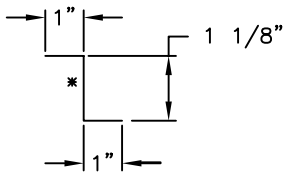
FLL - 1" Field Lok Panel
Panel Profile



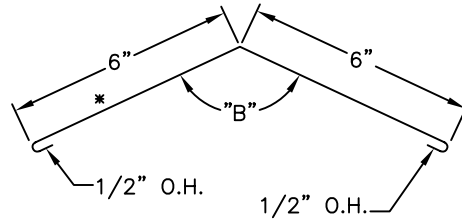
ATAS INTERNATIONAL, INC.
 Allentown PA
 610-395-8445
 Mesa AZ
 480-558-7210

TITLE		FLL Panel Profile					
DWG NO. / FILE NO.		FLL Panel Profile				SCALE	1"=1"
DRAWN BY	DAS	DATE	3-6-06	APPR. BY	JEB	DATE	5-31-06
REVISION NO.	XXXX	REVISION DATE	MM/DD/YY	APPR. BY	XXXX	APPR. DATE	MM/DD/YY

Rev. No.	Revision Date	Drawn By	Description of Revision
0	5-31-06	DAS	FLL Panel Profile

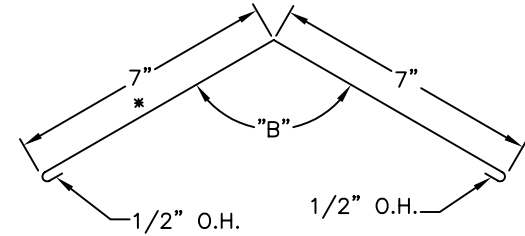


'Z' CLOSURE



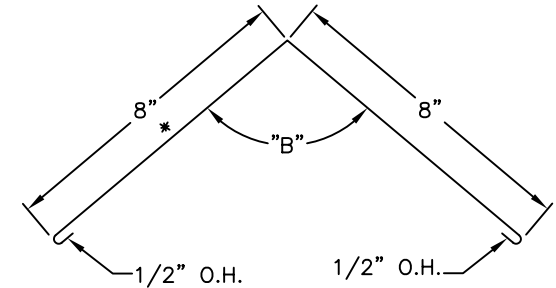
RIDGE CAP

Roof slopes 3/12 to 6/12
Ridge splice to match ridge cap 6' long each; MDA311



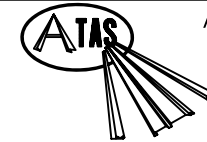
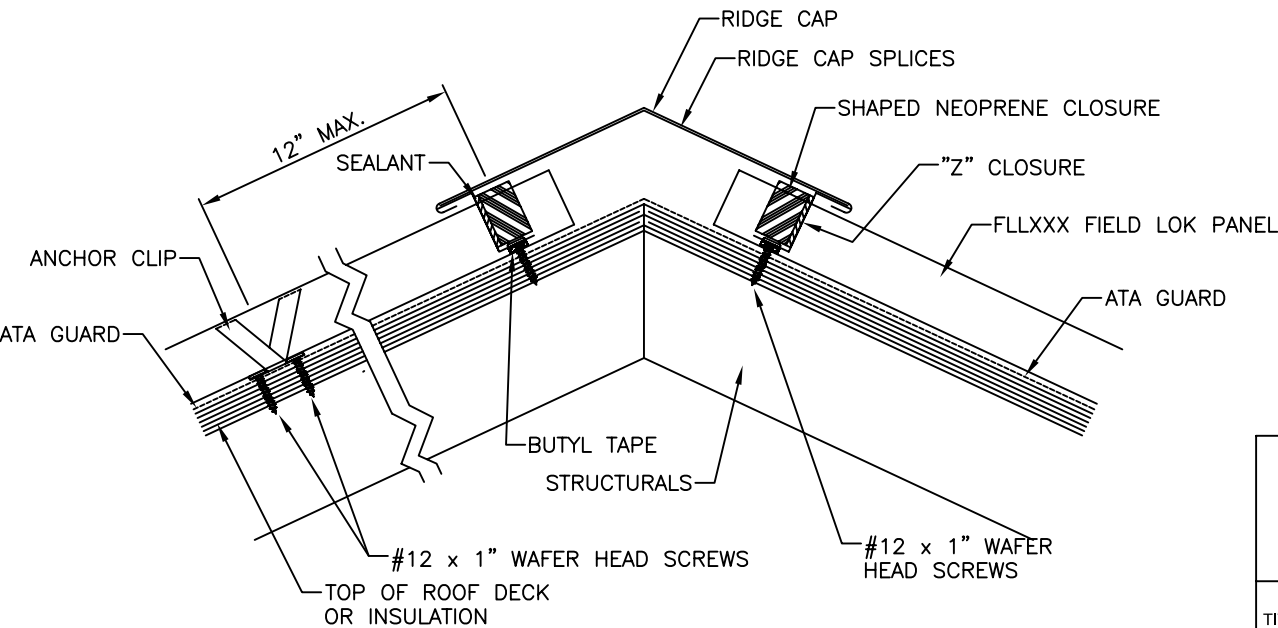
RIDGE CAP

Roof slopes 6/12 to 9/12
Ridge splice to match ridge cap 6' long each; MDA312



RIDGE CAP

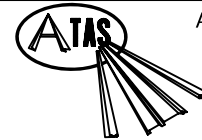
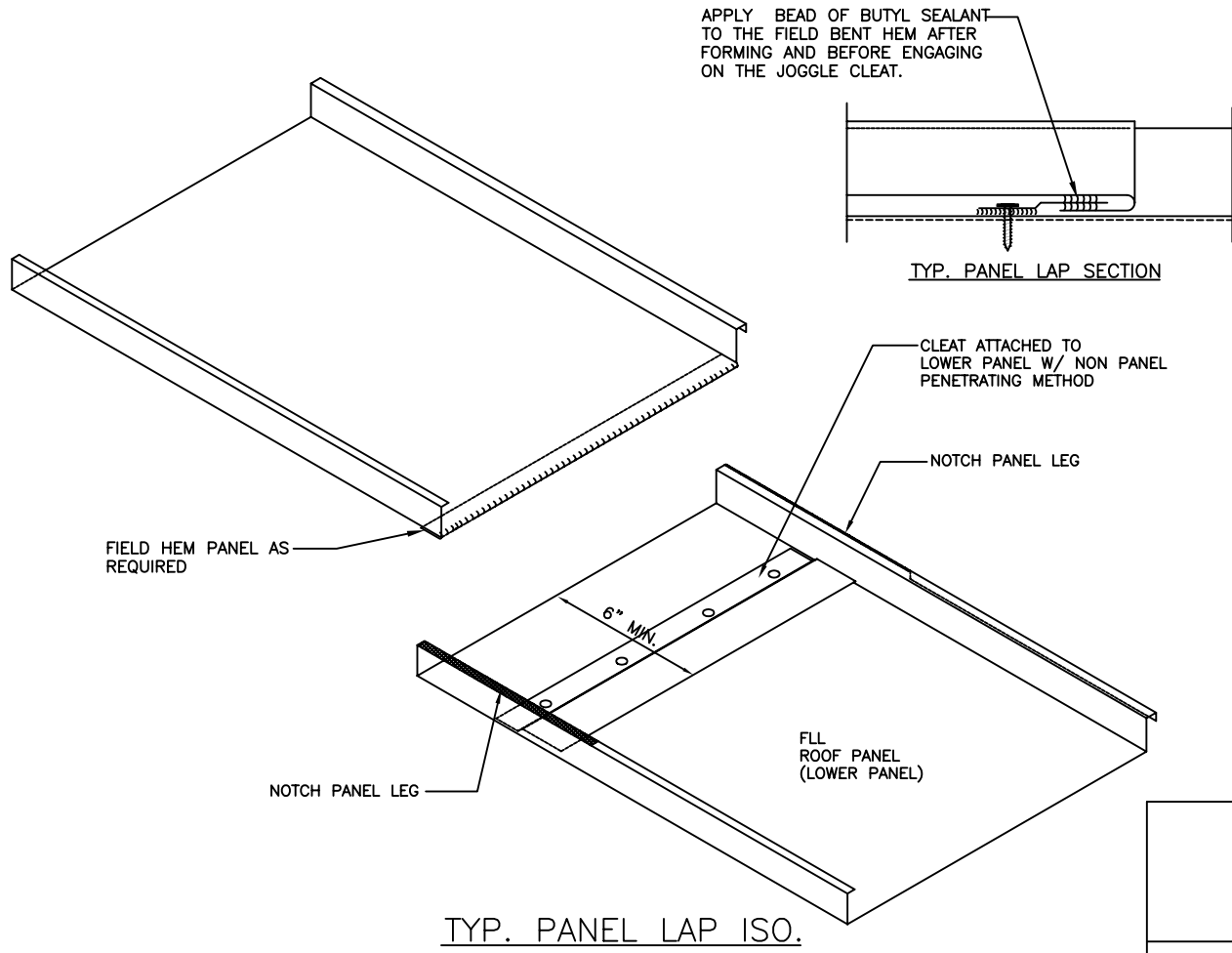
Roof slopes 9/12 to 12/12
Ridge splice to match ridge cap 6' long each; MDA313



ATAS INTERNATIONAL, INC.
Allentown PA
610-395-8445
Mesa AZ
480-558-7210

TITLE		FLL Ridge - Ply					
DWG NO. / FILE NO.		FLL Ridge - Ply			SCALE	3"=1'-0"	
DRAWN BY	DAS	DATE	3-6-06	APPR. BY	JEB	DATE	5-31-06
REVISION NO.	XXXX	REVISION DATE	MM/DD/YY	APPR. BY	XXXX	APPR. DATE	MM/DD/YY

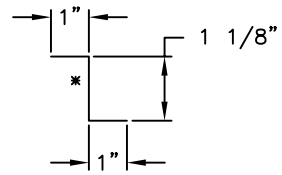
Rev. No.	Revision Date	Drawn By	Description of Revision
0	5-31-06	DAS	FLL Ridge - Ply



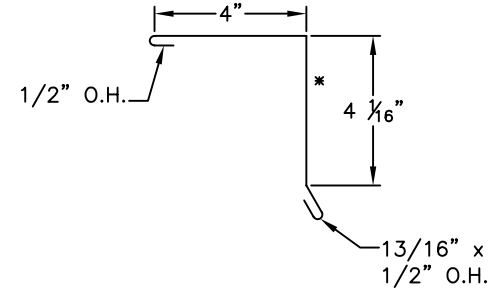
ATAS INTERNATIONAL, INC.
 Allentown PA
 610-395-8445
 Mesa AZ
 480-558-7210

TITLE		FLL Splice					
DWG NO. / FILE NO.		FLL Splice				SCALE	3"=1'-0"
DRAWN BY	DAS	DATE	3-6-06	APPR. BY	JEB	DATE	5-31-06
REVISION NO.	XXXX	REVISION DATE	MM/DD/YY	APPR. BY	XXXX	APPR. DATE	MM/DD/YY

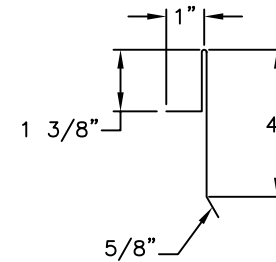
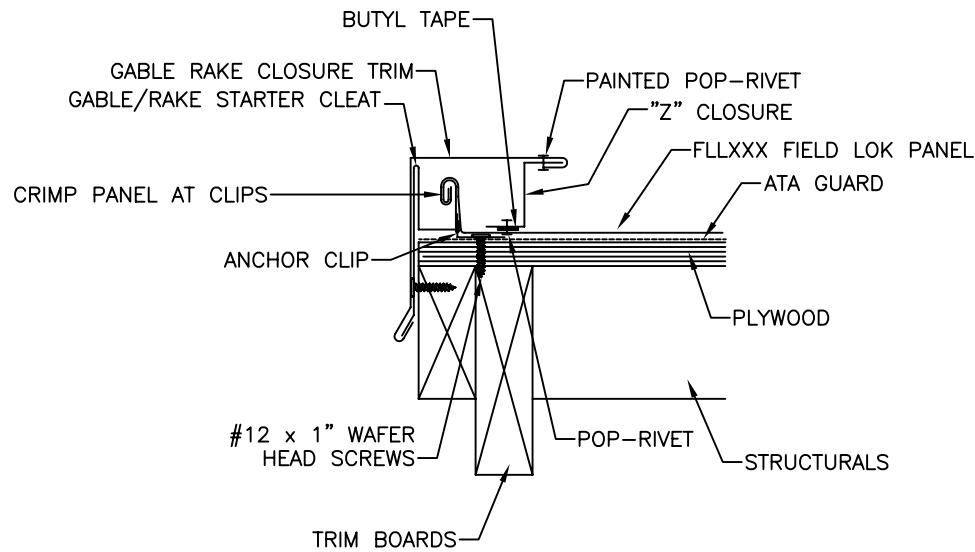
Rev. No.	Revision Date	Drawn By	Description of Revision
0	5-31-06	DAS	FLL Splice



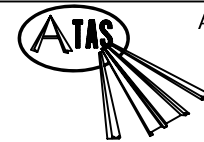
"Z" CLOSURE



GABLE/RAKE TRIM



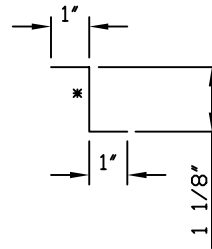
GABLE/RAKE STARTER CLEAT



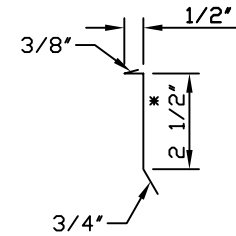
ATAS INTERNATIONAL, INC.
 Allentown PA
 610-395-8445
 Mesa AZ
 480-558-7210

TITLE										FLL Starting Gable - Ply					
DWG NO. / FILE NO.										FLL Starting Gable - Ply				SCALE	3"=1'-0"
DRAWN BY	DAS	DATE	3-6-06	APPR. BY	JEB	DATE	5-31-06								
REVISION NO.	XXXX	REVISION DATE	MM/DD/YY	APPR. BY	XXXX	APPR. DATE	MM/DD/YY								

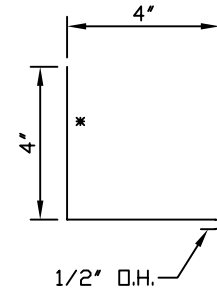
Rev. No.	Revision Date	Drawn By	Description of Revision
0	5-31-06	DAS	FLL Starting Gable - Ply



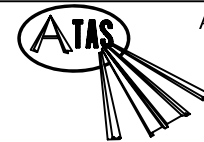
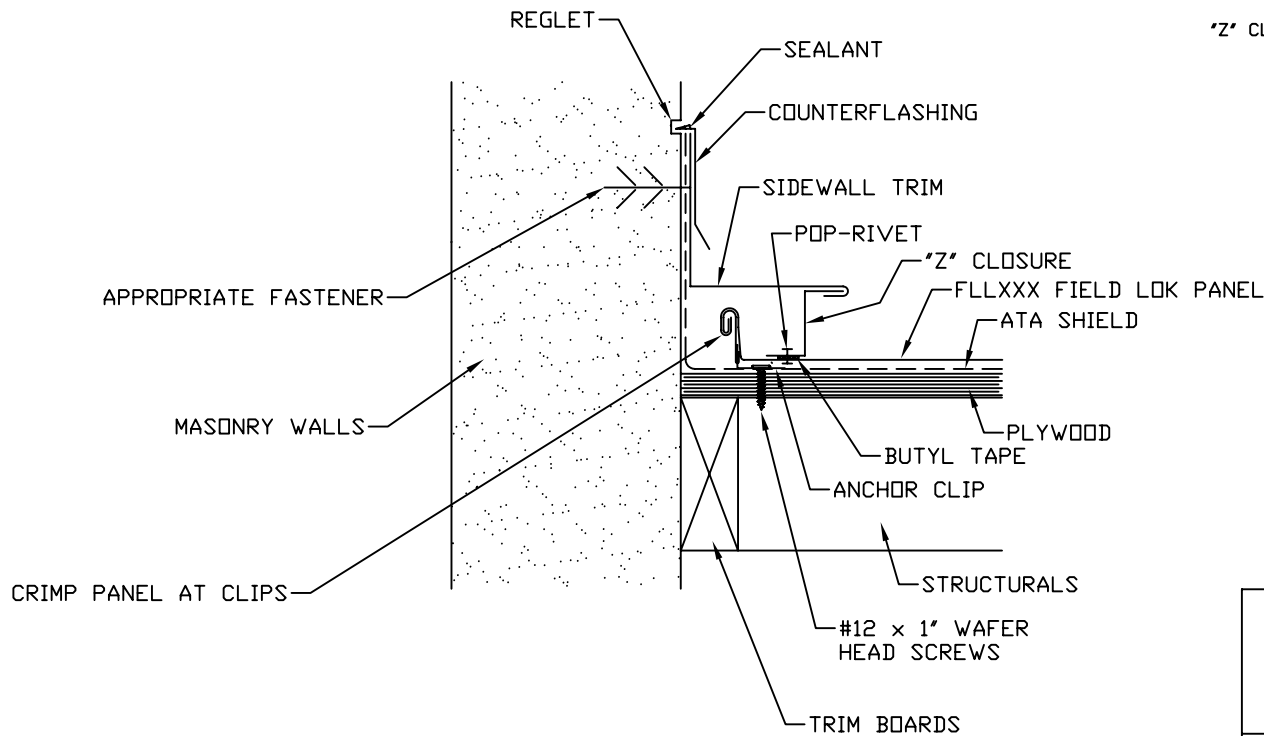
Z CLOSURE



COUNTERFLASHING



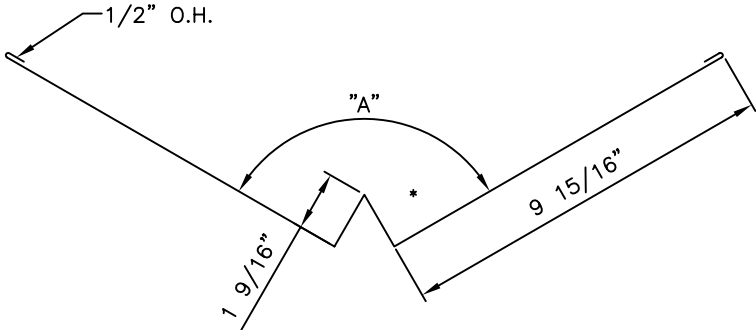
SIDEWALL TRIM



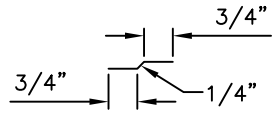
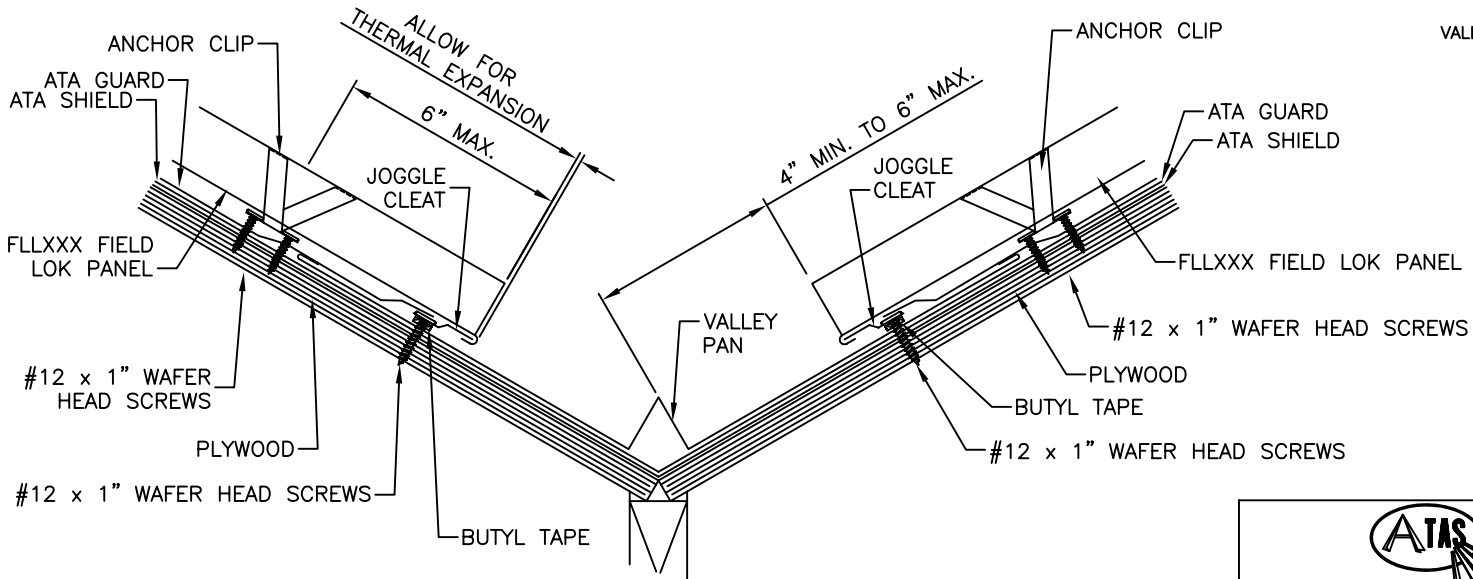
ATAS INTERNATIONAL, INC.
 Allentown PA
 610-395-8445
 Mesa AZ
 480-558-7210

TITLE								FLL Starting Rake Sidewall - Ply							
DWG NO. / FILE NO.				FLL Starting Rake Sidewall - Ply				SCALE				3"=1'-0"			
DRAWN BY		DAS		DATE		3-6-06		APPR. BY		JEB		DATE		5-31-06	
REVISION NO.		XXXX		REVISION DATE		MM/DD/YY		APPR. BY		XXXX		APPR. DATE		MM/DD/YY	

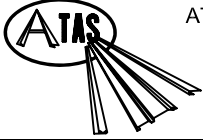
Rev. No.	Revision Date	Drawn By	Description of Revision
0	5-31-06	DAS	FLL Starting Rake Sidewall - Ply



VALLEY PAN



JOGGLE CLEAT
Will be furnished in either 24 ga. steel or .032 aluminum. No particular color.



ATAS INTERNATIONAL, INC.
Allentown PA
610-395-8445
Mesa AZ
480-558-7210

TITLE		FLL Valley - Ply					
DWG NO. / FILE NO.		FLL Valley - Ply			SCALE	3"=1'-0"	
DRAWN BY	DAS	DATE	3-6-06	APPR. BY	JEB	DATE	5-31-06
REVISION NO.	XXXX	REVISION DATE	MM/DD/YY	APPR. BY	XXXX	APPR. DATE	MM/DD/YY

Rev. No.	Revision Date	Drawn By	Description of Revision
0	5-31-06	DAS	FLL Valley - Ply