

# ATAS International, Inc.

Sustainable Building Envelope Technology

## FASCIA INSIDE AND OUTSIDE MITERS ACCESSORY SHEET

### Fascia System

- Drip Edge Fascia
- Gravel Stop Fascia
- Edge-Lok 2 Fascia
- Edge-Lok 3 Fascia
- Rapid-Lok Fascia
- Rapid-Lok Extruded Fascia

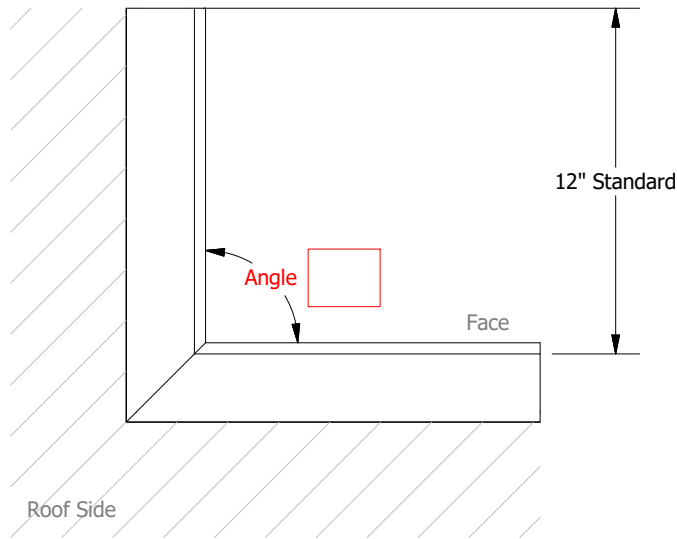
### Accessory Type

- Pre-Finished, Fabricated and Sealed
- Welded and Post-Finished \*050 & 063 Alum only

### Materials:

- 24 Ga Steel
- 22 Ga Steel
- 0.040 Aluminum
- 0.050 Aluminum
- 0.063 Aluminum
- Other: \_\_\_\_\_
- Color: \_\_\_\_\_
- Finish: \_\_\_\_\_

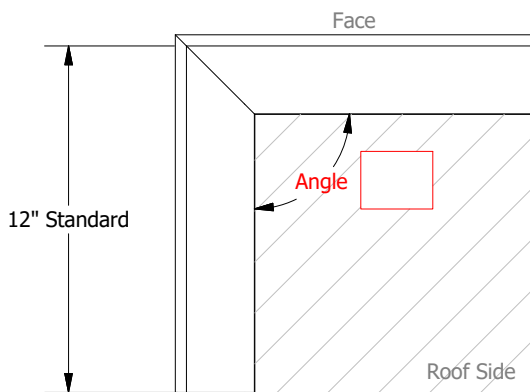
## INSIDE MITER QTY: \_\_\_\_\_



### Additional Notes:

Front Face Dimension(C): \_\_\_\_\_  
 \*see product spec sheet for standard sizes

## OUTSIDE MITER QTY: \_\_\_\_\_



### Additional Notes:

Front Face Dimension(C): \_\_\_\_\_  
 \*see product spec sheet for standard sizes