



ATAS International, Inc.

Sustainable Building Envelope Technology



Curved metal panels
provide a new angle on
design capabilities



THINK OUTSIDE THE BOX
ARC PANELS

BOX STYLE RIBBED PANELS...WITH A CURVE: ARC-METAFOR™

For unlimited design options, durability, and versatility for mansard, fascia, and barrel vault construction, choose from the ATAS Arc Panels series. By curving Arc-Metafor, the strength of the panel is increased and the system can be installed directly to the framing, saving time and money.

ARC-METAFOR™ DESIGN ADVANTAGES:

Arc-Metafor's Wind-Lok™ interlock design guards against wind-driven rain and wind uplift. No special tools are required to install the system; just hook, pull and fasten.

LONGEVITY:

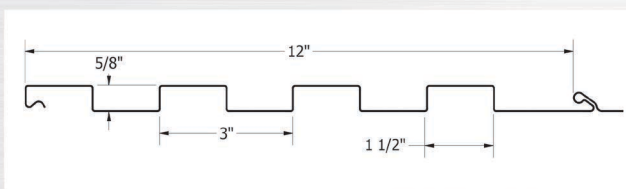
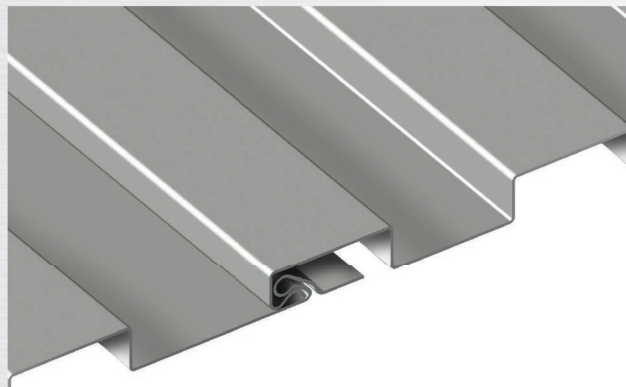
- Fire-resistant – will not burn or support combustion
- May be an insurance advantage
- Will not warp, crack, or rot
- 30 Year Limited Warranty
- Resistant to high wind, torrential rain, heavy snow and ice loads
- High quality and time proven painting and pretreatment technologies
- PVDF Coating System

APPLICATION:

- May be installed horizontally or vertically
- Ease of installation - can be applied directly to solid decking or open framing
- Typical applications include walls, ceilings, fascias, mansards, equipment screens, and soffits
- Metafor™ is also suitable for walkways, balconies, entrances, and vestibules

PERFORMANCE STANDARDS:

- Environmentally friendly – ENERGY STAR® qualified colors available. Contact ATAS for current color listings
- Tested in accordance with ASTM E 84 Flame Spread
- High reflectivity of panels which increases energy efficiency



SPECIFICATIONS:

SKU: MFX120 (convex), MFV120 (concave)

Material: .032 aluminum

Panel Coverage: 12"

Panel Length: Cut to customer specifications with a minimum of 4'-0", maximum to transportation limitations and/or product and project design considerations

Panel Height: 5/8"

Curve: Convex or Concave

Minimum Radius: 5'-9" (MFX120), 10'-0" (MFV120)

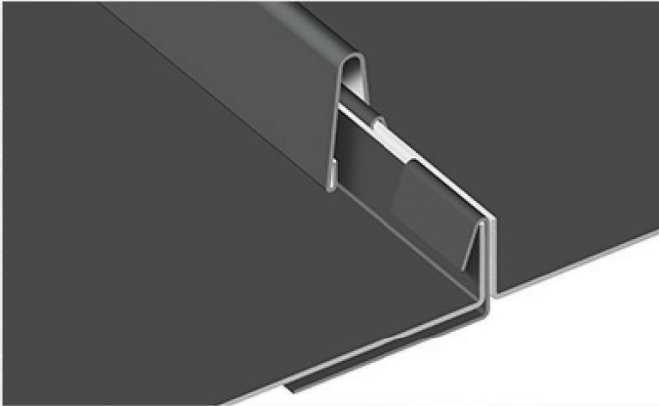
Texture: Embossed, Smooth

Finish: Kynar 500® PVDF or Hylar 5000® PVDF

Colors: Choice of over 30 stock colors

Anodized: Clear Satin or Dark Bronze

Accessories: A complete line of trims available in matching colors, gauge, and finish or as specified.

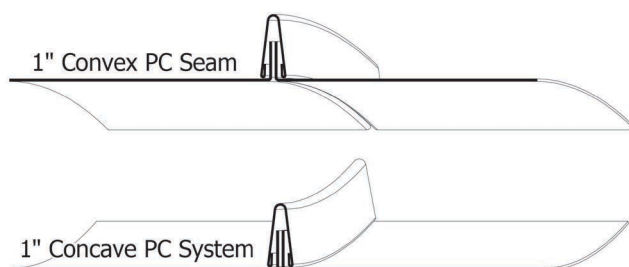


APPLICATION:

- Precision leveling prior to forming
- Fasteners and clips allow panel to float without causing stress
- Two-part system that consists of the flat panel and a separate seam
- Seam is snapped over the clips, concealing the fastening system
- Ease of installation - can be applied directly to solid decking

PERFORMANCE STANDARDS:

- Environmentally friendly – ENERGY STAR® qualified colors available. Contact ATAS for current color listings
- Tested in accordance with UL 790/ASTM E 108, UL 580, ASTM E 283, ASTM E 331, UL 2218, ASTM E 84 Flame Spread
- MCA Roofing Certification - Premium Painted
- High reflectivity of panels which increases energy efficiency



CURVED PC™ SYSTEM DESIGN ADVANTAGES:

Seam is snapped over the clips, concealing the fastening system.

Mix and match colors of the flat panel and standing seam.



SPECIFICATIONS:

SKU: PCX (convex), PCV (concave)

Material: .032 or .040 aluminum, 24 ga. metallic coated steel, 16 oz. copper*

Panel Coverage: 11 ¼", 12 5/8", 14 5/8"* , 15 ¼"

Panel Length: Cut to customer specifications with a minimum of 3'-0", maximum to transportation limitations and/or product and project design considerations

Seam Height: 1" (Batten not available)

Curve: Convex or Concave

Minimum Radius: 2'-9" (PCX), 4'-0" (PCV)

Texture: Embossed, Smooth

Finish: Kynar 500® PVDF or Hylar 5000® PVDF

Colors: Choice of over 30 stock colors

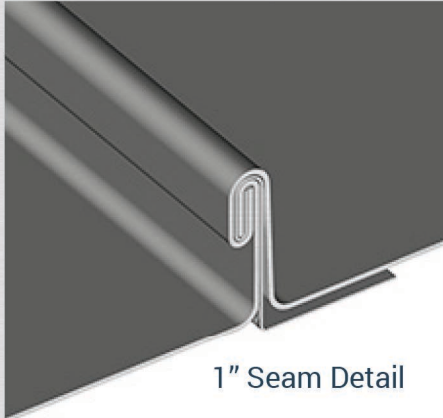
Anodized: Clear or Dark Bronze

Accessories: A complete line of trims available in matching colors, gauge, and finish or as specified.

Minimum Slope: 3:12

*Copper and Dark Bronze Anodized only

CURVED STANDING SEAM



1" Seam Detail



1 1/2" Seam Detail

A convex panel with concealed clip and fastener system, Curved Standing Seam panels are ideal for roofing, special accents, or over entrances and walkways.

CURVED STANDING SEAM DESIGN ADVANTAGES:

Mechanically seamed in the field, this double locked roof panel provides a traditional standing seam appearance.

APPLICATION:

- Typical applications include mansards, entry ways, commercial and residential roofing
- Installed vertically from eave to ridge
- Seam and lock are an integral part of the panel – no blow-offs or creeping of the seam

PERFORMANCE STANDARDS:

- Environmentally friendly – ENERGY STAR® qualified colors available. Contact ATAS for current color listings
- Tested in accordance with UL 790/ASTM E 108, UL 580, PA 100-95 (R&D only), UL 2218, ASTM E 84 Flame Spread, ICBO AC 166 Penetration
- MCA Roofing Certification - Premium Painted
- Meets all specifications for International Building Code
- High reflectivity of panels which increases energy efficiency



SPECIFICATIONS:

SKU: FLX

Gauge: .032 aluminum, 24, 22* ga. metallic coated steel, 24 ga. 55% Al-Zn alloy coated steel with acrylic coating, 16, 20 oz. copper*

Panel Coverage: 1" high: 13 1/2", 17 1/2", 21 3/4"

1 1/2" high: 12 1/2", 16 1/2", 20 3/4" (Plank ribs standard, specify without)

Panel Length: Cut to customer specifications with a minimum of 4'-0", maximum to transportation limitations and/or product and project design considerations

Seam Height: 1" or 1 1/2"

Curve: Convex

Minimum Radius: 8'-0" (aluminum), 12'-0" (steel)

Texture: Smooth

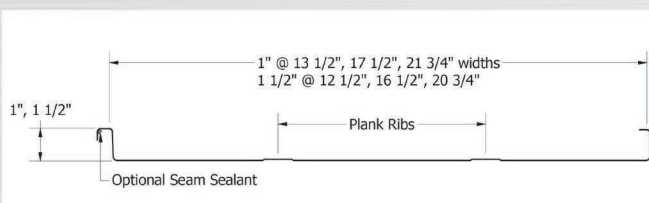
Finish: Kynar 500® PVDF or Hylar 5000® PVDF

Colors: Choice of over 30 stock colors

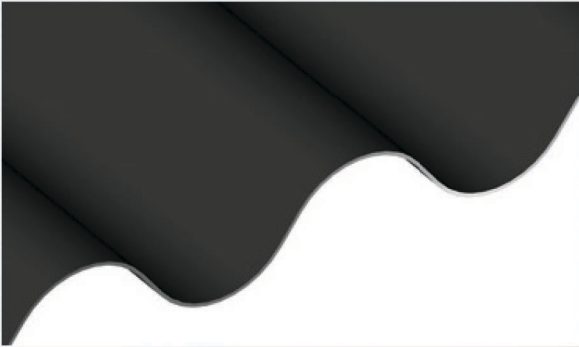
Accessories: A complete line of trims available in matching colors, gauge, and finish or as specified.

Minimum Slope: 2:12 depending on climate conditions

*Subject to minimum quantities and longer lead time. Inquire for availability.



An exposed fastener system featuring aesthetically pleasing curves in both the profile and overall panel.



CURVED CORRUGATED PANEL DESIGN ADVANTAGES:

37 1/4" wide coverage and can be curved convex or concave

APPLICATION:

- Typical applications include walls, mansards, and equipment screens
- Horizontal and vertical applications (horizontal convex and concave styles must be machine curved, while vertical styles are simple wrap-arounds, overlapping or nesting at sides)

PERFORMANCE STANDARDS:

- Environmentally friendly – ENERGY STAR® qualified colors available. Contact ATAS for current color listings
- Tested in accordance with UL 790/ASTM E 108, ASTM E 84 Flame Spread



SPECIFICATIONS:

SKU: BWX374 (convex), BWV374 (concave)

Material: 0.8*, 1.0*, 1.5* mm zinc

.032, .040, .050 aluminum,

24, 22*, 20* ga. metallic coated steel,

24, 22*, 20* ga. 55% Al-Zn alloy coated steel with acrylic coating

Panel Coverage: 37 1/4", 29 3/8" (curved zinc panels)

Panel Length: Cut to customer specifications with a minimum of 6'-0", maximum to transportation limitations and/or product and project design considerations

Seam Height: 7/8"

Curve: Convex or Concave

Minimum Radius: 10'-0"

Texture: Embossed, Smooth

Finish: Kynar 500® PVDF or Hylar 5000® PVDF

Colors: Choice of over 30 stock colors

Anodized: Clear, Dark Bronze

Accessories: A complete line of trims available in matching colors, gauge, and finish or as specified.

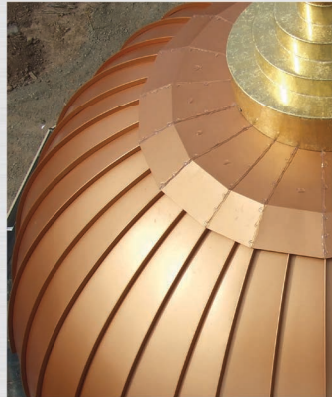
*Subject to minimum quantities and longer lead time. Inquire for availability.



UNIQUE CUSTOM FABRICATION

ATAS has the capability to provide curved and tapered panel profiles to accommodate the most unique projects.

PC System: Coppertone



PC System: Forest Green



Dutch Seam, Tapered Field-Lok, & PC System: Champagne



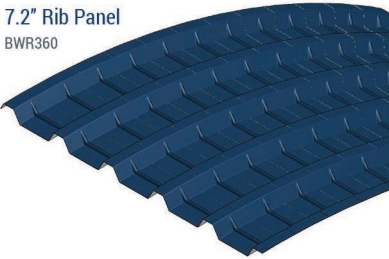


The ATAS crimp curving process increases the strength and rigidity of metal panels. When you design with curved panels, it's often possible to reduce panel gauge and/or the amount or type of structural support, saving material and labor.

Find more information at www.atas.com

Crimp curving available on the following ATAS profiles:

7.2" Rib Panel
BWR360

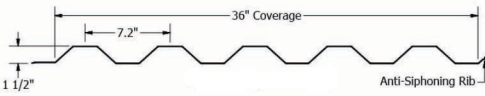


Material: .040, .050 aluminum, 24, 22*, 20* ga. metallic coated steel, 24, 22*, 20* ga. 55% Al-Zn alloy coated steel with acrylic coating


Panel Coverage: 36"

Panel Length: Cut to customer specifications with a minimum of 6'-0", maximum to transportation limitations and/or product and project design considerations

Panel Depth: 1 1/2"



Span Wall
BWS240

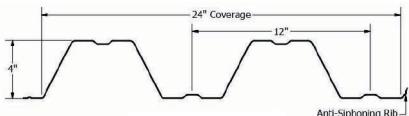


Material: .032, .040, .050 aluminum, 24, 22*, 20* ga. metallic coated steel, 24, 22*, 20* ga. 55% Al-Zn alloy coated steel with acrylic coating

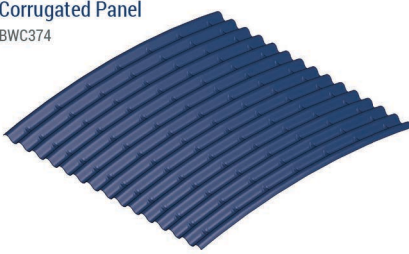
Panel Coverage: 24"

Panel Length: Cut to customer specifications with a minimum of 9'-0", maximum to transportation limitations and/or product and project design considerations

Panel Depth: 4"



Corrugated Panel
BWC374




Material: 0.8*, 1.0* 1.5* mm zinc .032, .040, .050 aluminum, 24, 22*, 20* ga. metallic coated steel, 24, 22*, 20* ga. 55% Al-Zn alloy coated steel with acrylic coating, 16*, 20* oz copper

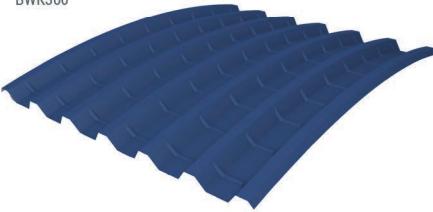
Panel Coverage: 37 1/4", 29 3/8" (curved zinc panels)

Panel Length: Cut to customer specifications with a minimum of 6'-0", maximum to transportation limitations and/or product and project design considerations

Panel Depth: 7/8"



6" Short Rib
BWK360

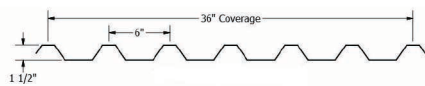


Material: .032, .040 aluminum 24, 22*, 20* ga. metallic coated steel 24, 22*, 20* ga. 55% Al-Zn alloy coated steel with acrylic coating

Panel Coverage: 36"

Panel Length: Cut to customer specifications with a minimum of 6'-0", maximum to transportation limitations and/or product and project design considerations

Panel Depth: 1 1/2"



Texture: Embossed, Smooth | Finish: Kynar 500® PVDF or Hylar 5000® PVDF | Colors: Choice of over 30 stock colors | Anodized: Clear, Dark Bronze | Accessories: A complete line of trims available in matching colors, gauge, and finish or as specified.

*Subject to minimum quantities and lead time. Inquire for availability.

Color Chart

STOCK COLORS (PVDF FINISH)



Black (02)



Forest Green (11)



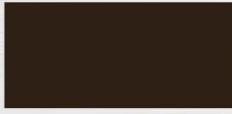
Chocolate Brown (04)



Sierra Tan (09)



Regal Blue (18)



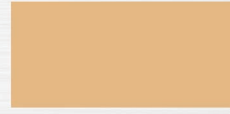
Classic Bronze (01)



Teal (19)



Boysenberry (25)



Rawhide (15)



Slate Blue (21)



Medium Bronze (03)



Hemlock Green (30)



Redwood (07)



Concord Cream (05)



Rocky Grey (16)



Hartford Green (27)



Patina Green (12)



Mission Red (08)



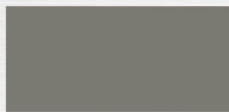
Almond (36)



Siam Blue (14)



Charcoal Grey (62)



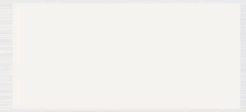
Slate Grey (20)



Dove Grey (13)



Sandstone (06)

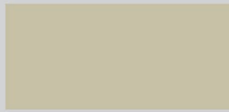


Bone White (26)

PREMIUM (PVDF FINISH)



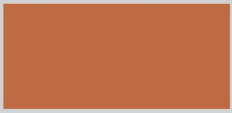
Antique Patina (24)



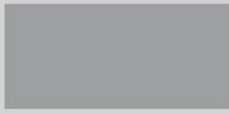
Champagne (31)



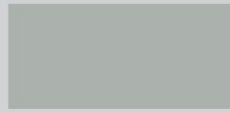
Brite Red (17)



Coppertone (23)



Silversmith (28)

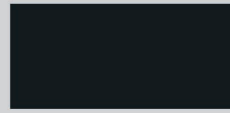


Titanium (35)

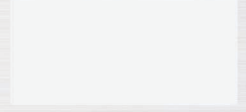
PREMIUM (ANODIZED)



Clear Satin Anodized (70)

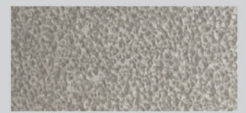


Dark Bronze Anodized (71)



Ascot White (10)

ACRYLIC COATED



Acrylic Coated Galvalume (97)

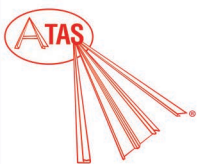
For current SRI values and agency listings, or to order color chips, please refer to our online color chart: www.atas.com/colors



THE ATAS DIFFERENCE

Arc-Metafor™ roll former with in line leveler

- Stationary machine
- Controlled environment
- 20 forming stations
- In line precision leveling



ATAS International, Inc.

Allentown, PA | Mesa, AZ

610.395.8445 | www.atas.com | info@atas.com

© 2018 ATAS International, Inc.

Contact ATAS for more information. ATAS reserves the right to modify, eliminate and/or change its products without prior notification.

LR00718 LAT330

Arc-Metafor™ is a trademark of ATAS International, Inc. Kynar 500® PVDF is a registered trademark of Arkema. Hylar 5000® PVDF is a registered trademark of Solvay Solexis, Inc.

ATAS' professional staff is able to assist in the design or provide shop drawings for your project. Final choice of materials and installation is the responsibility of the owner, architect and/or the owner's agent. ATAS International, Inc. cannot be held responsible for the ultimate selection or the installation of those materials. Due to slight stress in metal materials and substrates to which metal panels are applied, installed panels may exhibit a perceived waviness in the flat areas of the panel. Commonly the period and amplitude of the waviness is dependent upon the continuous flat width of the panel. This condition is beyond the control of ATAS and consequently this perceived waviness or "oil canning" of the product is not a valid reason for rejection of materials. (Refer to ASTM E 1514, ASTM E 1637 and Metal Construction Association Technical Bulletin 1060 for further clarification). ATAS reserves the right to modify, eliminate and/or change its products without prior notification. ATAS cannot be held responsible for errors in line drawings and typesetting. Inquire for availability. Colors are as close to the actual colors as modern printing allows. Exact color chips on request; this is a requirement for all premium colors. If you have requirements or preference for colors or finishes other than shown, contact ATAS. Color availability varies by material, gauge and profile. ATAS is not responsible for colors selected from this chart. Contact ATAS for more information.



One monthly email.
One-minute sign-up.
Endless knowledge.