

Coping System

- Continuous Cleat Coping
- Rapid-Lok Coping
- Rapid-Lok SL Coping
- Rapid-Lok Ultra Coping

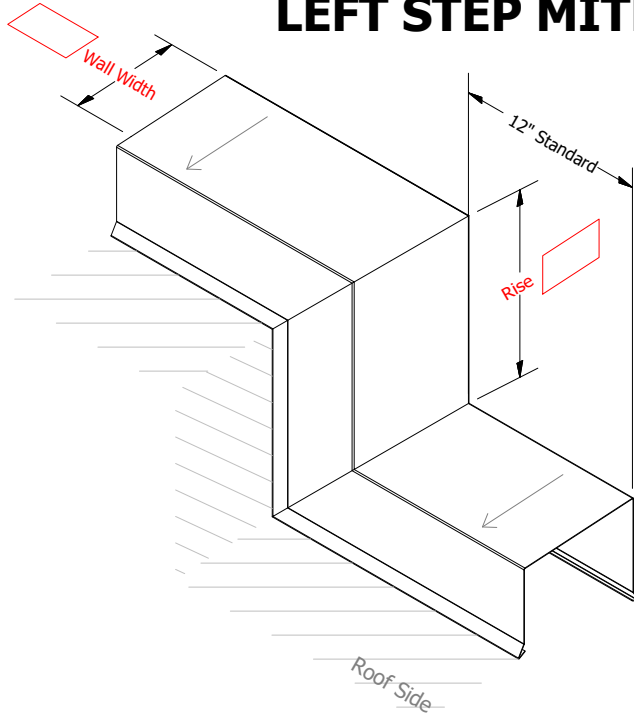
Accessory Type

- Pre-Finished, Fabricated and Sealed
- Welded and Post-Finished *050 & 063 Alum only

Materials:

- 24 Ga Steel
- 22 Ga Steel
- 0.040 Aluminum
- 0.050 Aluminum
- 0.063 Aluminum
- Other: _____
- Color: _____
- Finish: _____

LEFT STEP MITER QTY: _____

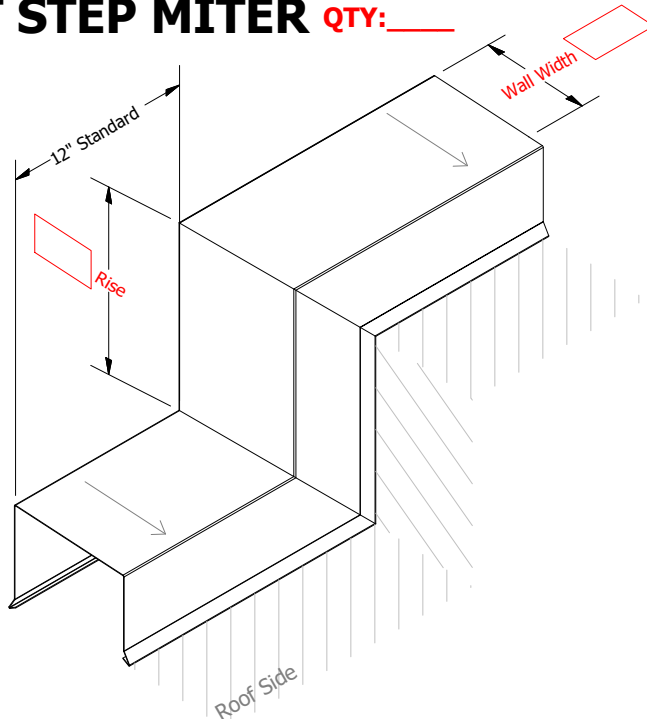


Additional Notes:

Front Face Dimension(C): _____
*see product spec sheet for more information

Back Face Dimension: _____
*see product spec sheet for standard sizes

RIGHT STEP MITER QTY: _____



Additional Notes:

Front Face Dimension(C): _____
*see product spec sheet for more information

Back Face Dimension: _____
*see product spec sheet for standard sizes